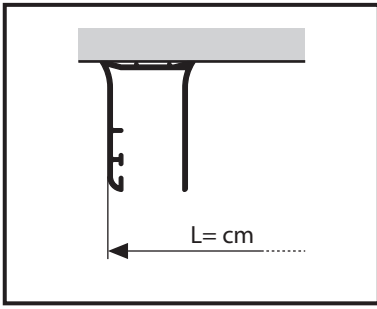
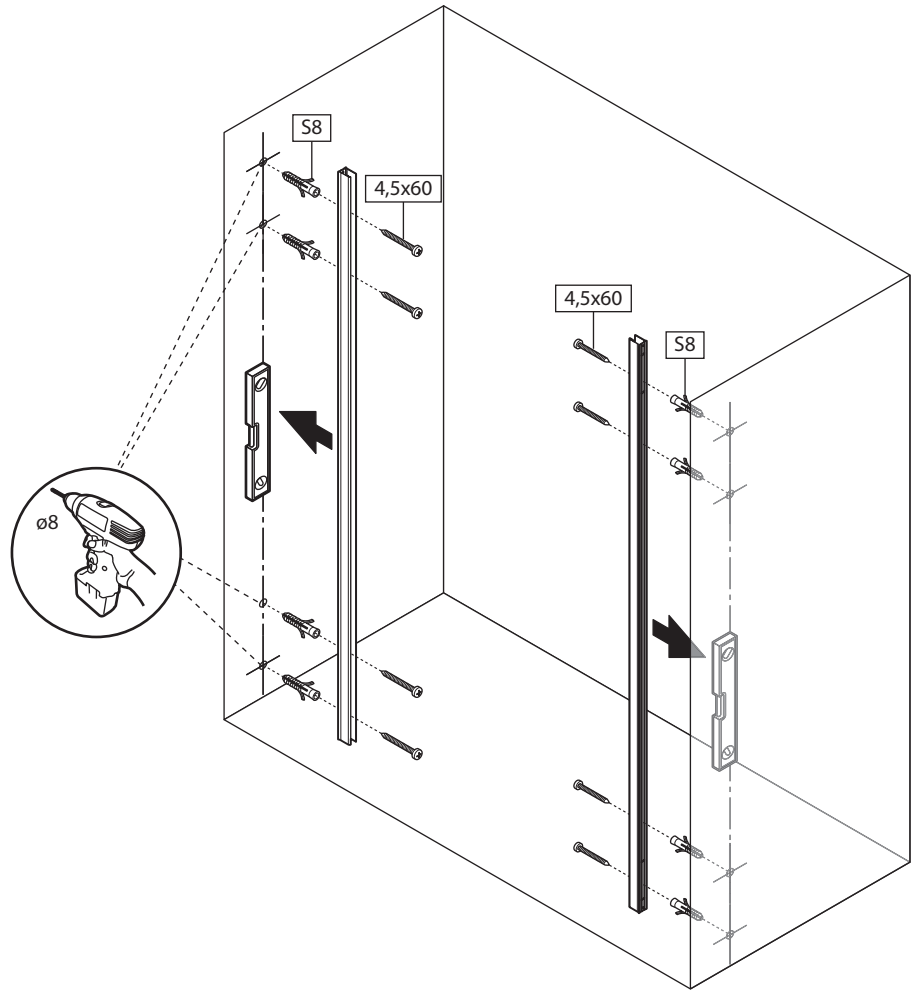
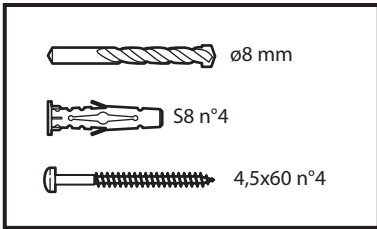


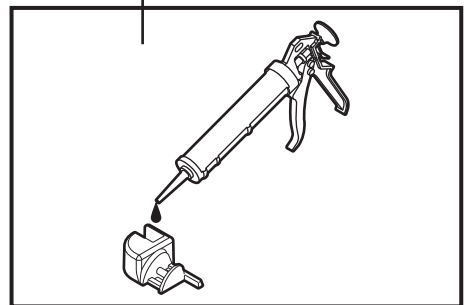
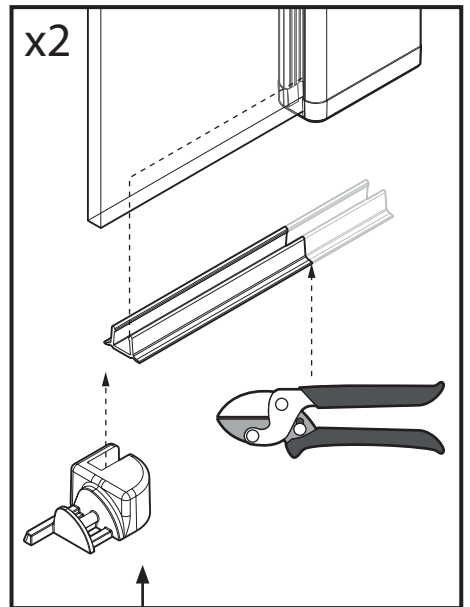
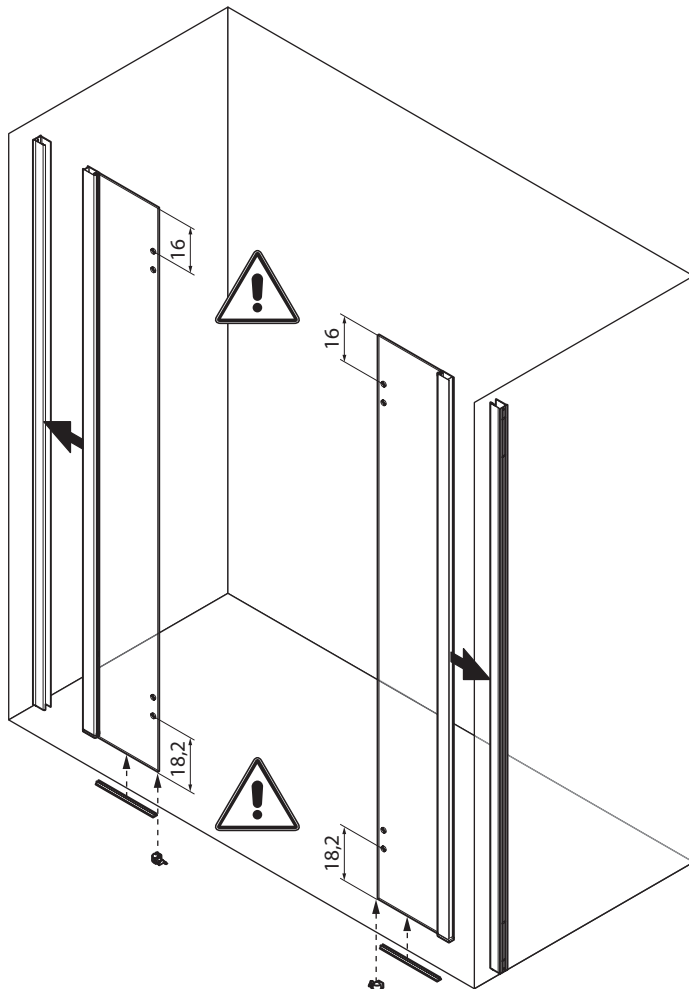
2A150	L=146-152 cm
2A160	L=156-162 cm
2A170	L=166-172 cm
2A180	L=176-182 cm
2A190	L=186-192 cm



2A150	L=146-152 cm
2A160	L=156-162 cm
2A170	L=166-172 cm
2A180	L=176-182 cm
2A190	L=186-192 cm

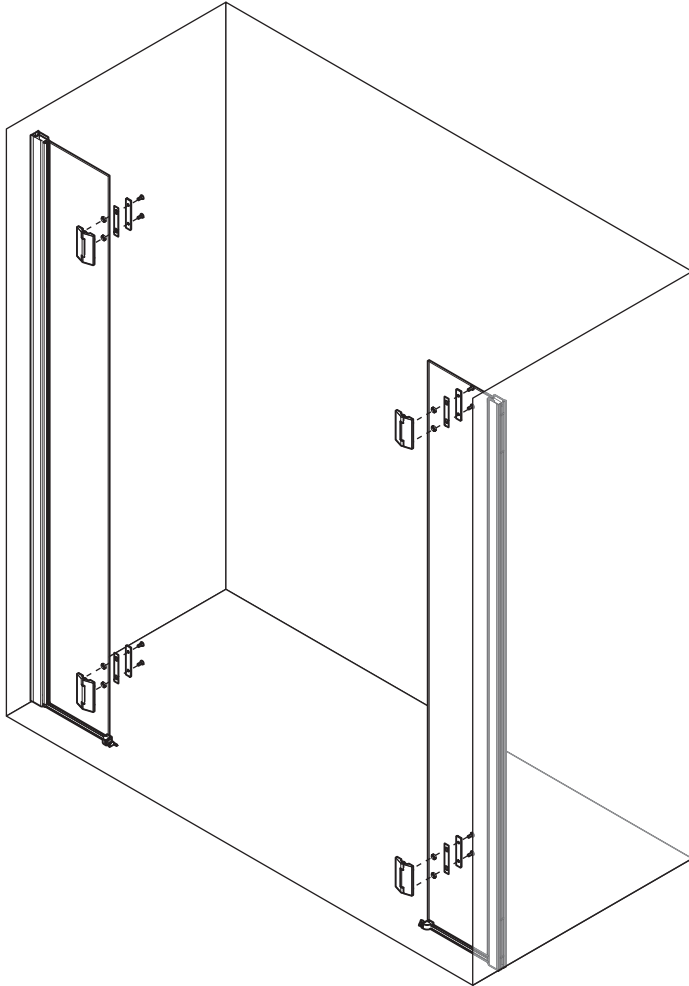


2

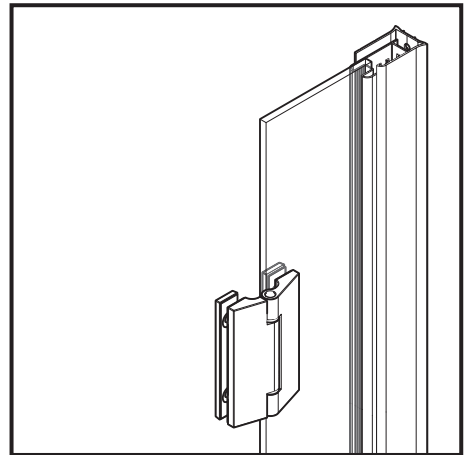
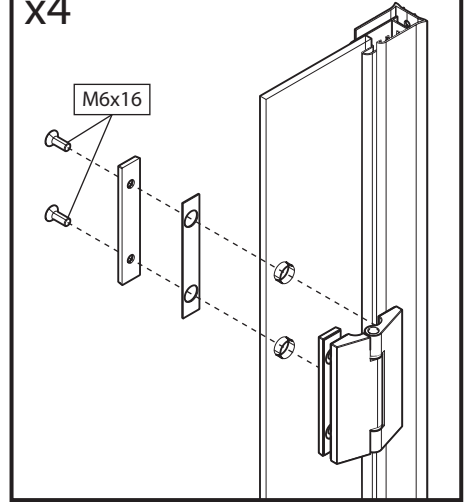


3

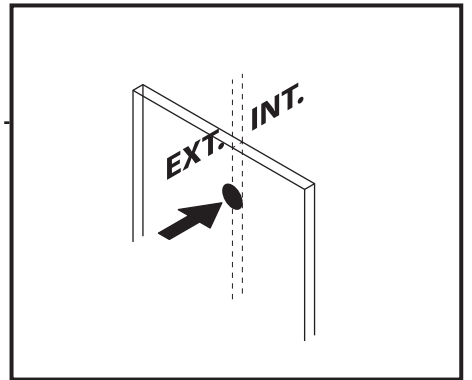
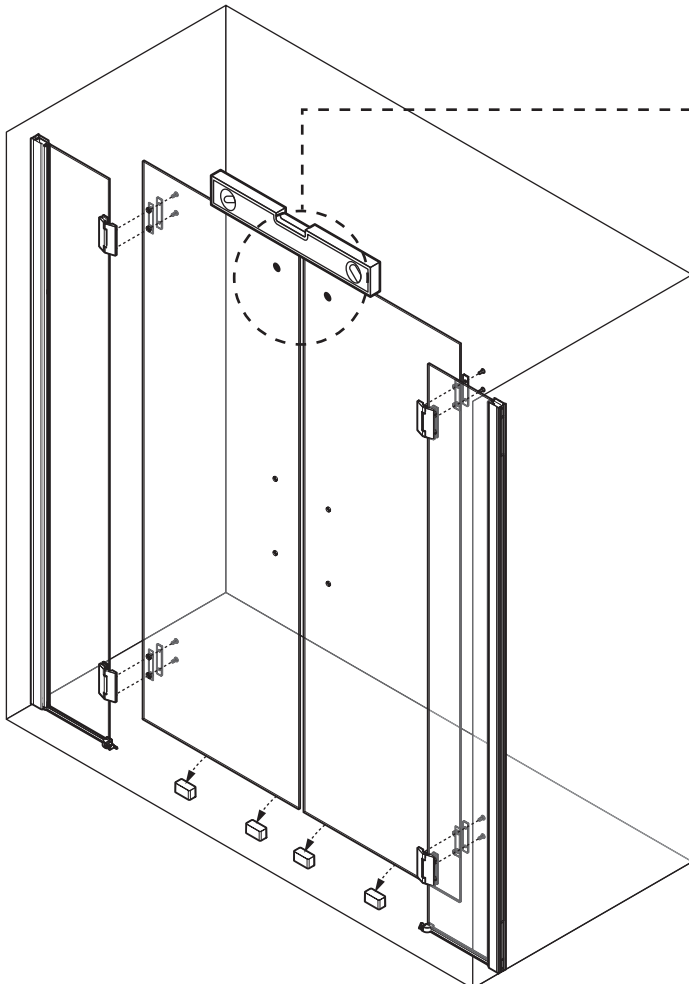
3



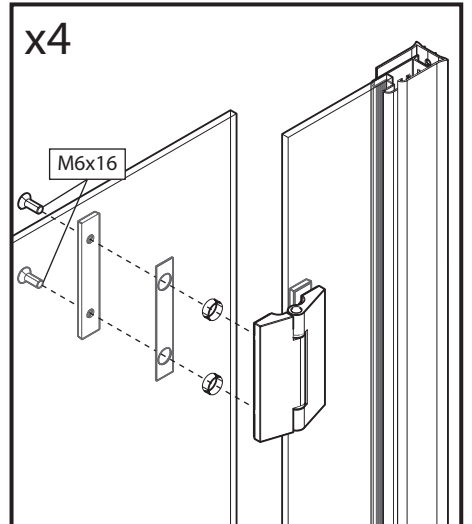
x4



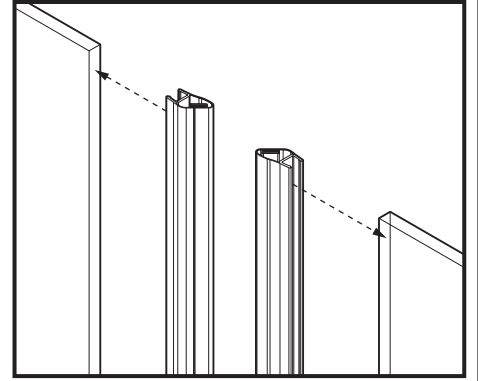
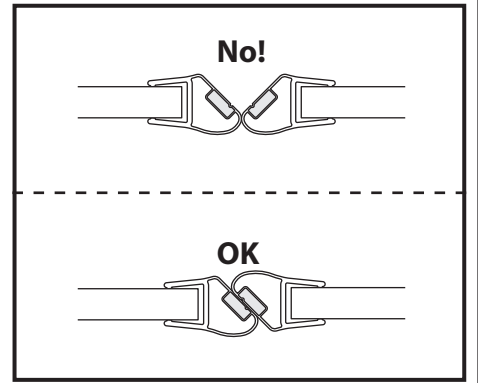
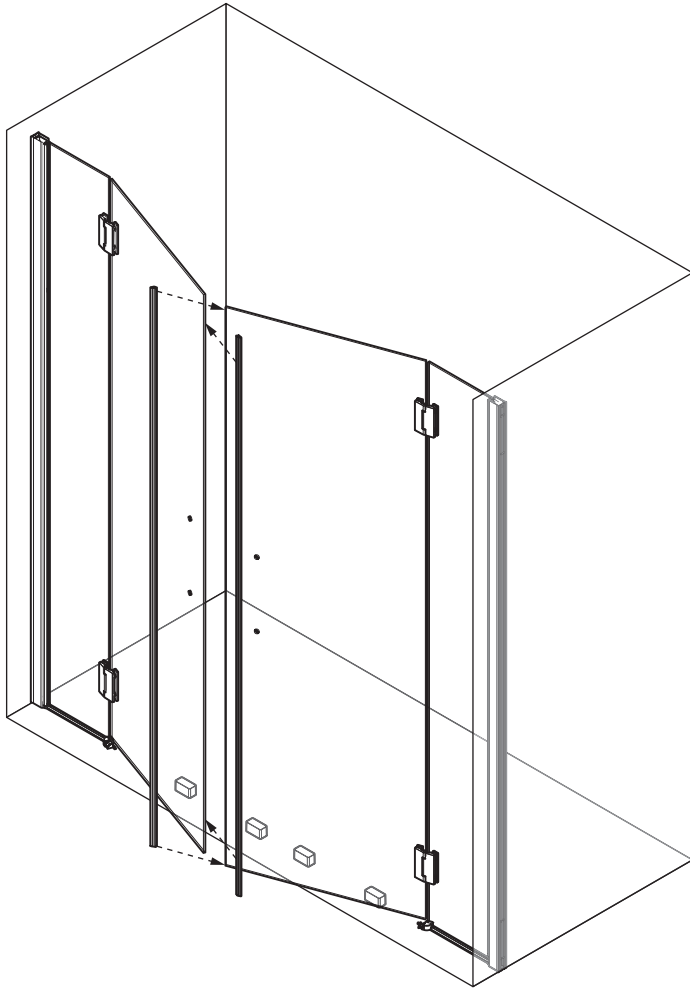
4



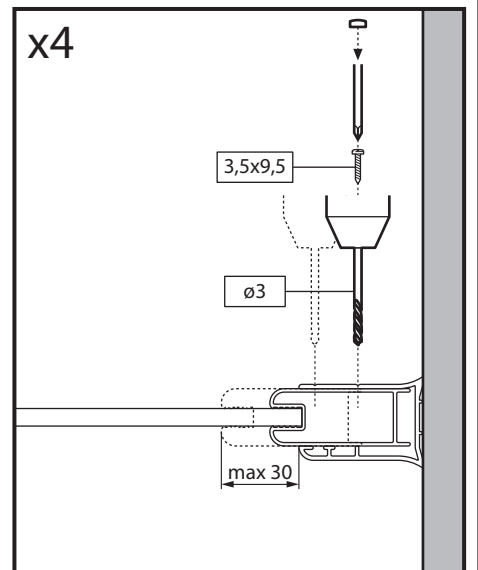
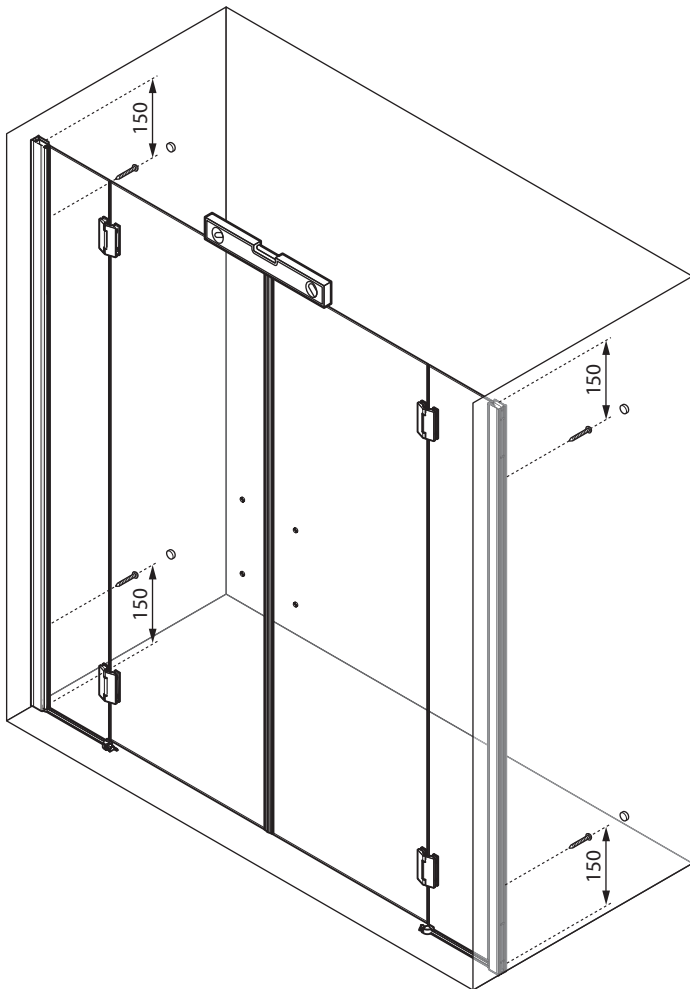
x4



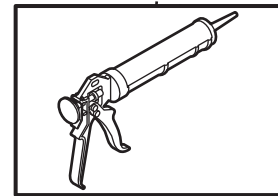
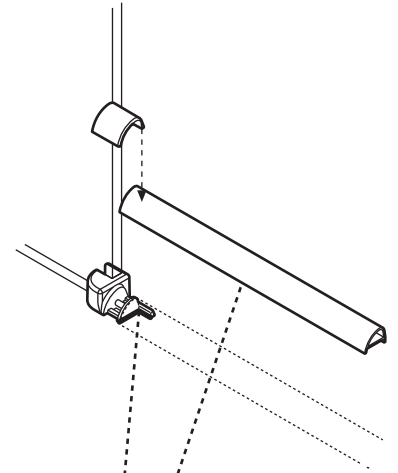
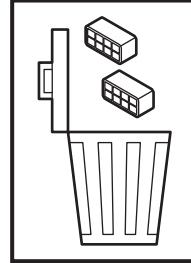
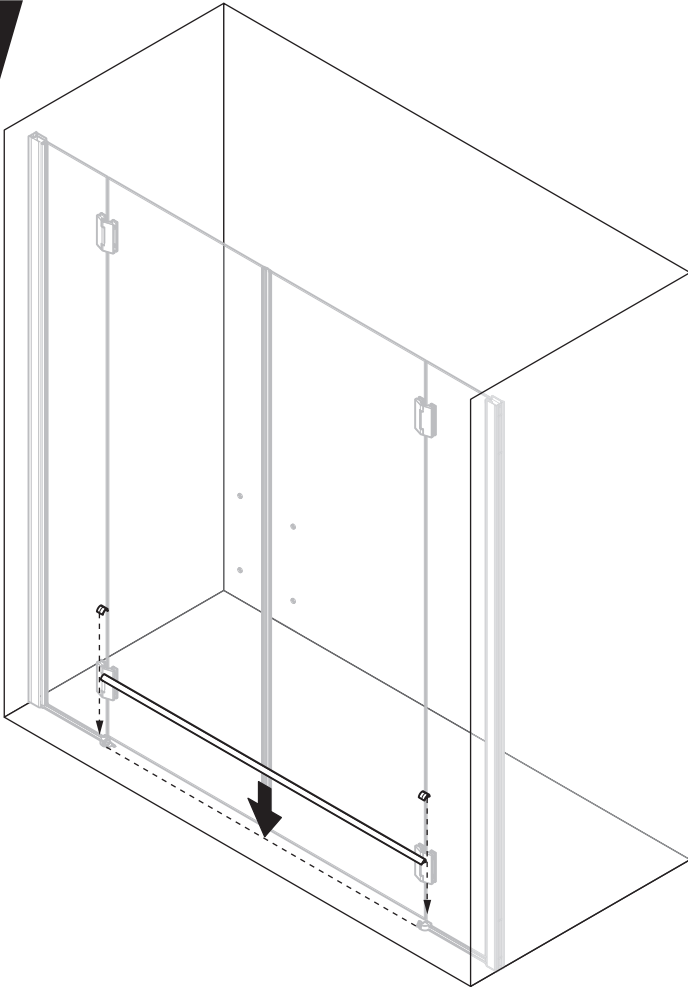
5



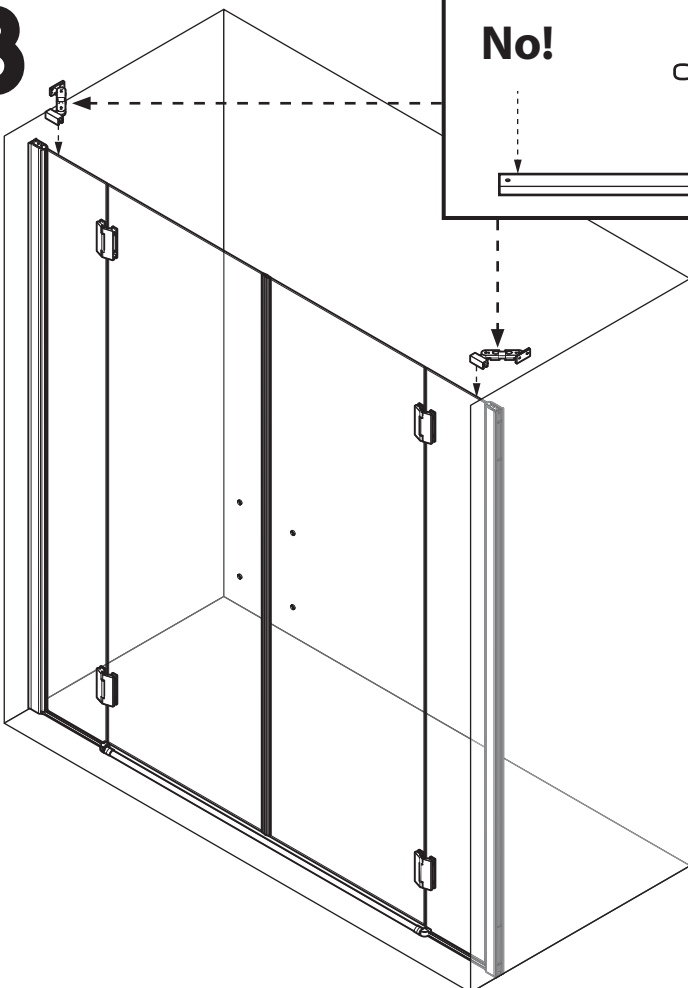
6



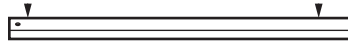
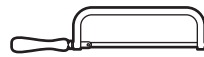
7



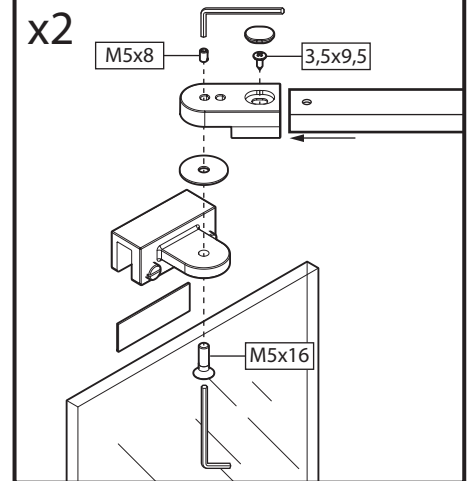
8



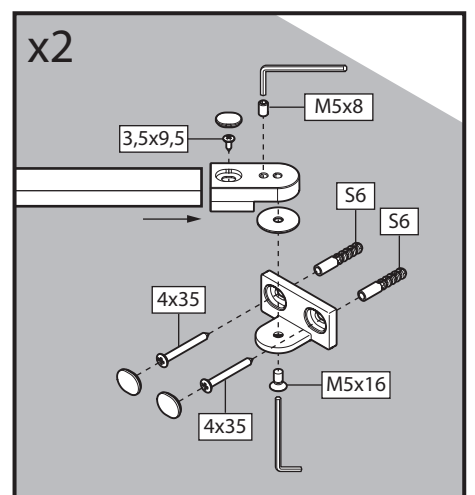
No!



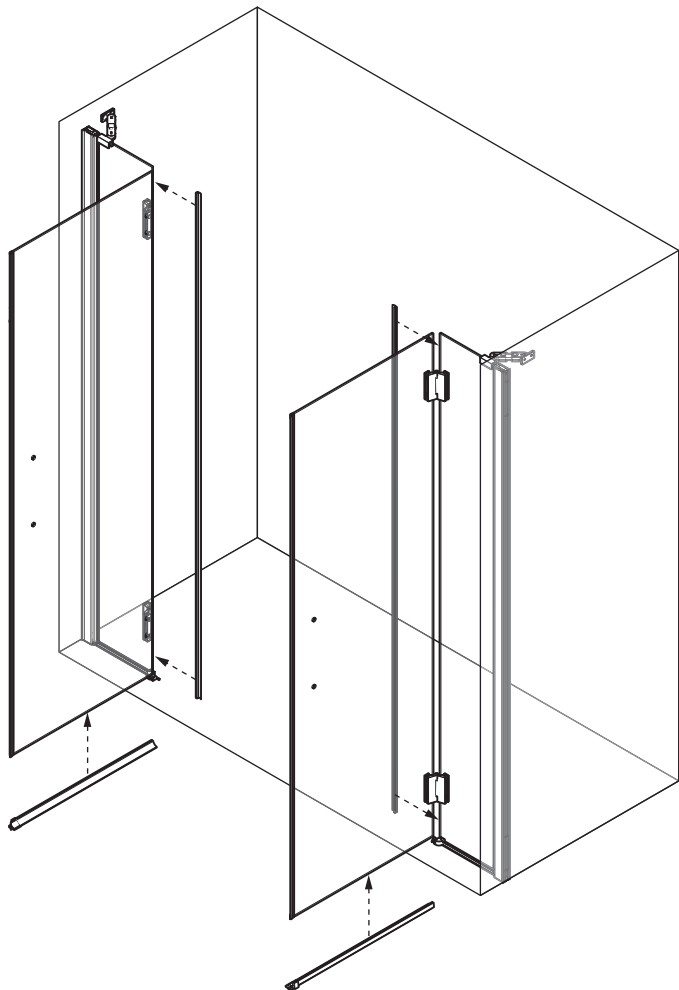
x2



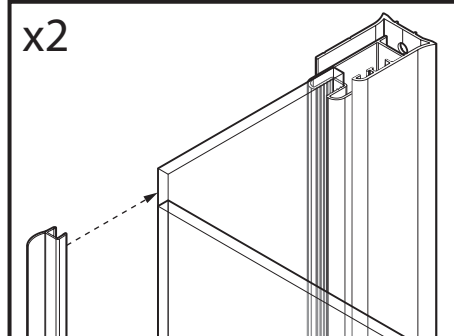
x2



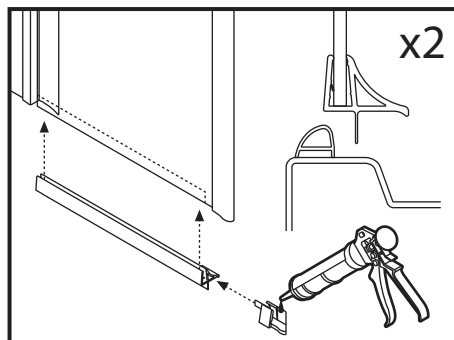
9



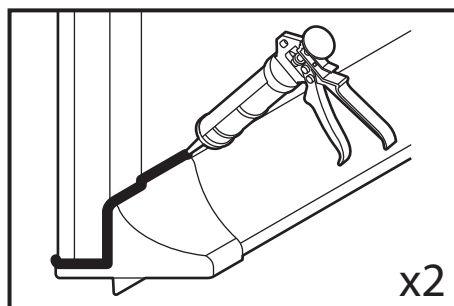
x2



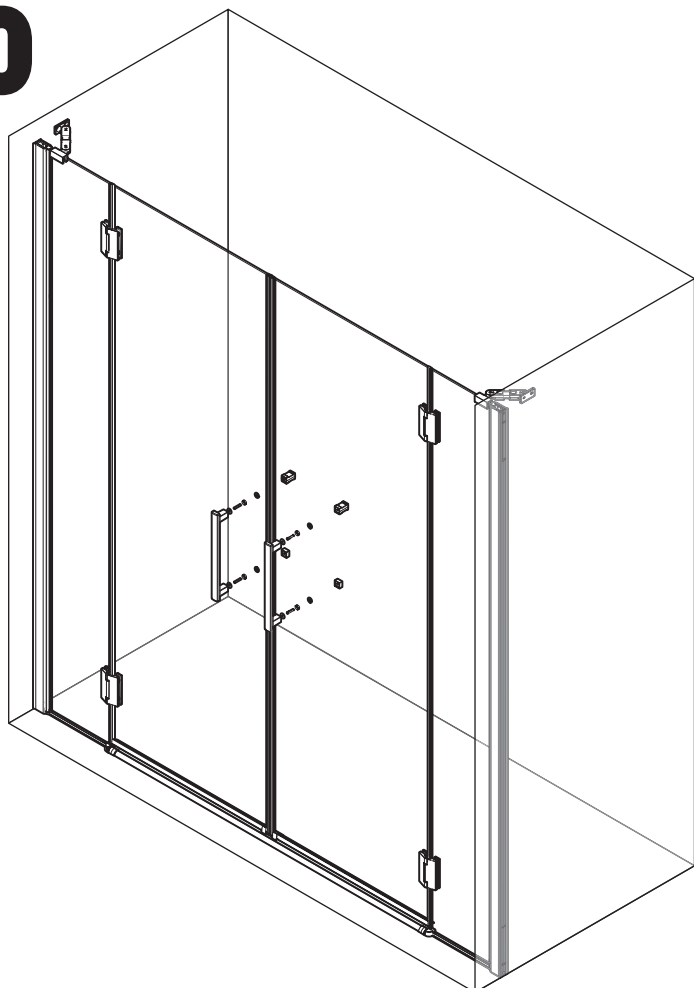
x2



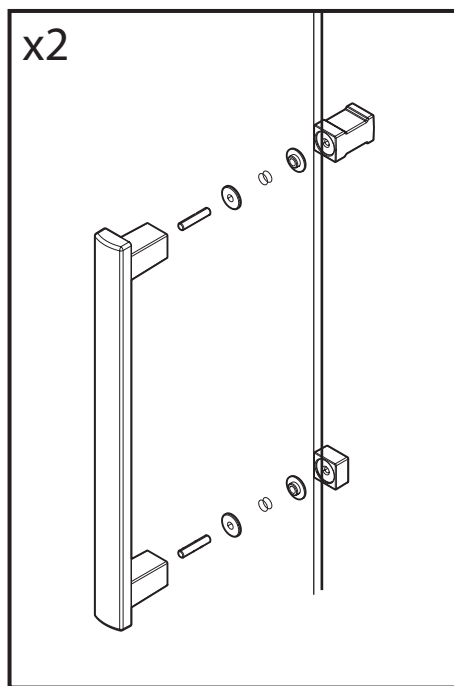
x2



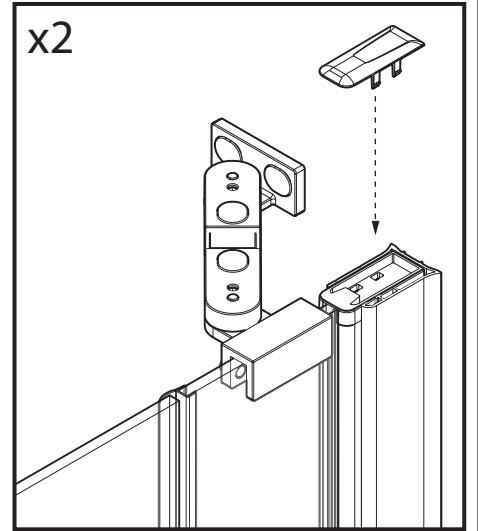
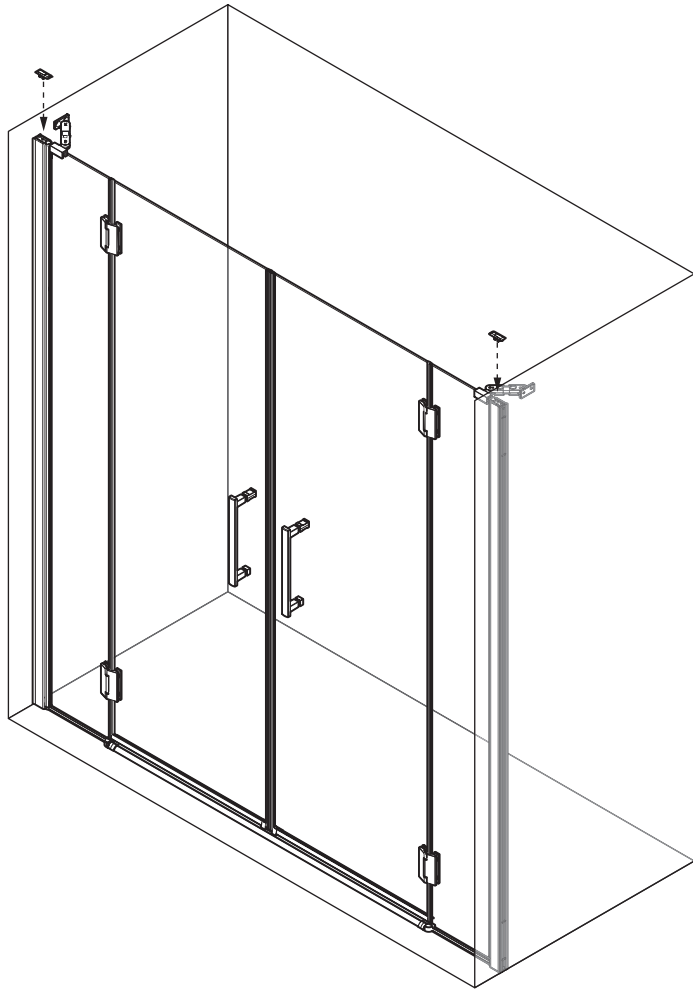
10



x2



11



12

