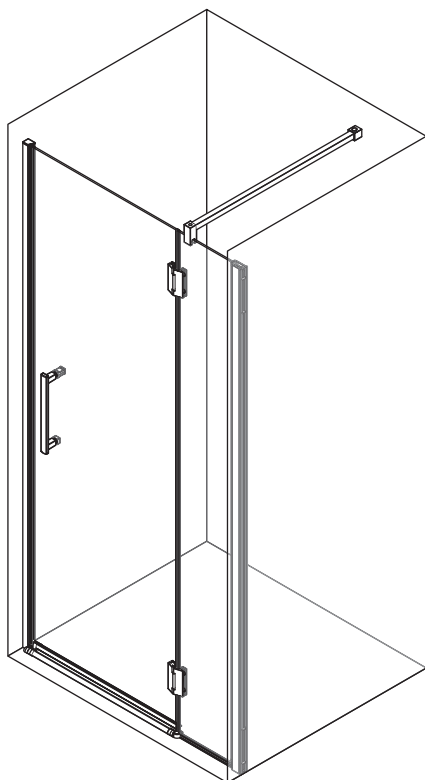
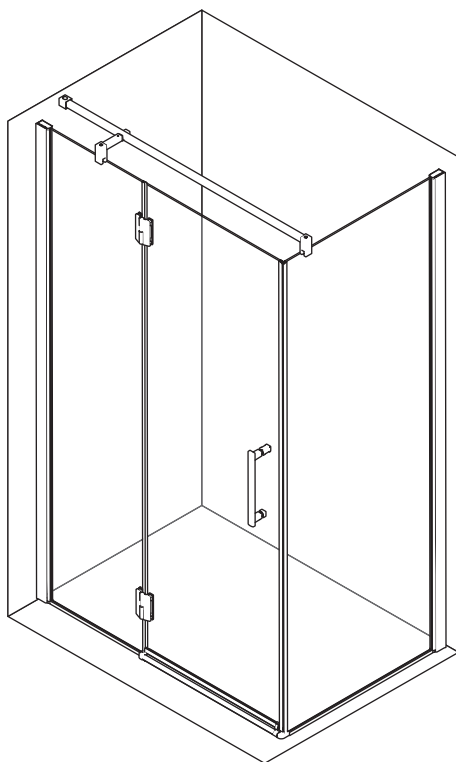
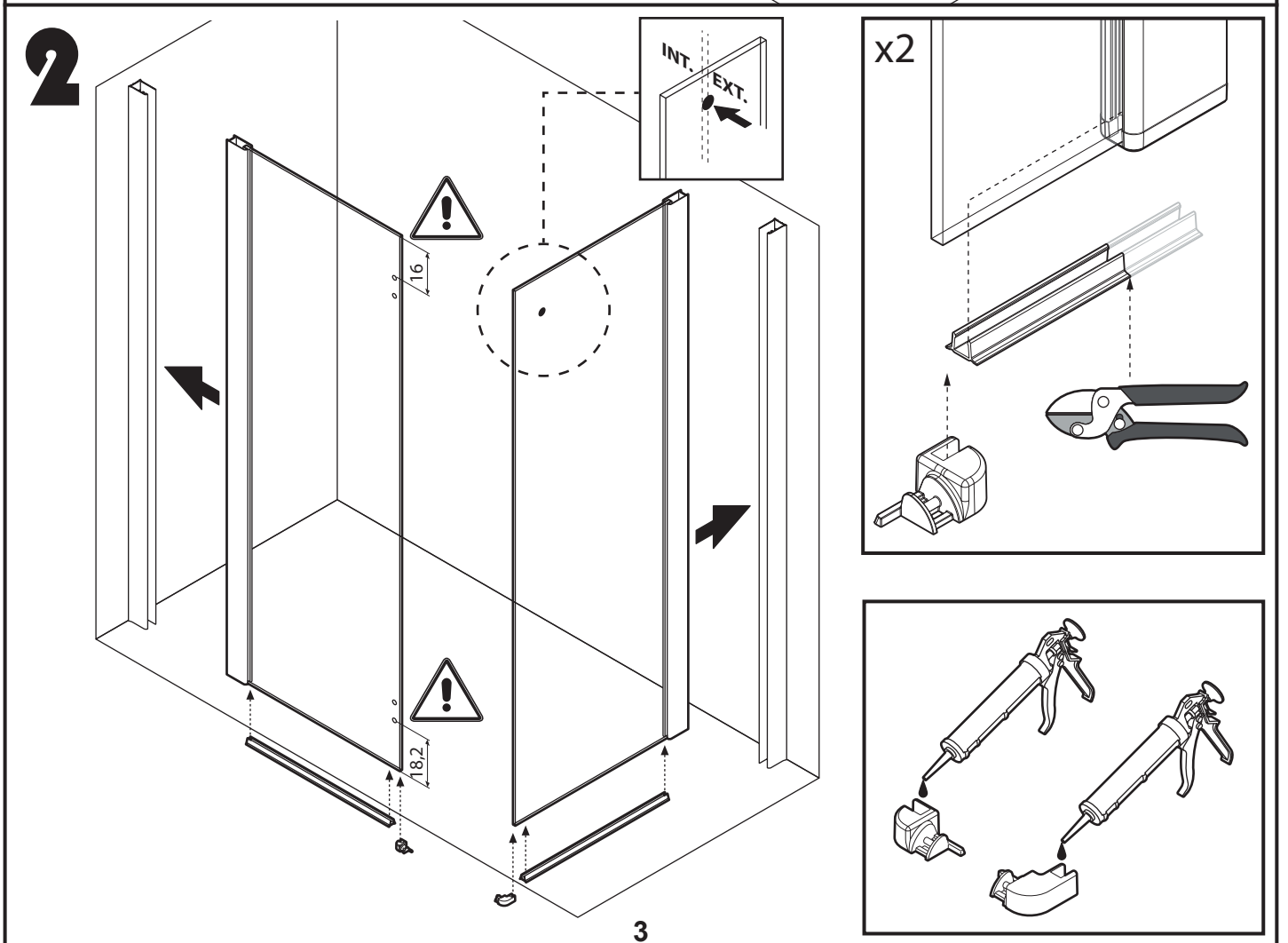
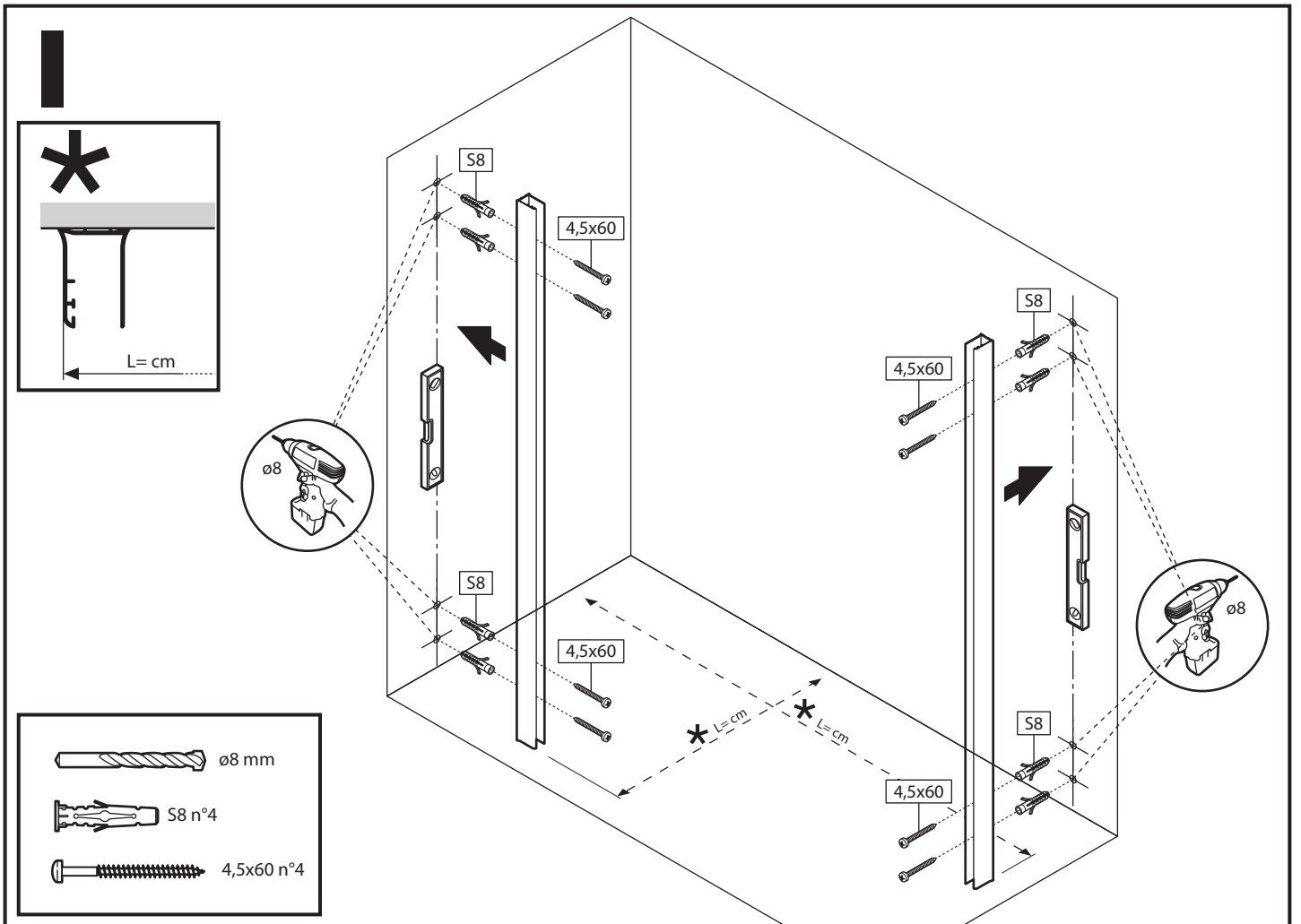


MODULO

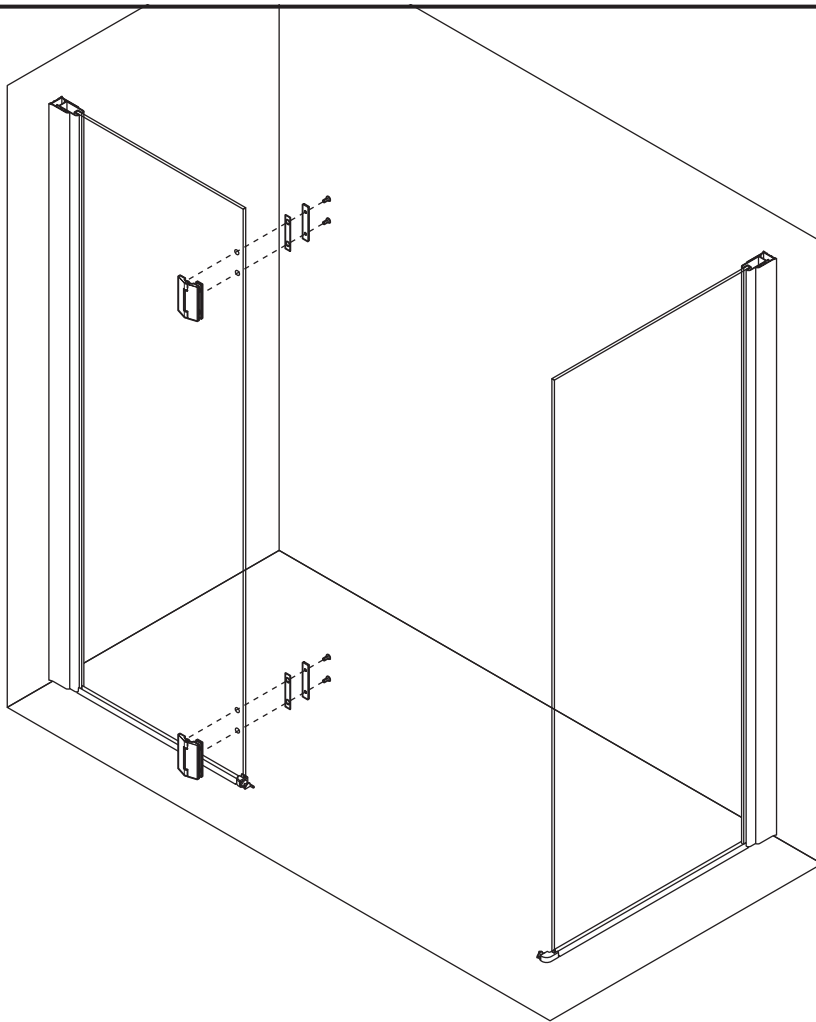
G



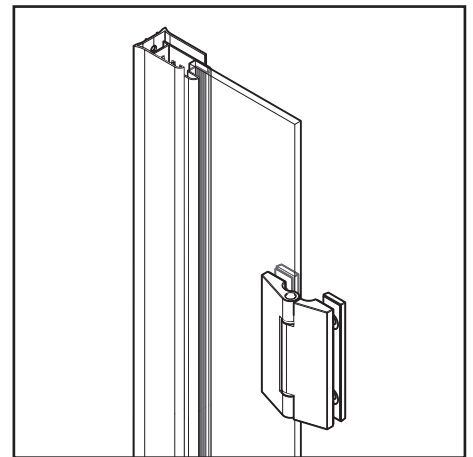
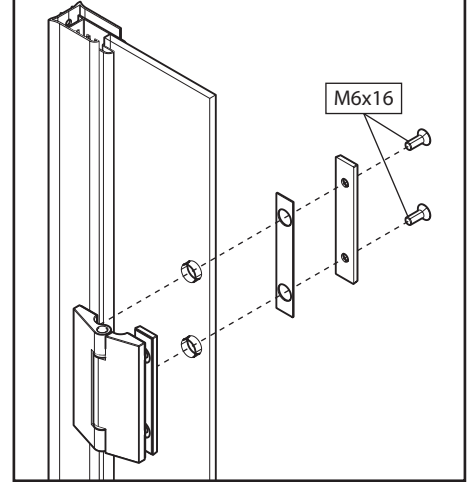
<hr/> <hr/> <hr/> <hr/>	<hr/> <hr/> <hr/> <hr/>
-------------------------	-------------------------



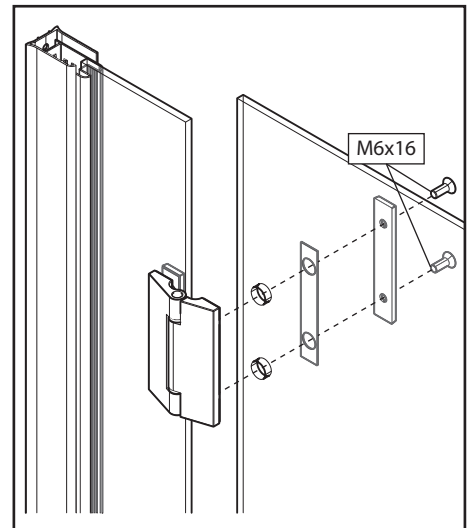
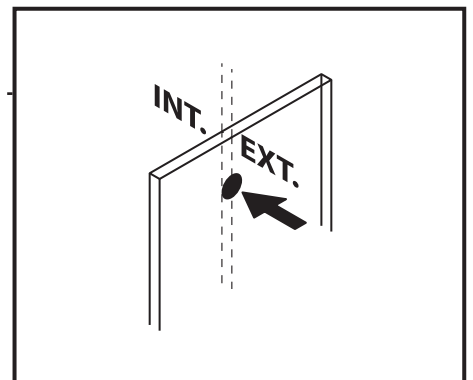
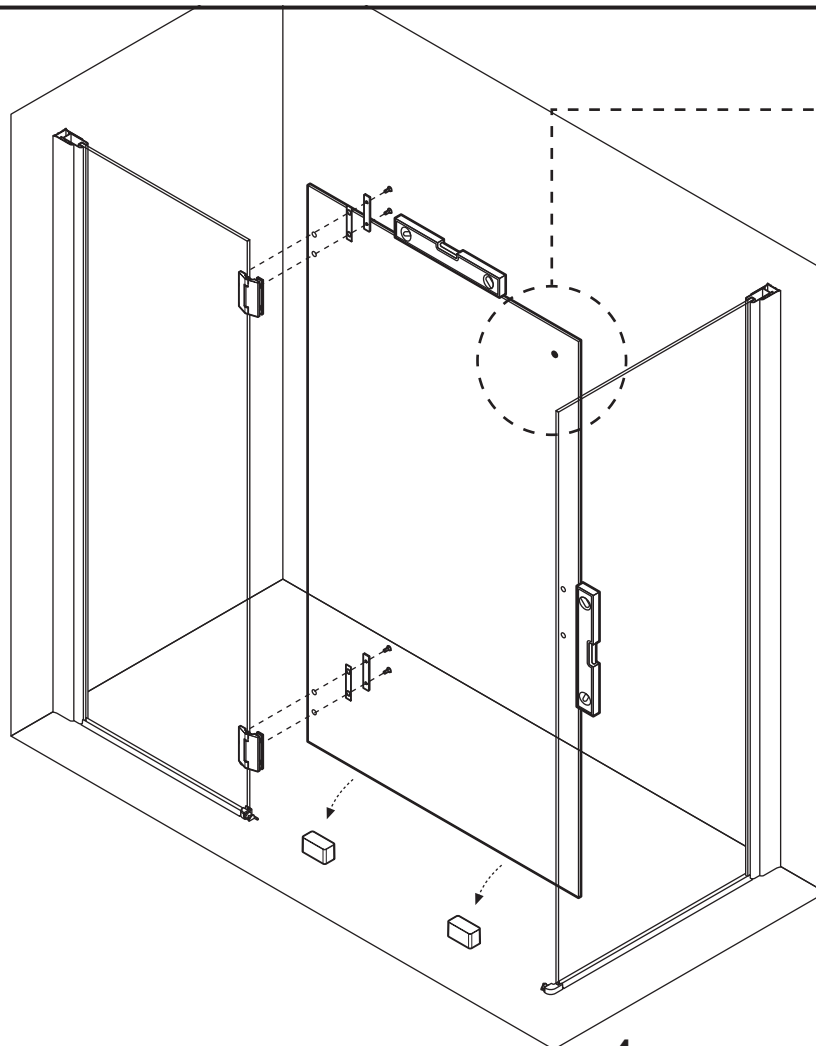
3



x2

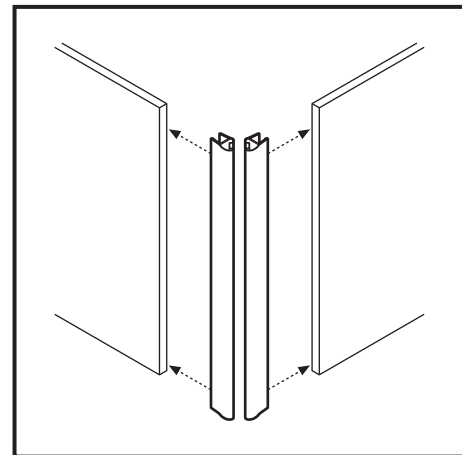
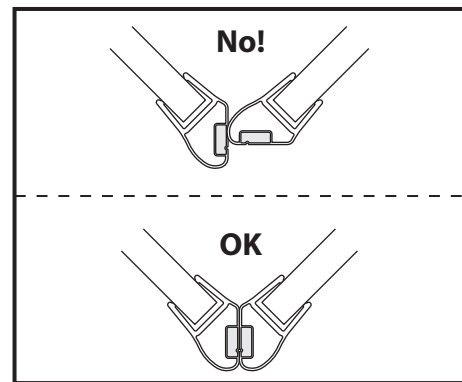
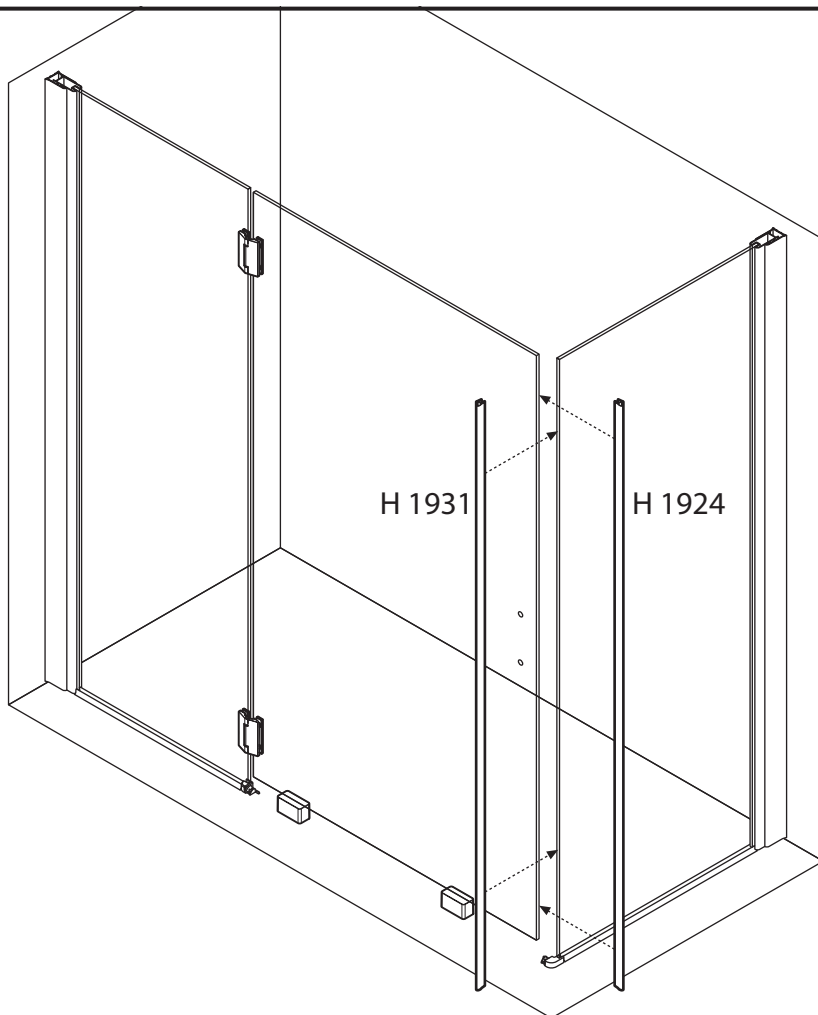


4

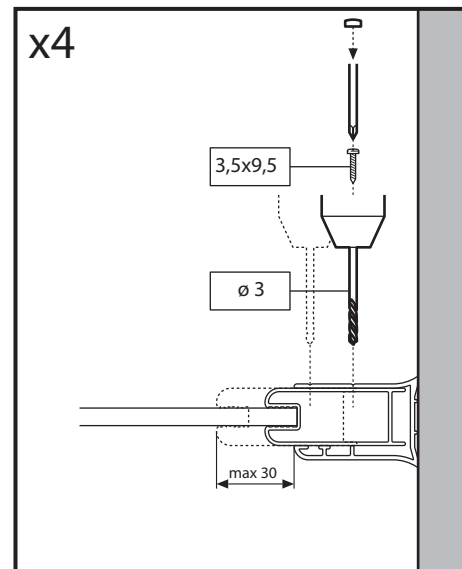
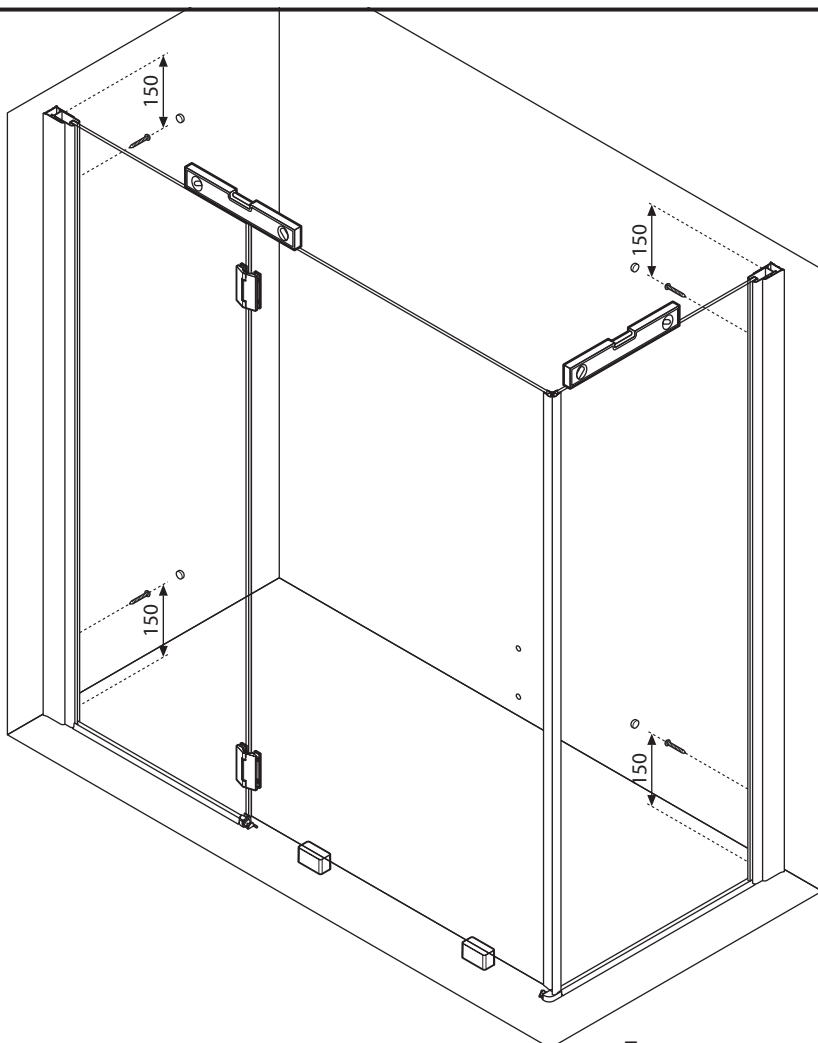


4

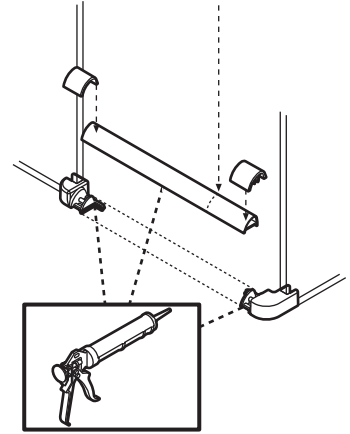
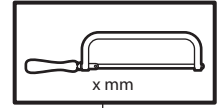
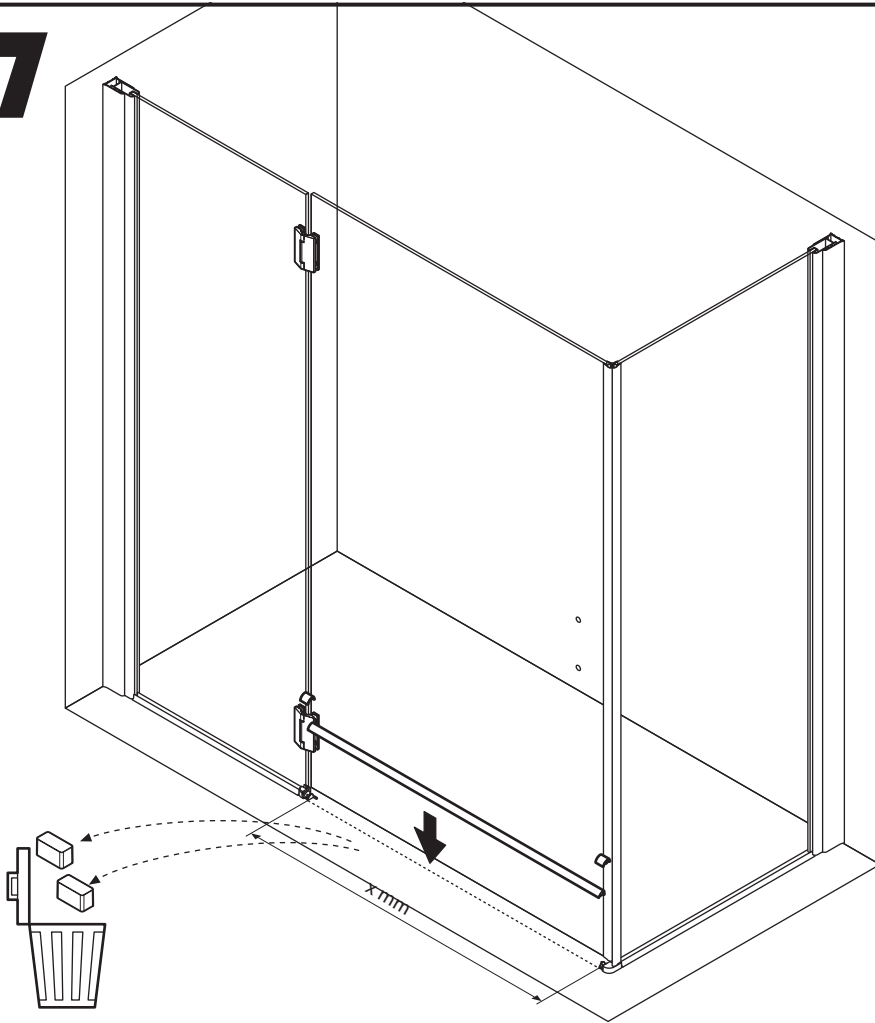
5



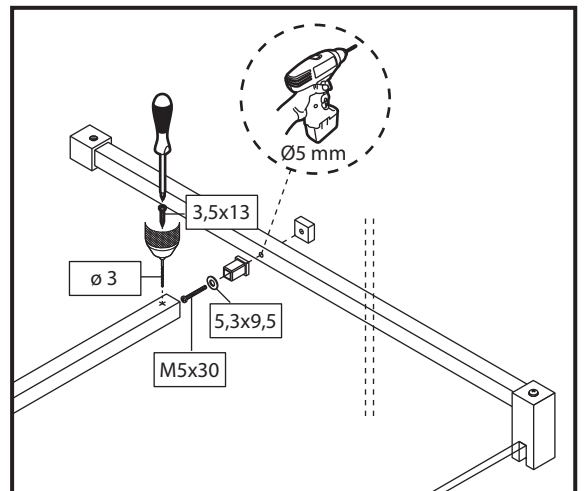
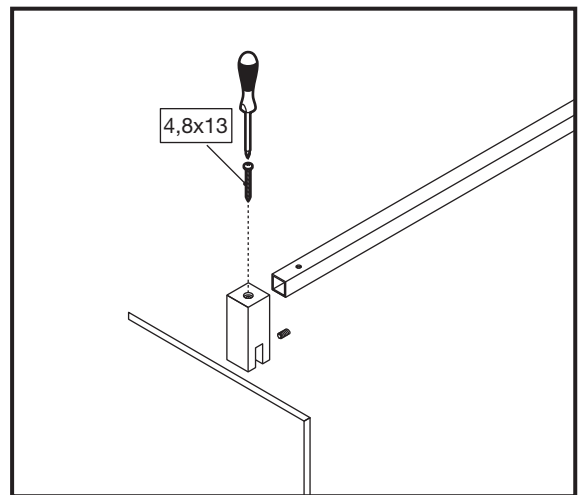
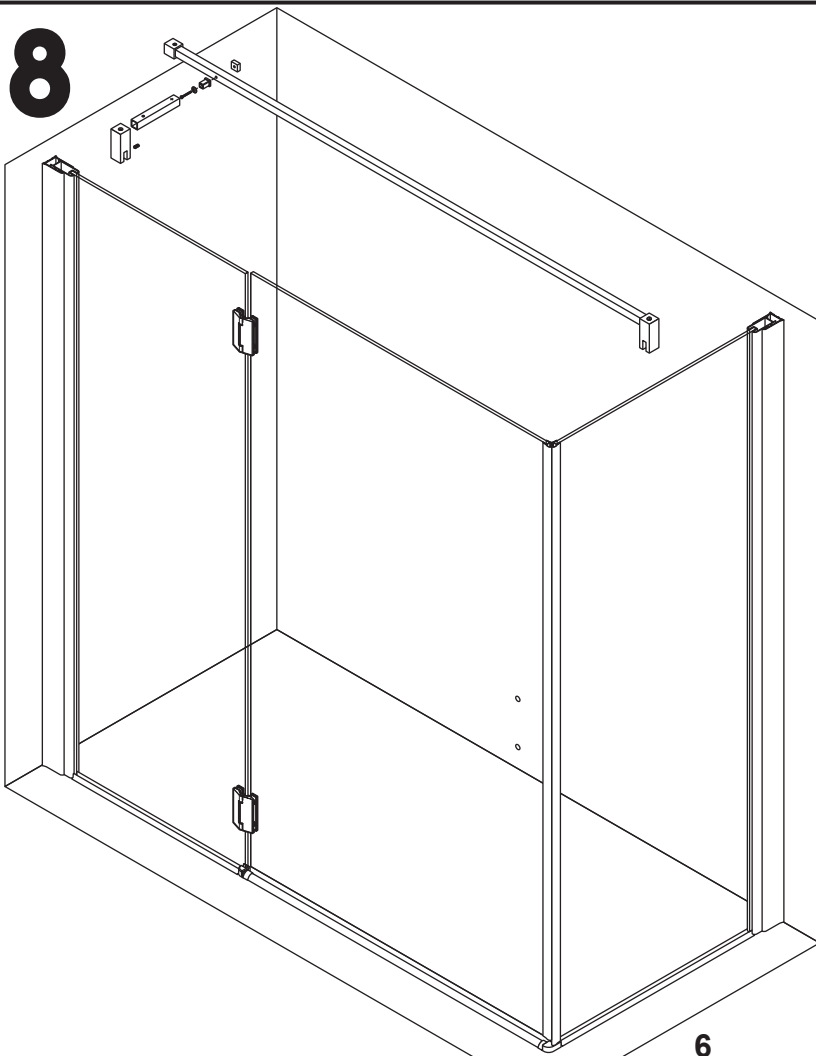
6



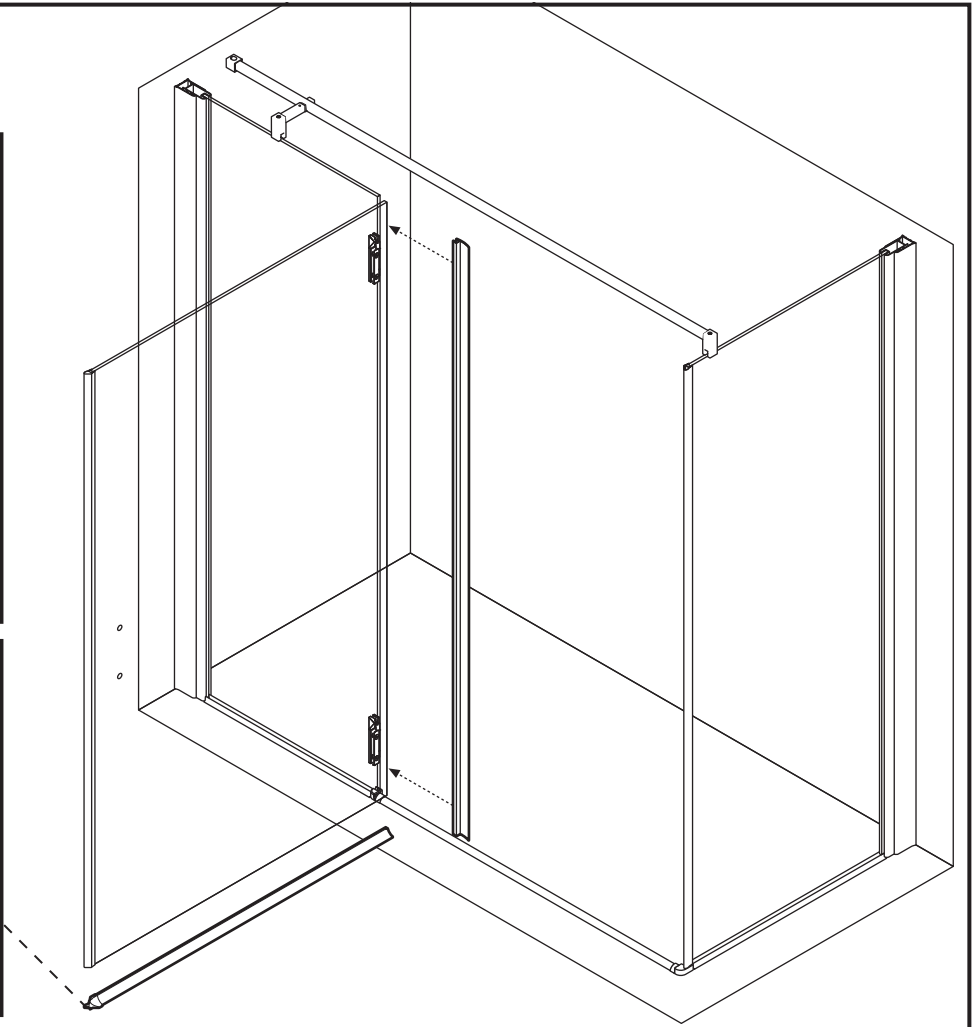
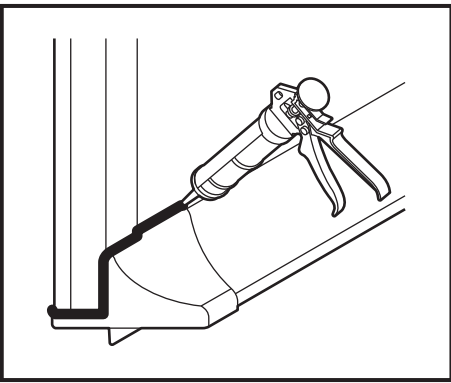
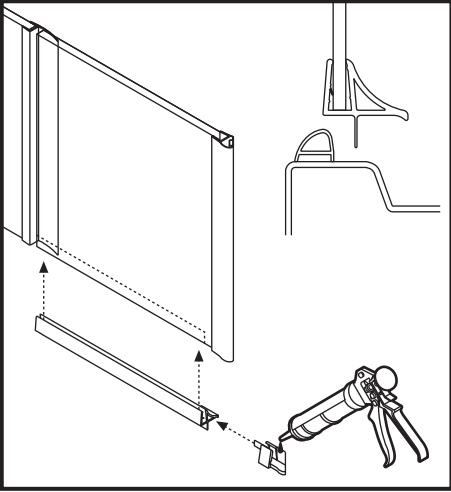
7



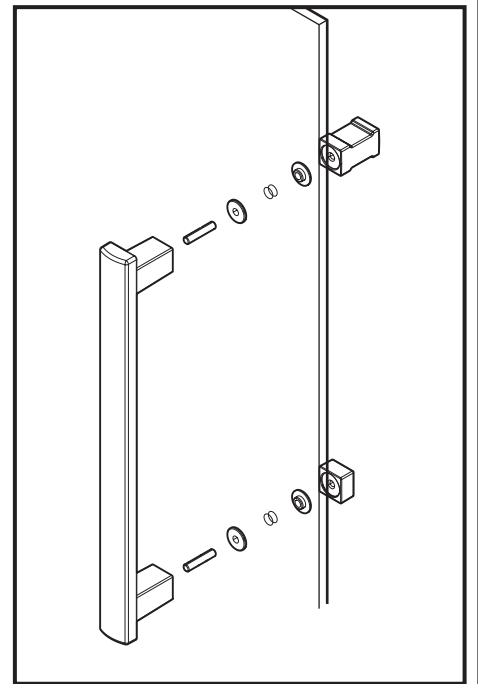
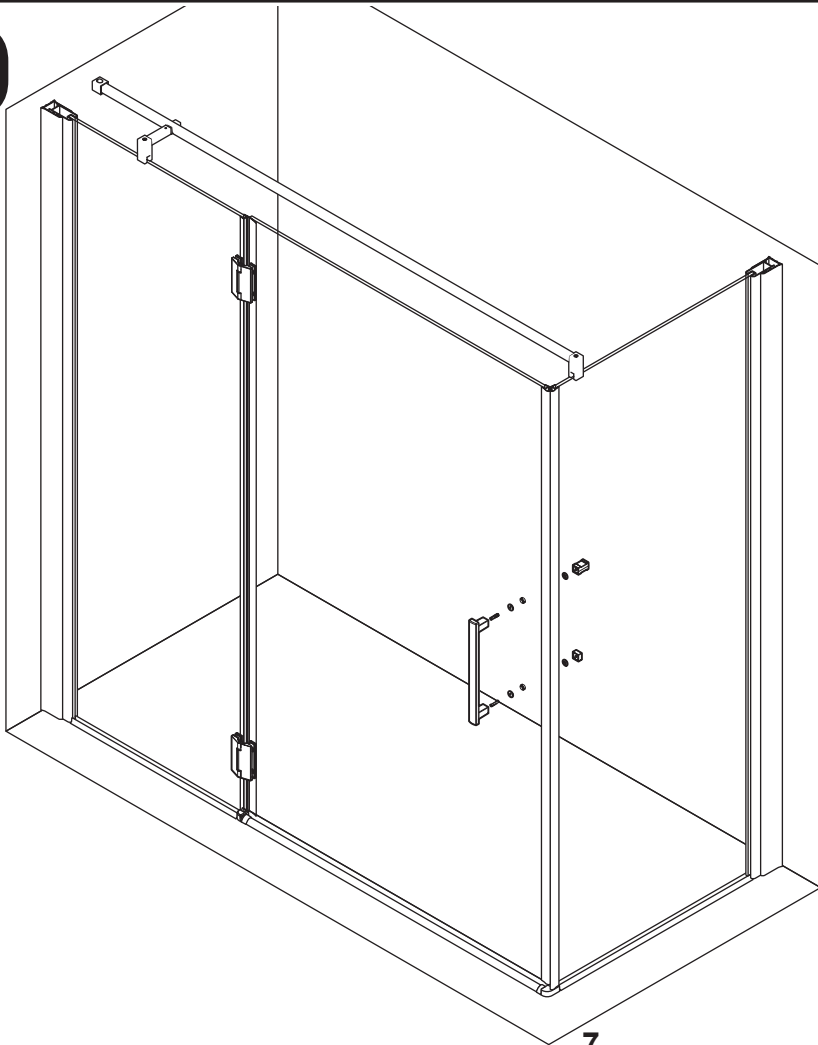
8



9

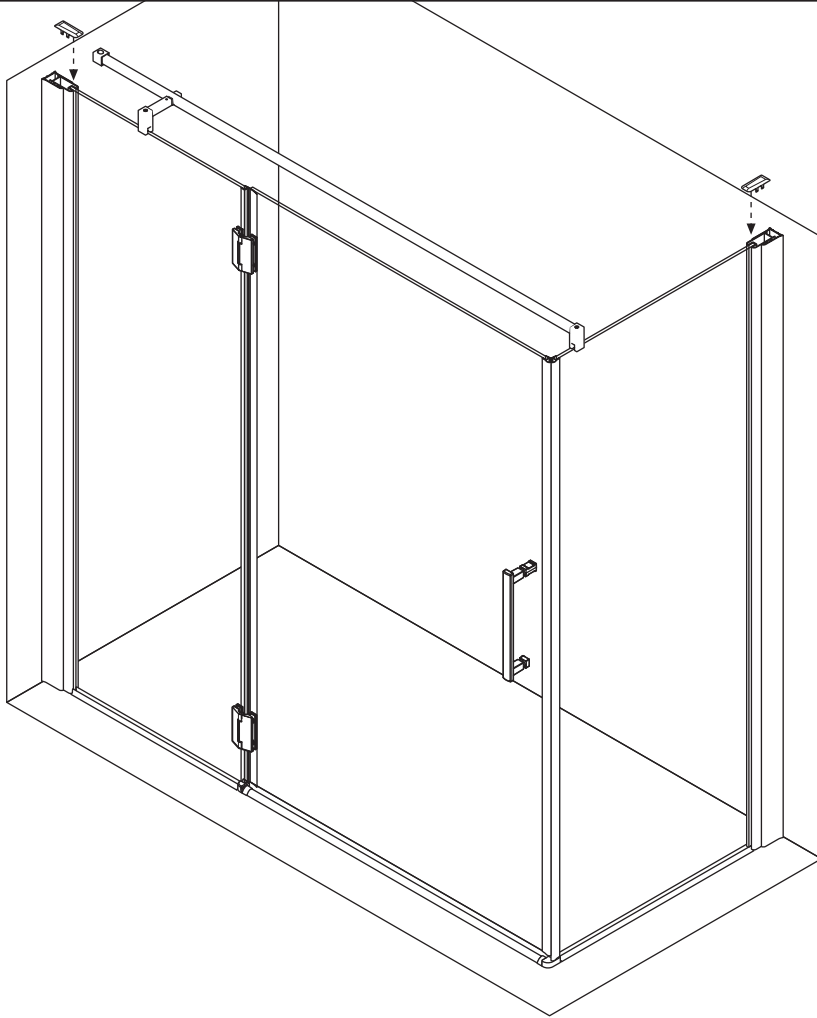


10

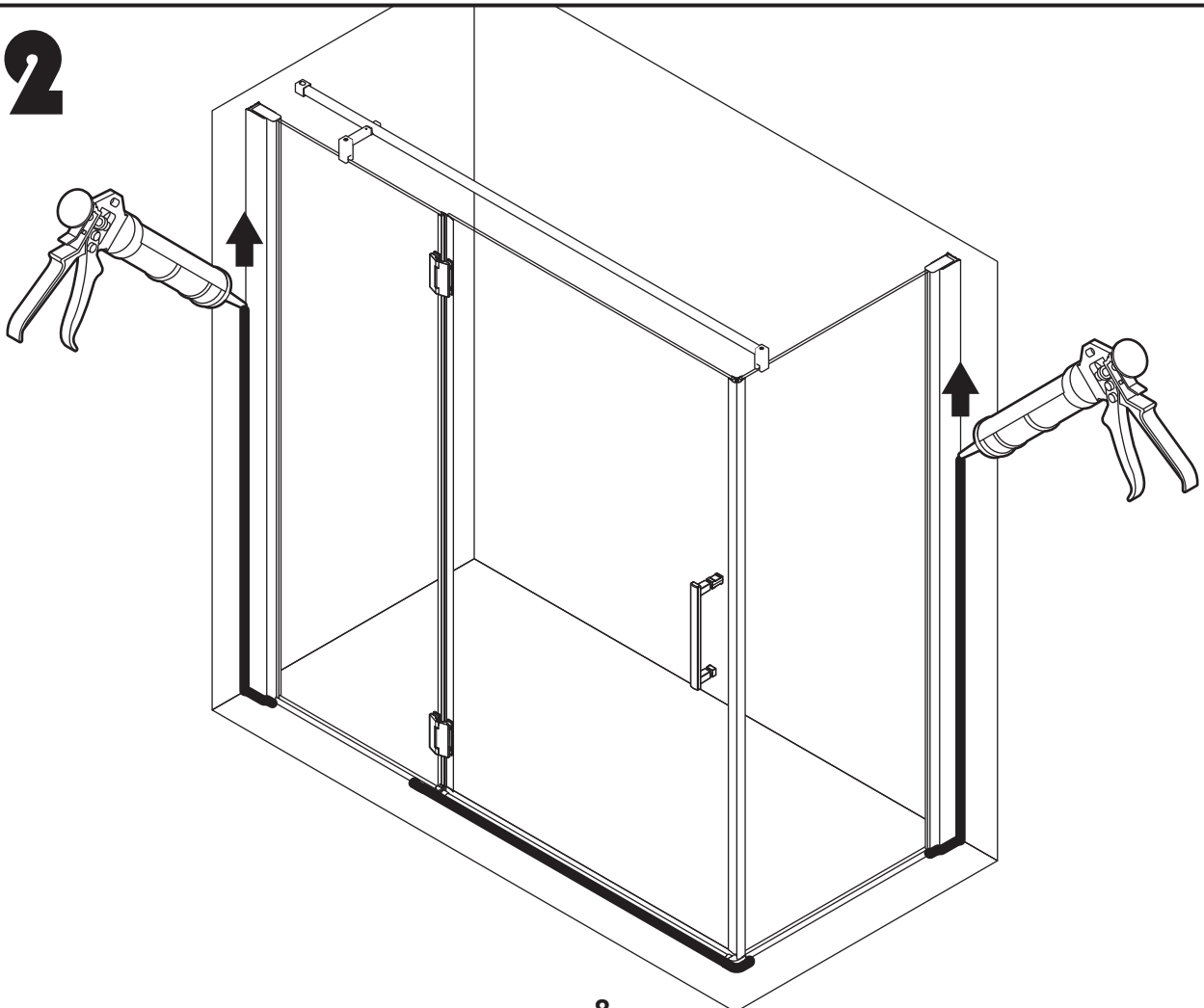


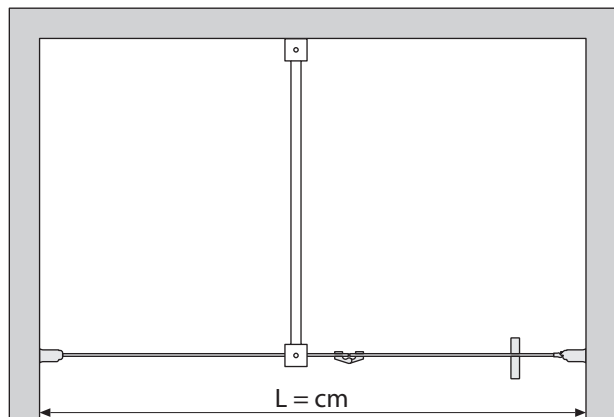
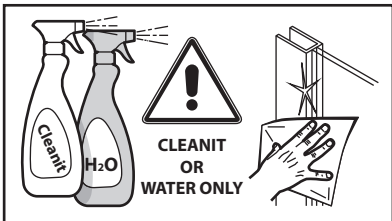
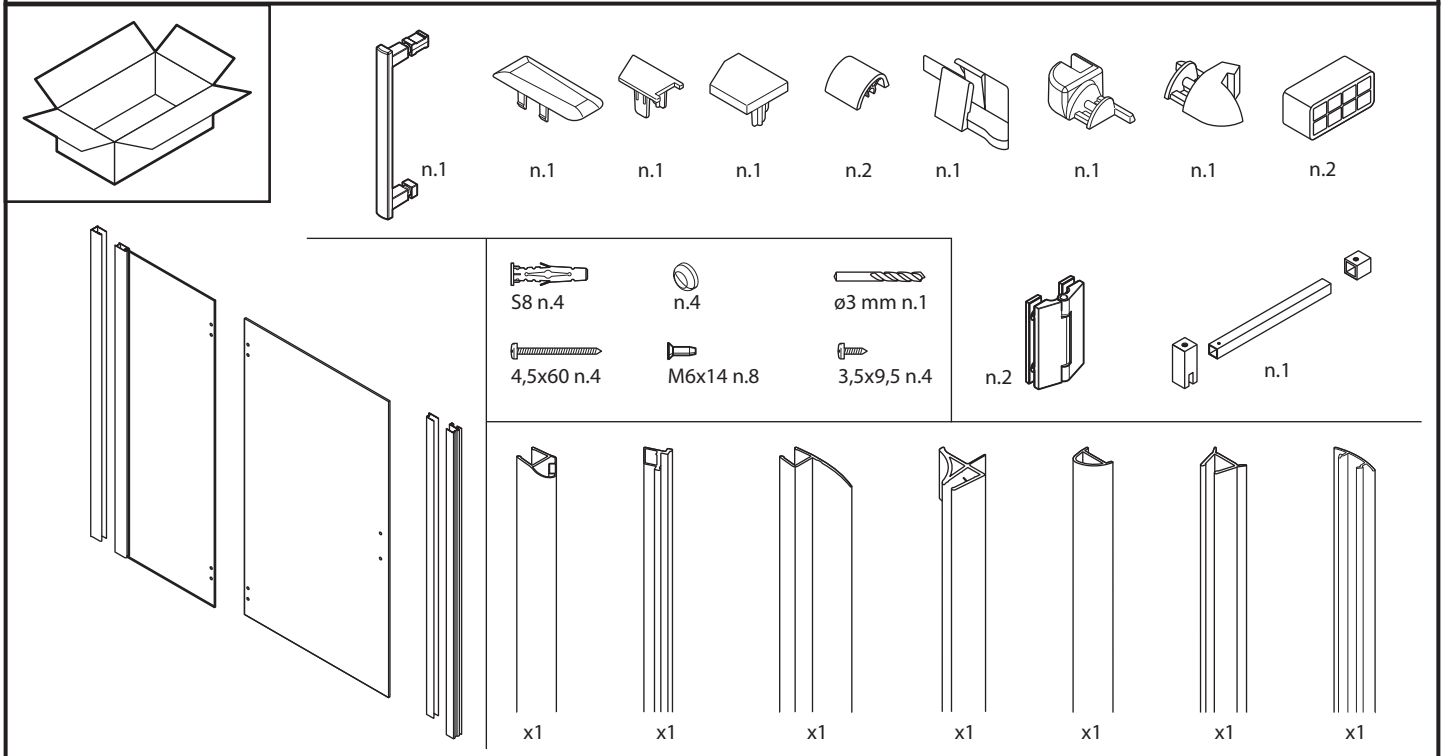
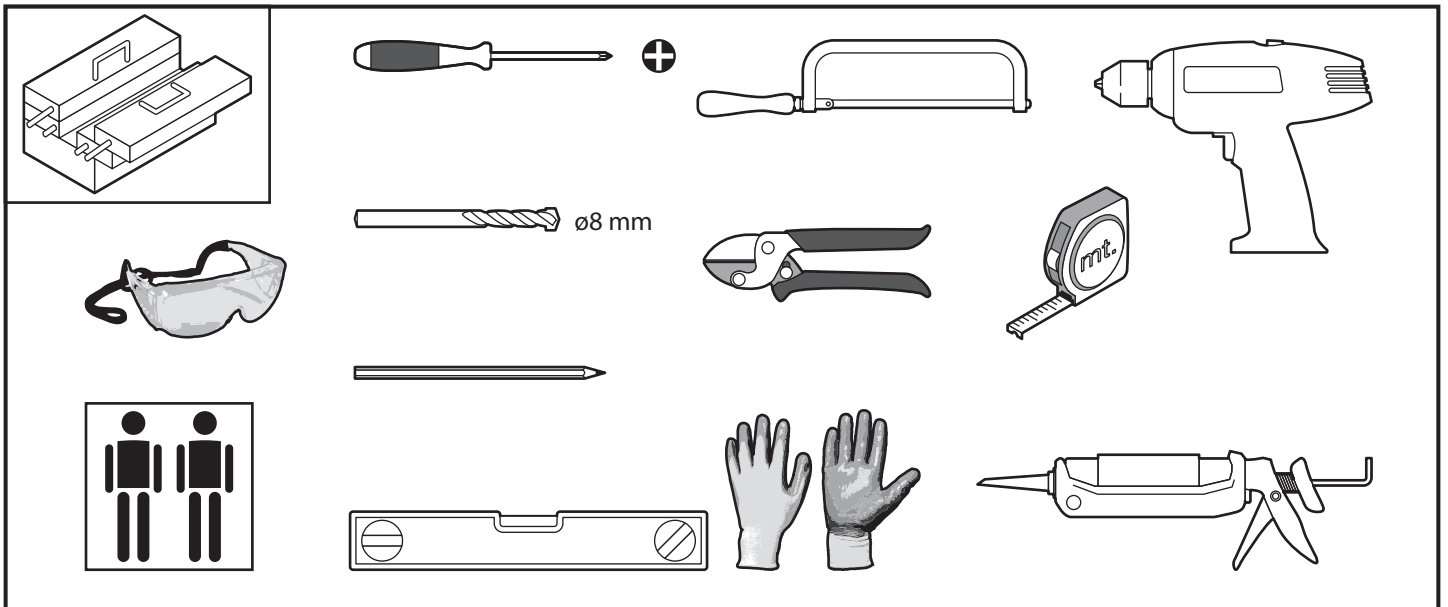
7

11

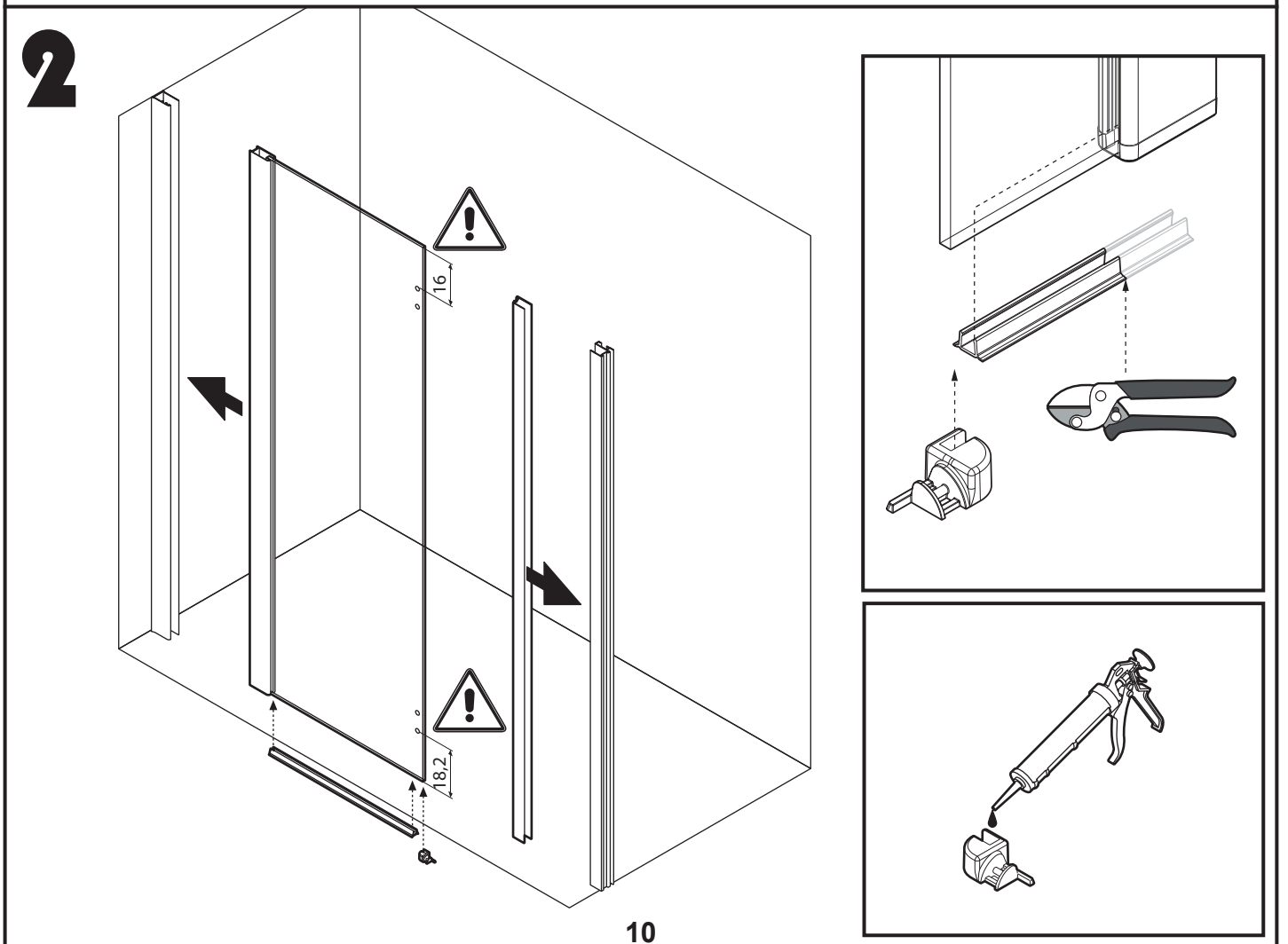
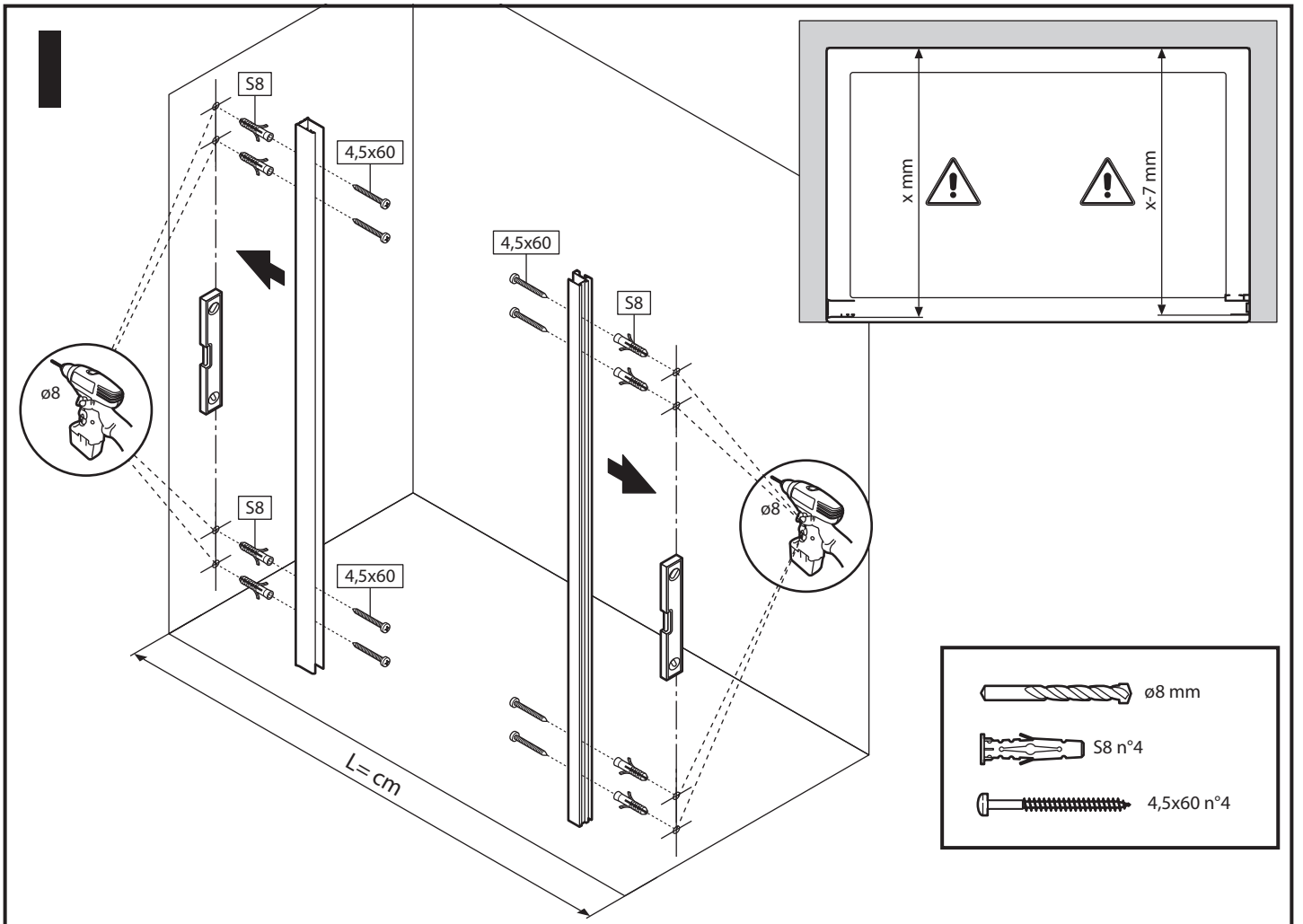


12

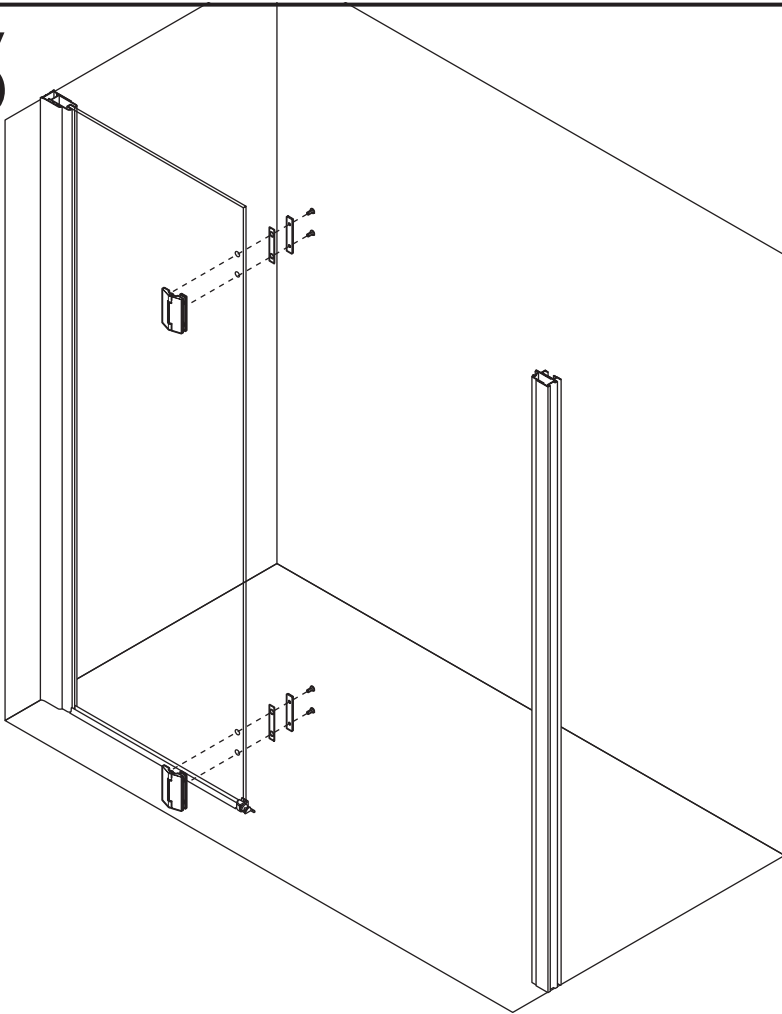




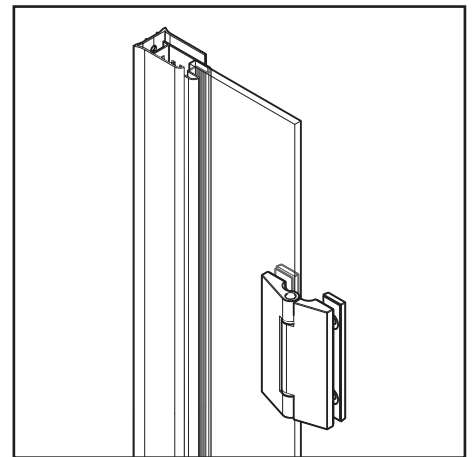
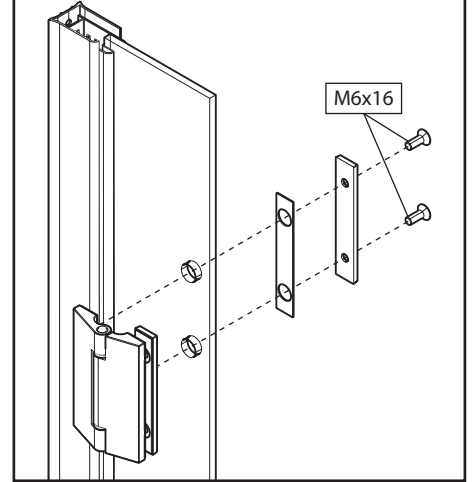
G70	L=68-71 cm
G75	L=73-76 cm
G80	L=78-81 cm
G85	L=83-86 cm
G90	L=88-91 cm
G95	L=93-96 cm
G100	L=98-101 cm
G110	L=108-111 cm
G120	L=118-121 cm
G140	L=138-141 cm
G150	L=148-151 cm
G160	L=158-161 cm
G170	L=168-171 cm



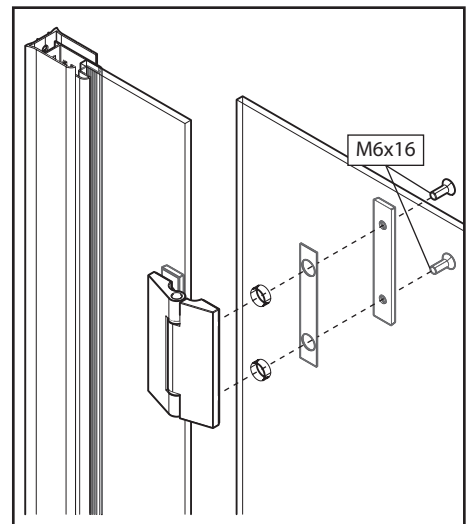
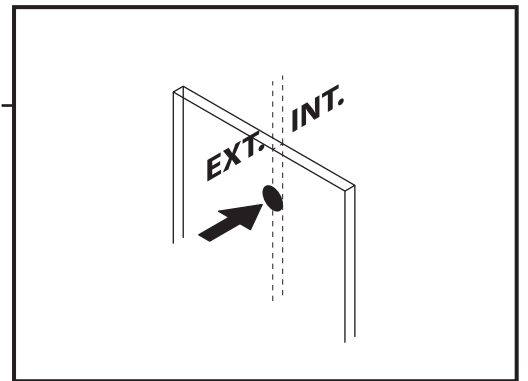
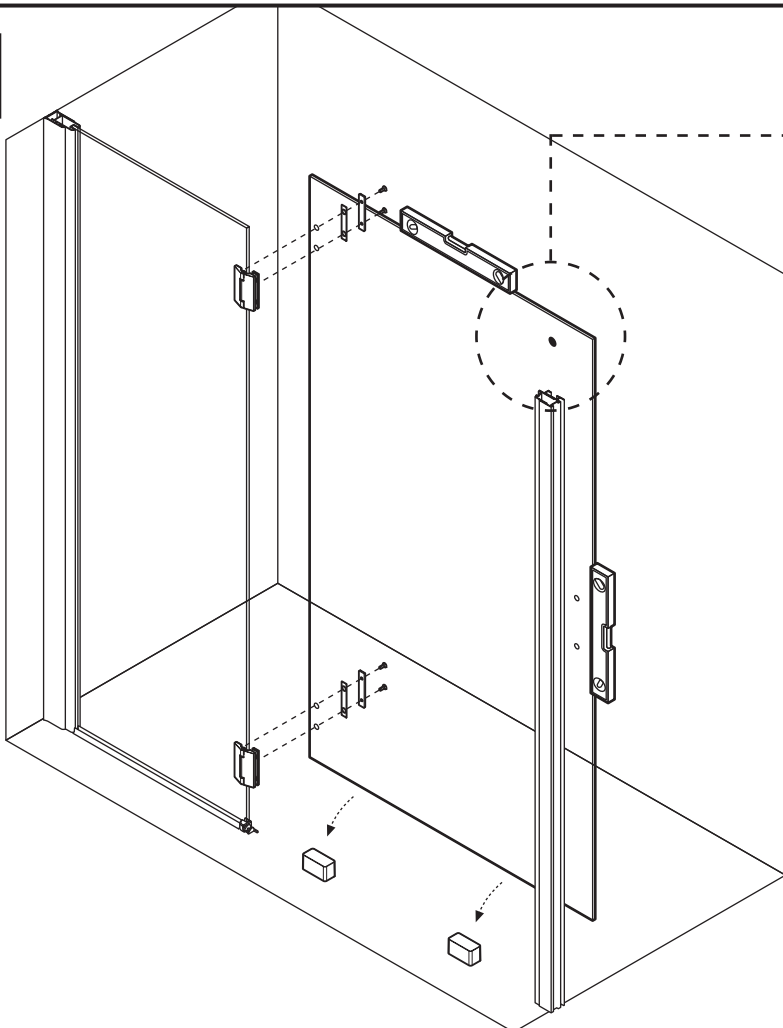
3



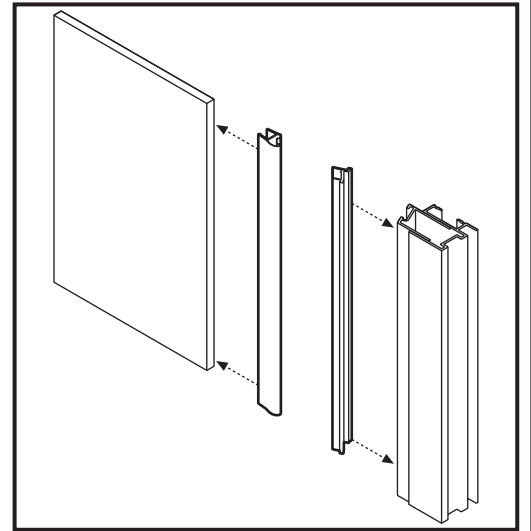
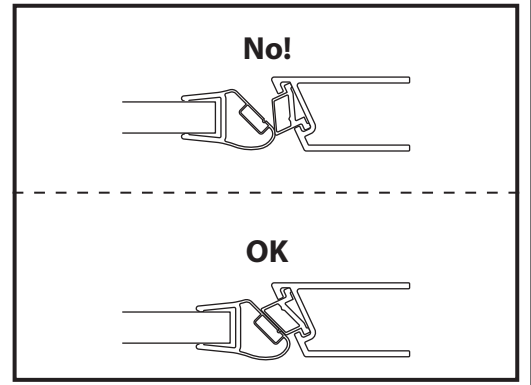
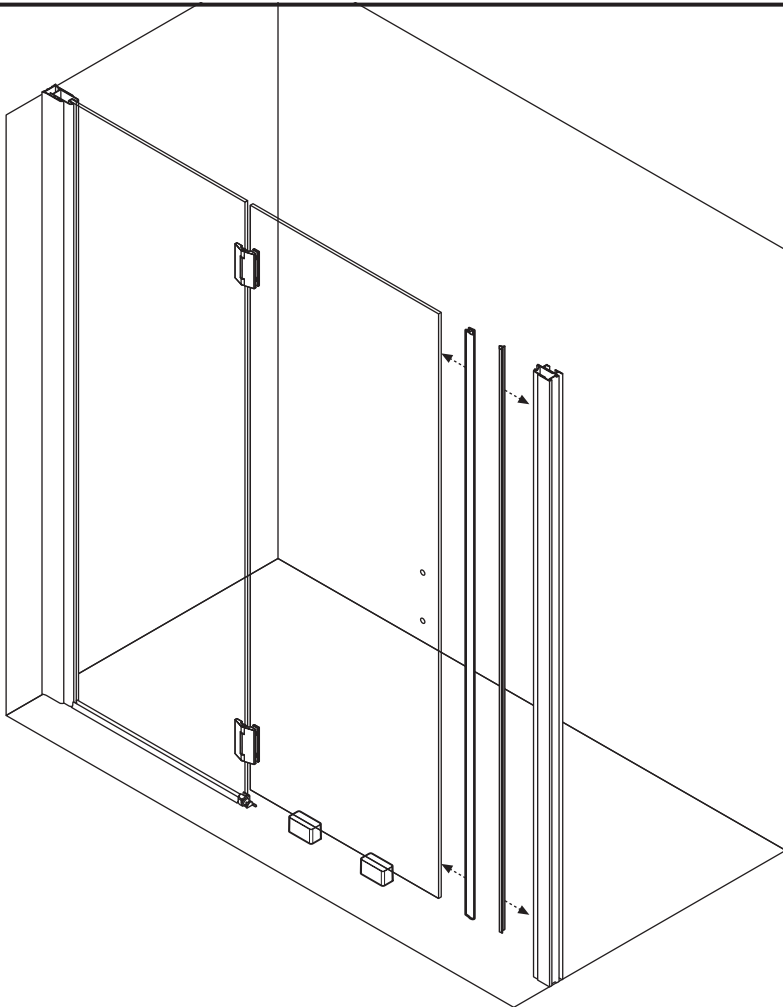
x2



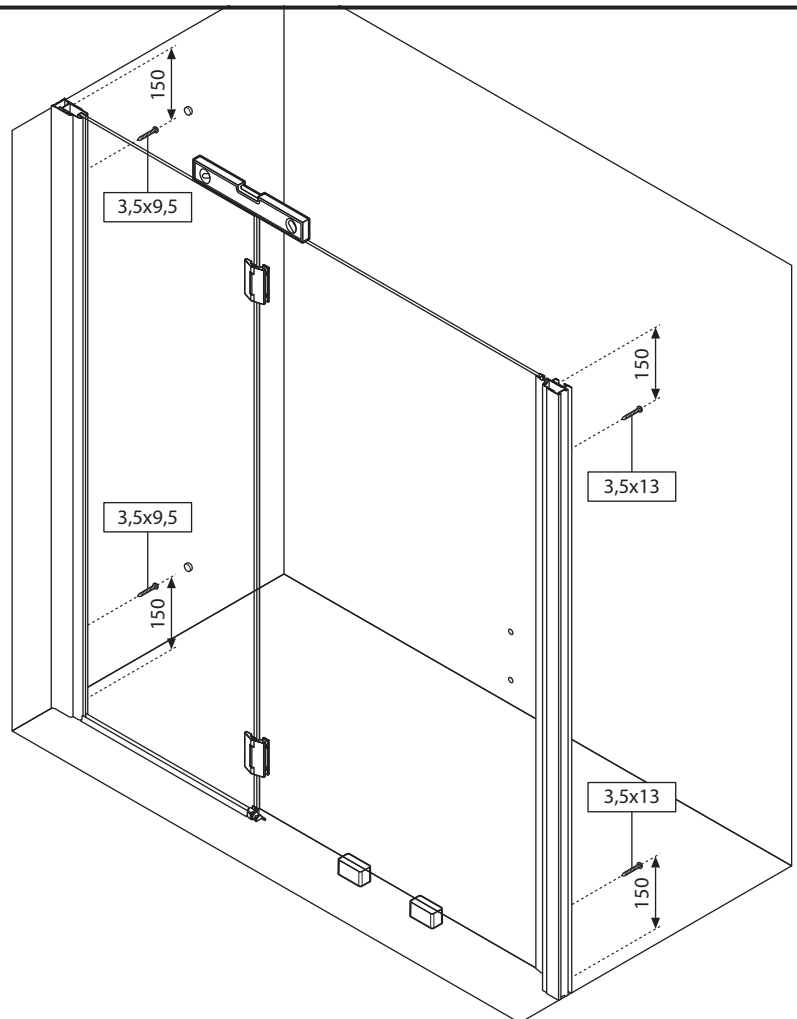
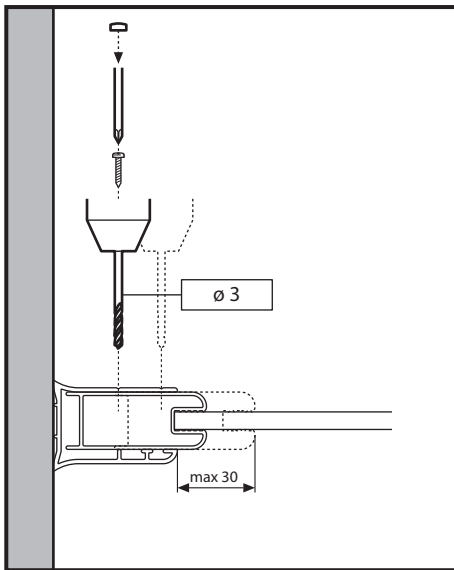
4



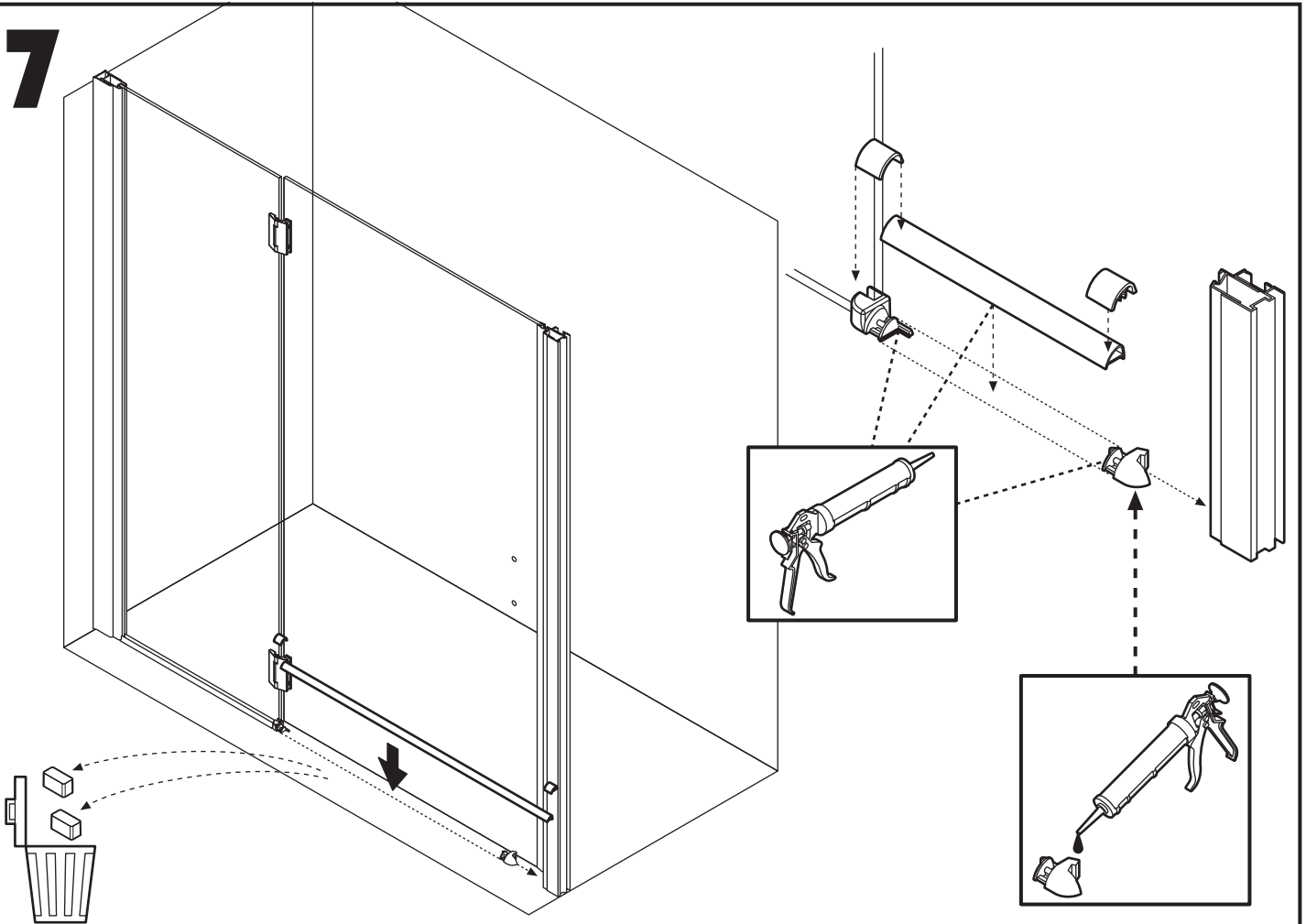
5



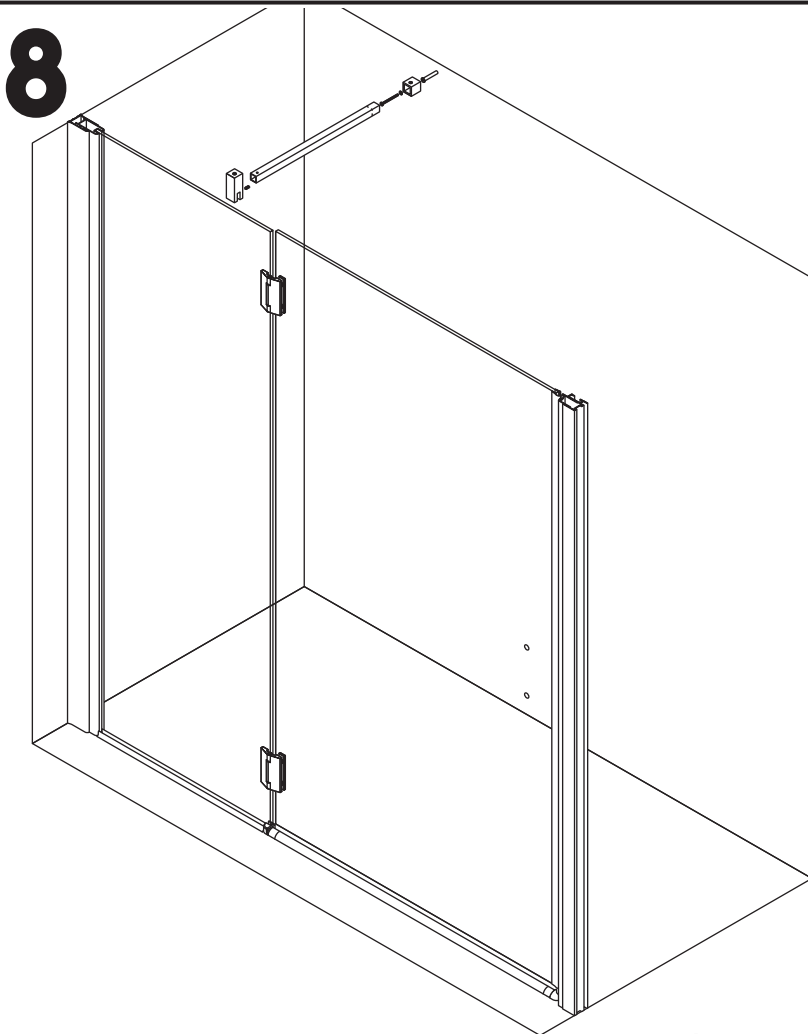
6



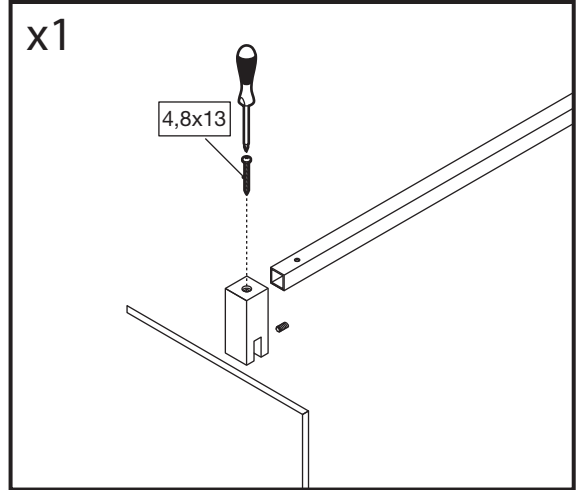
7



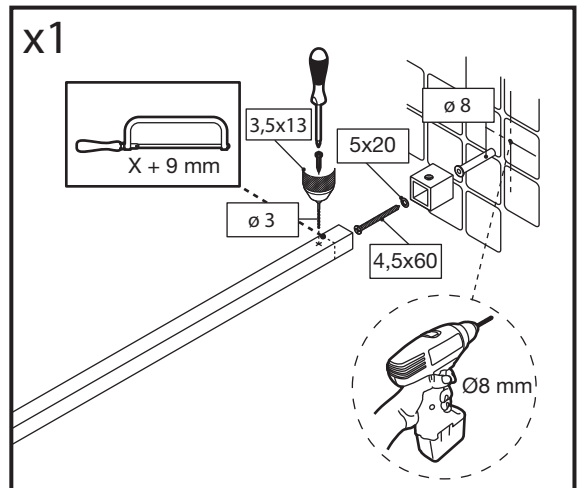
8



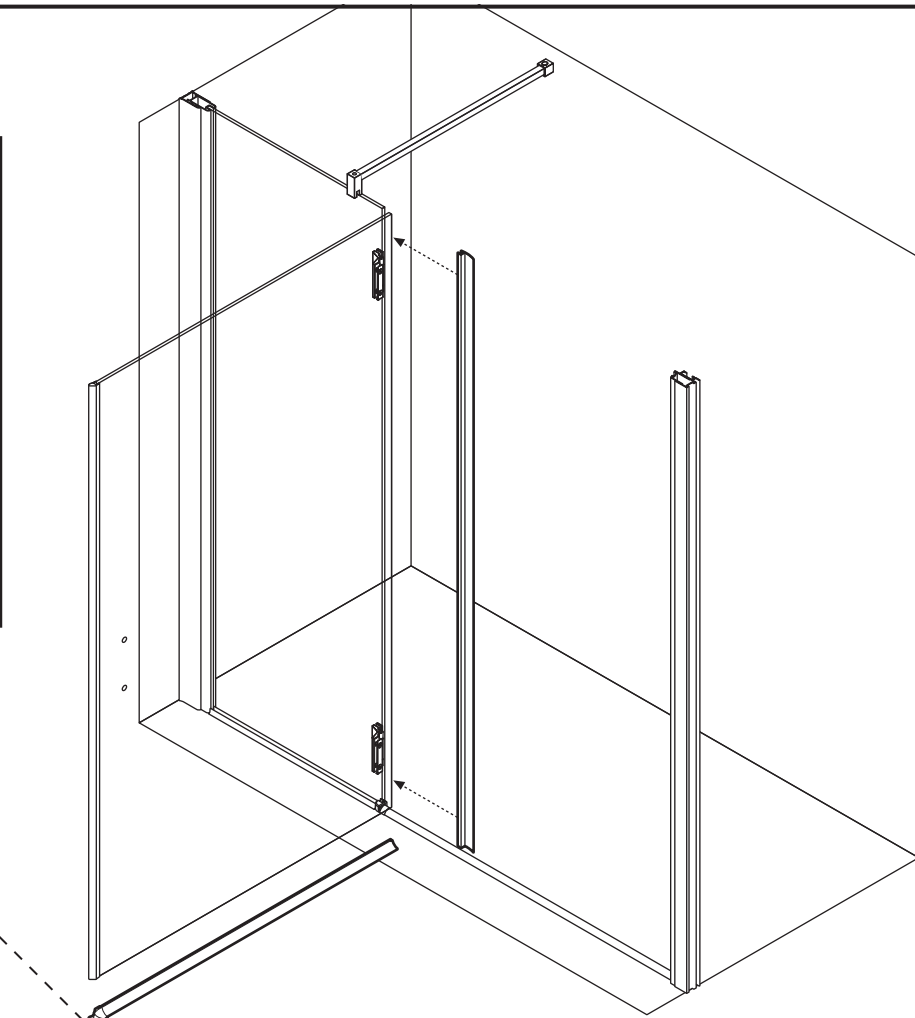
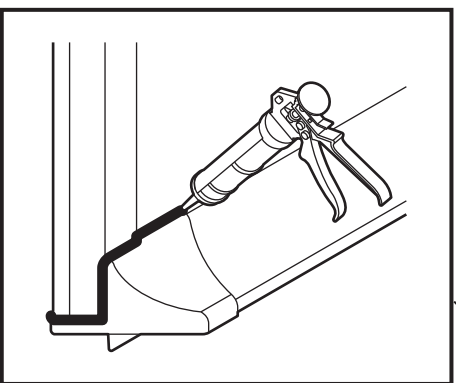
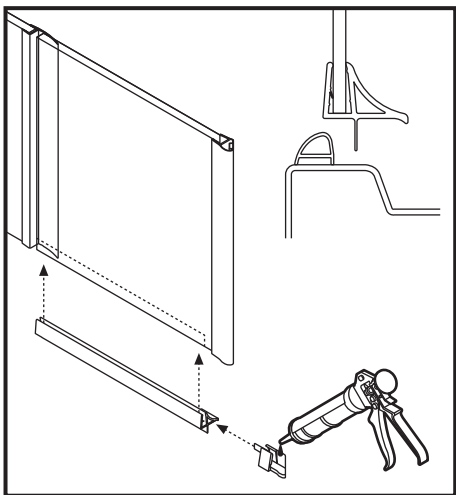
x1



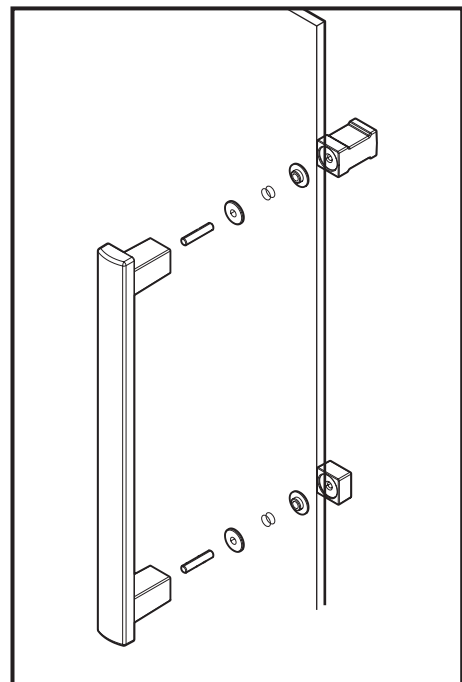
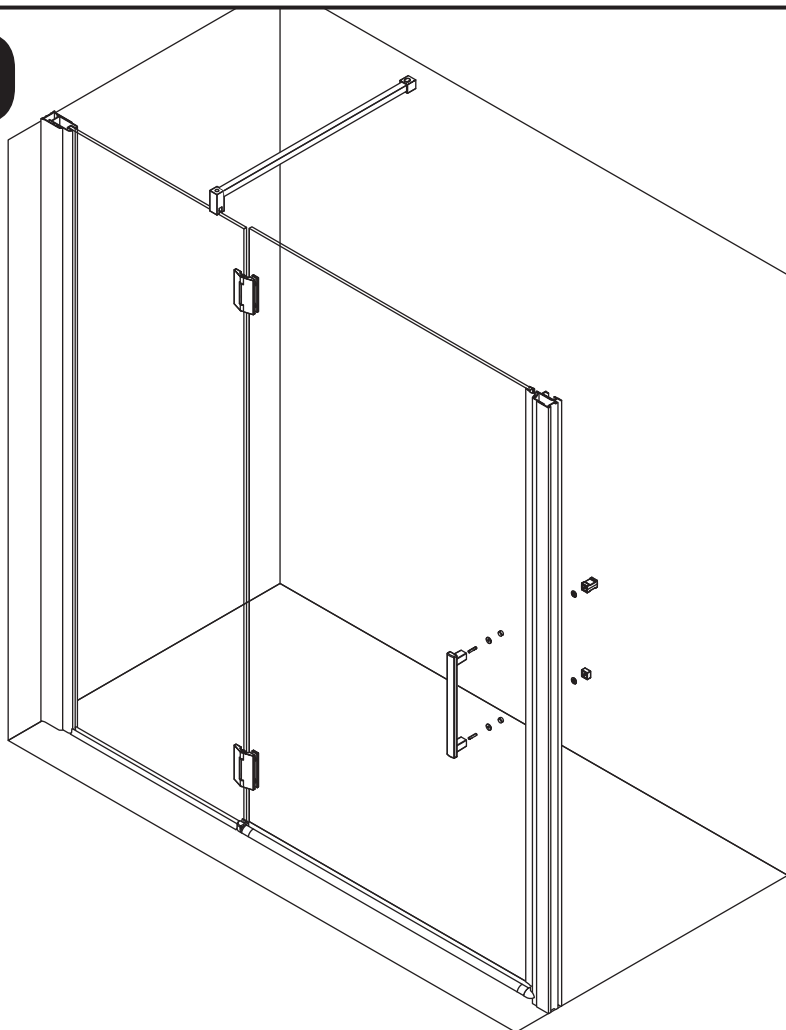
x1



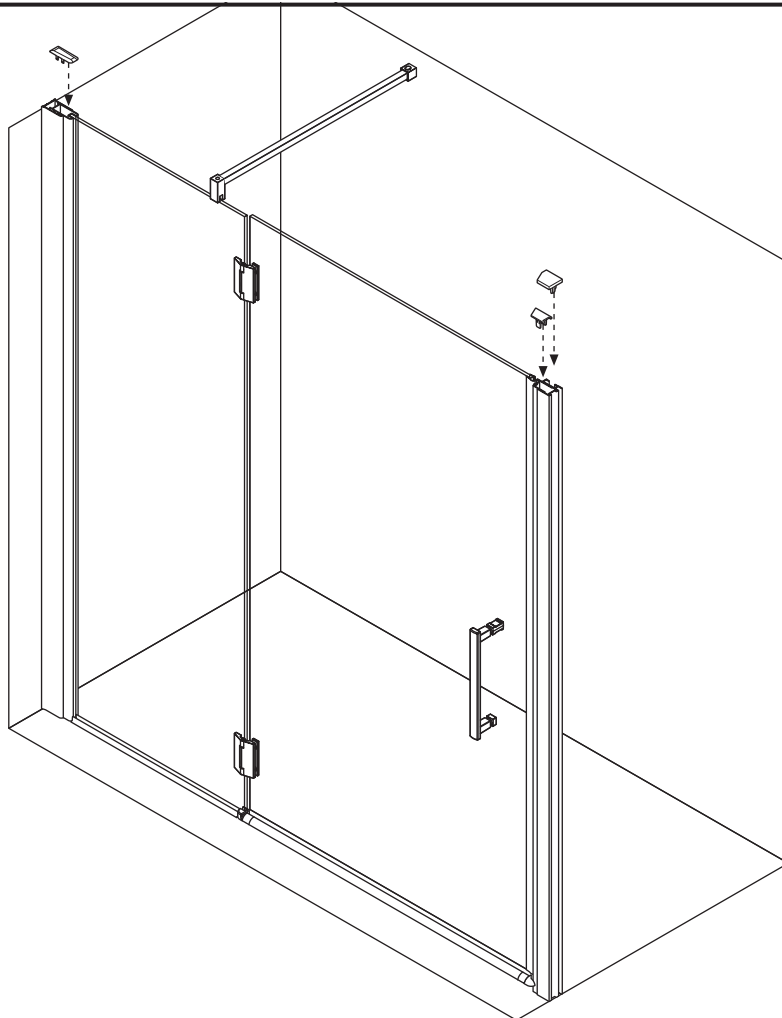
9



10



11



12

