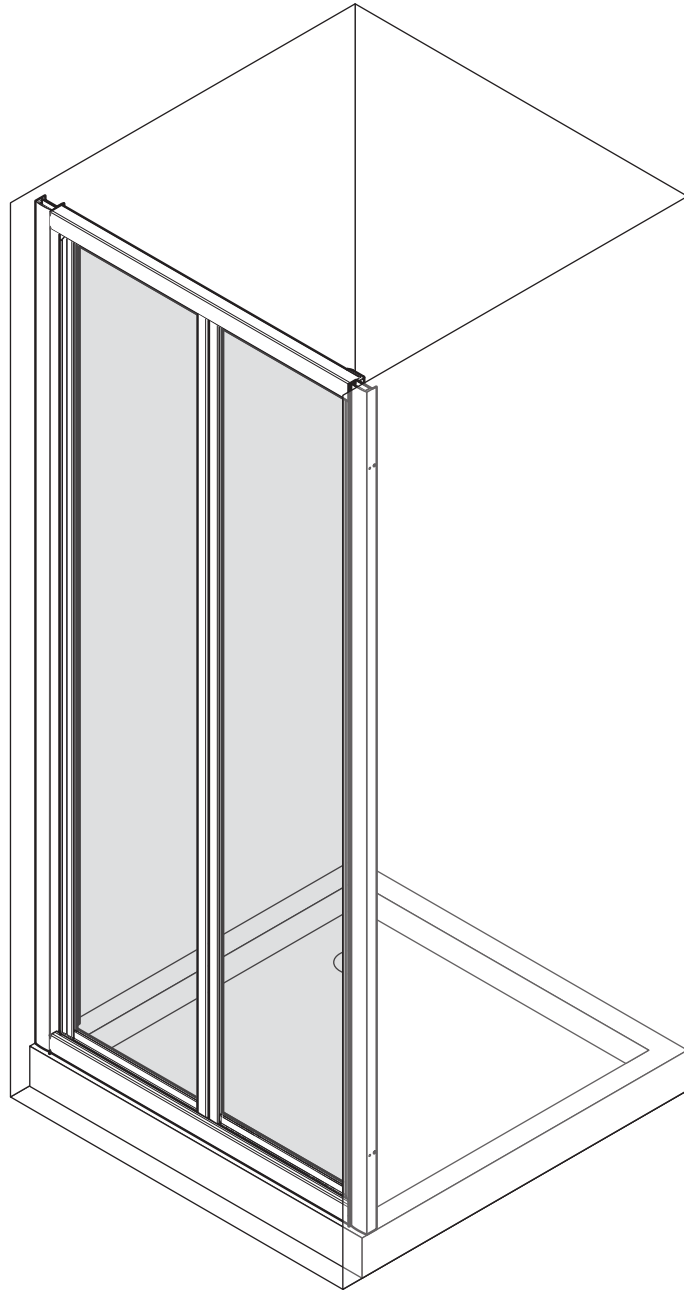
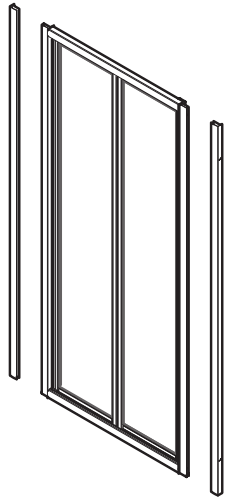
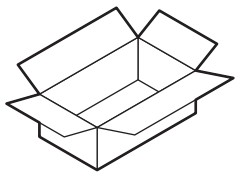
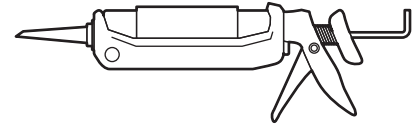
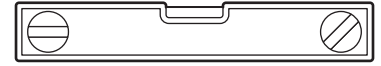
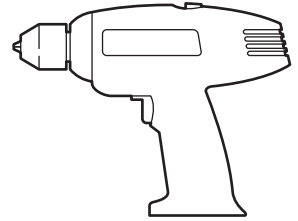
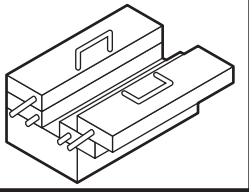


S



4x35 x4



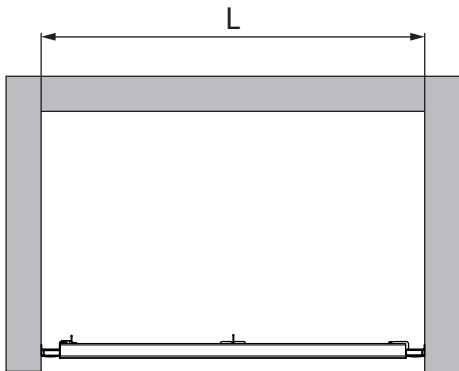
S6 x4



3,5x9,5 x4

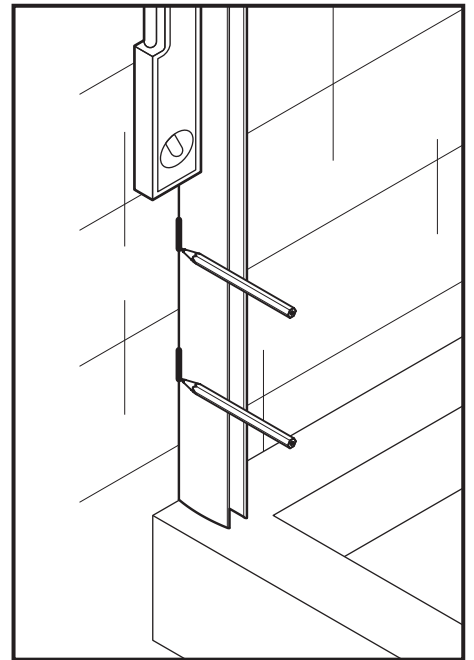
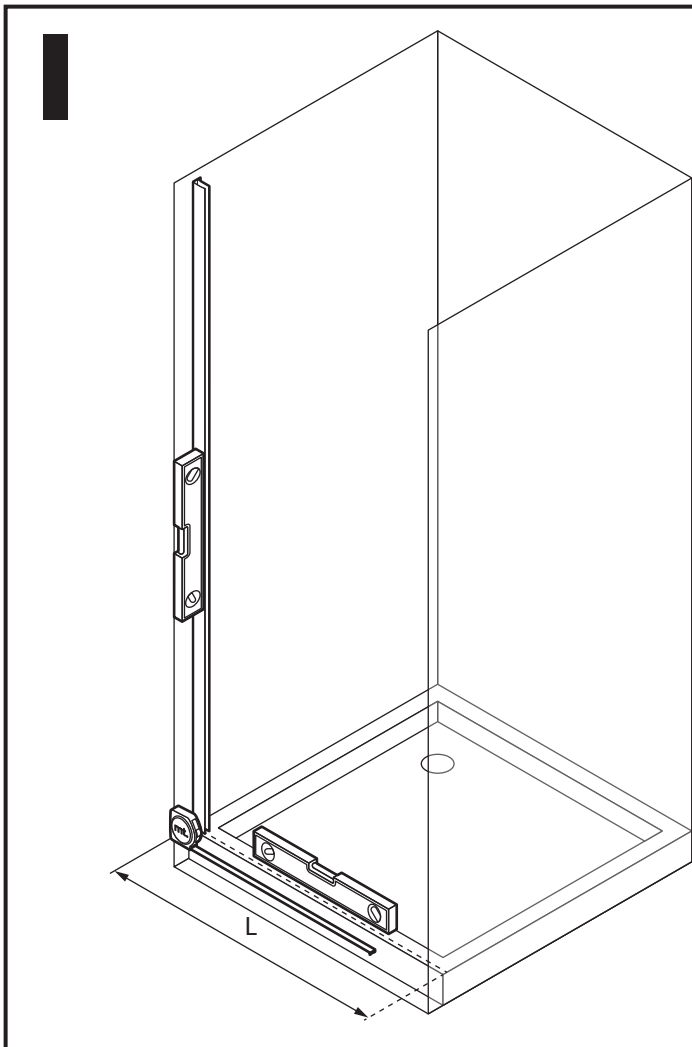


x4

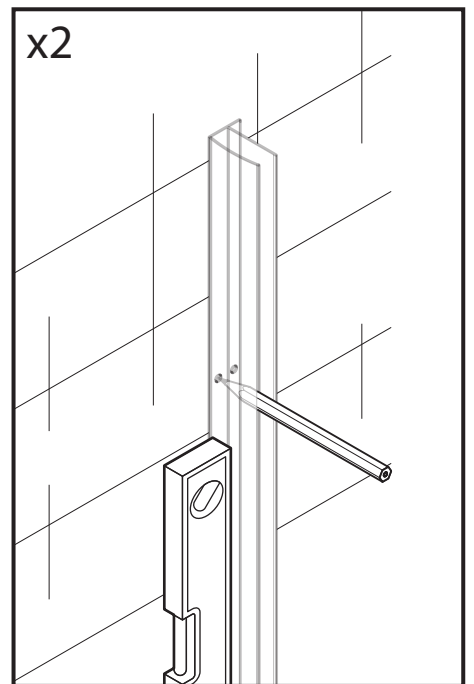
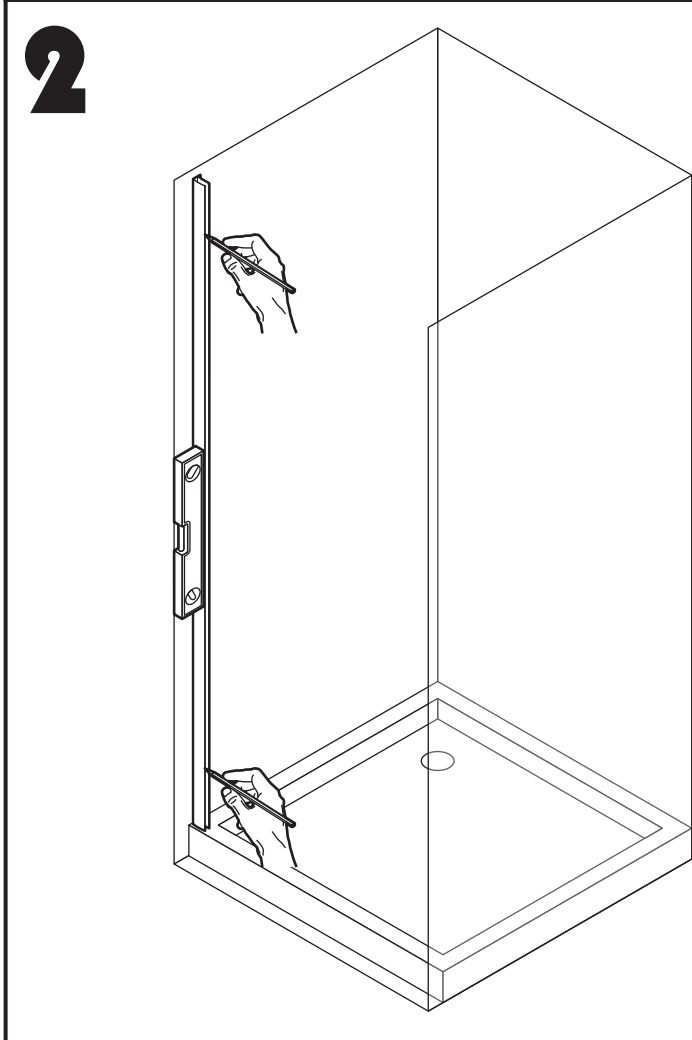


S70	L= 66-72 cm
S75	L= 72-78 cm
S80	L= 78-84 cm
S85	L= 84-90 cm

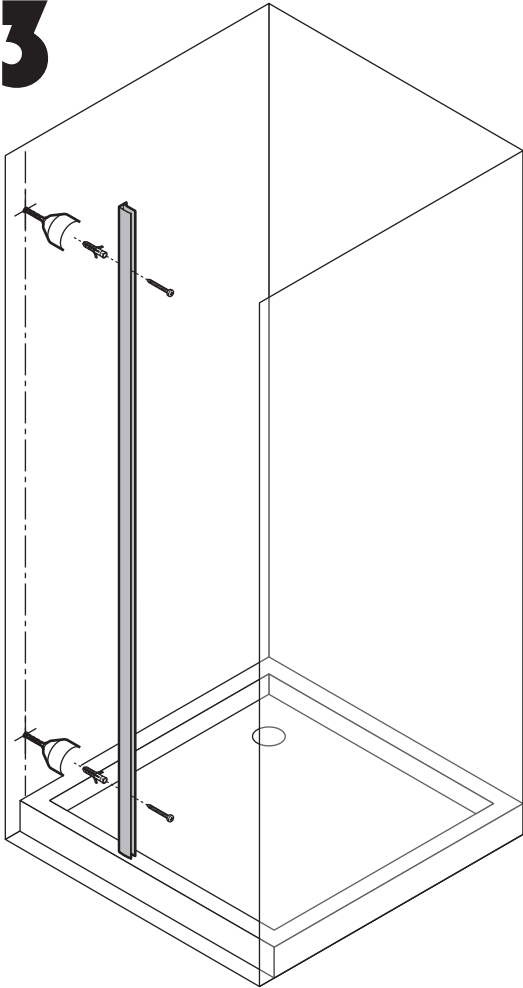




S70	L= 66-72 cm
S75	L= 72-78 cm
S80	L= 78-84 cm
S85	L= 84-90 cm



# 3



 4x35 x2

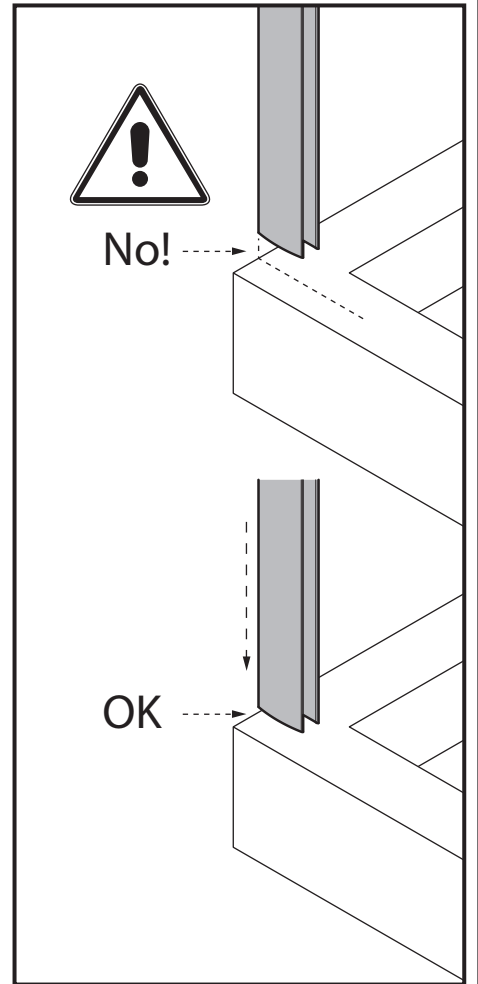
 S6 x2

  $\varnothing 6$  mm

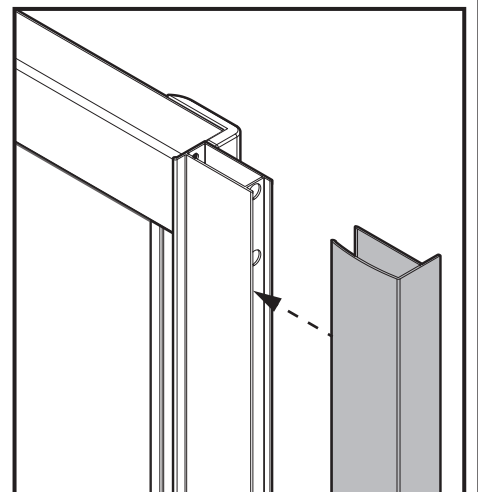
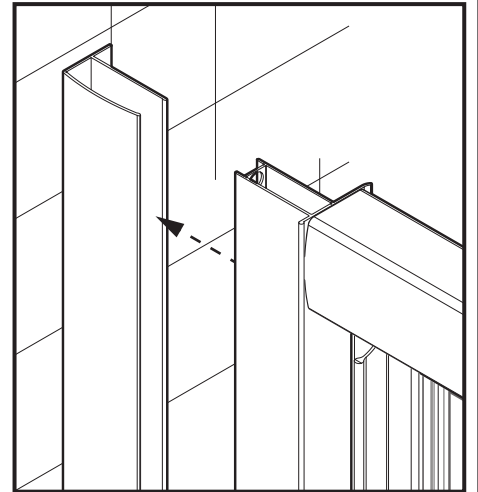
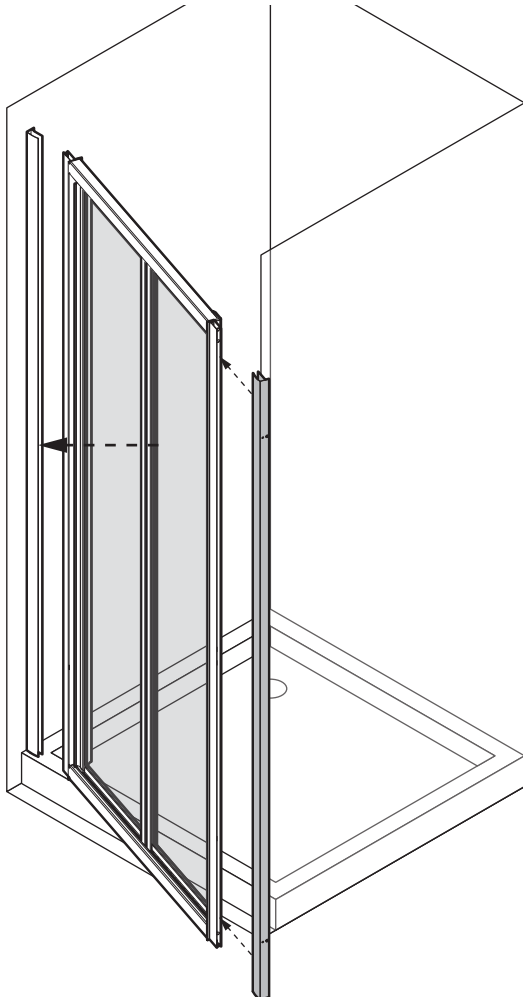


No!

OK

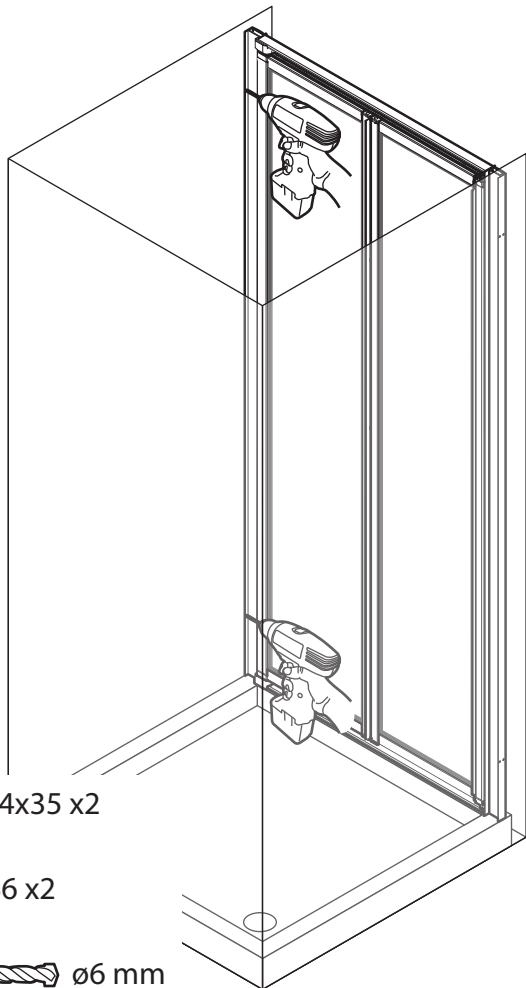


# 4



4

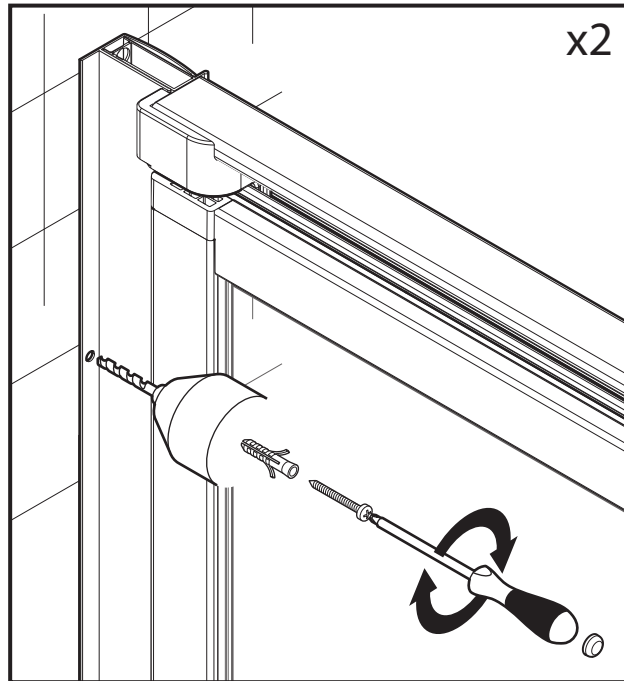
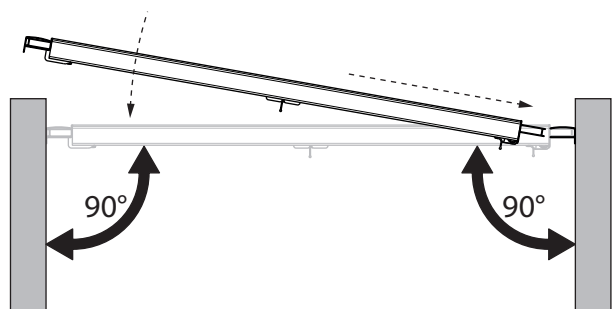
# 5



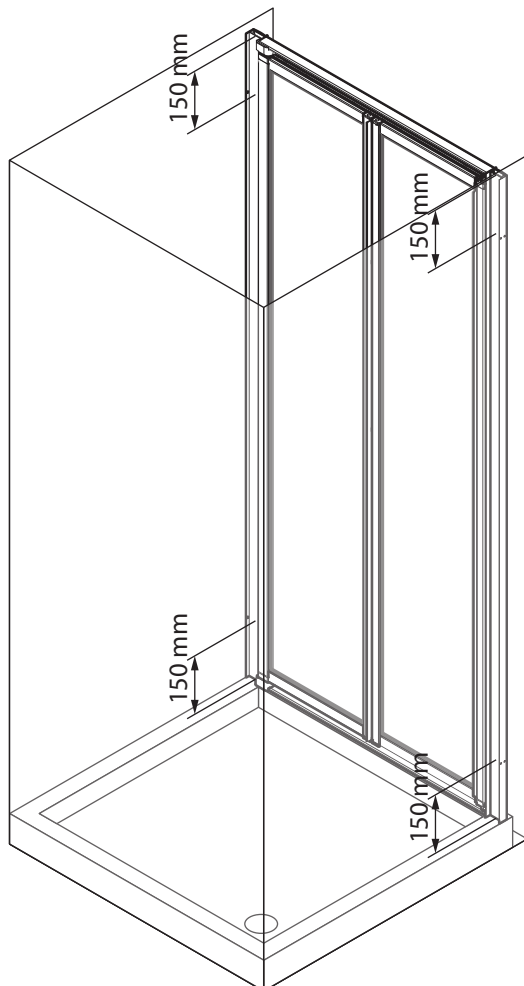
4x35 x2

S6 x2

∅6 mm



# 6

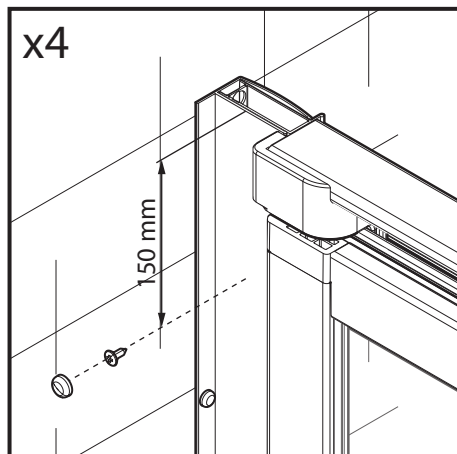
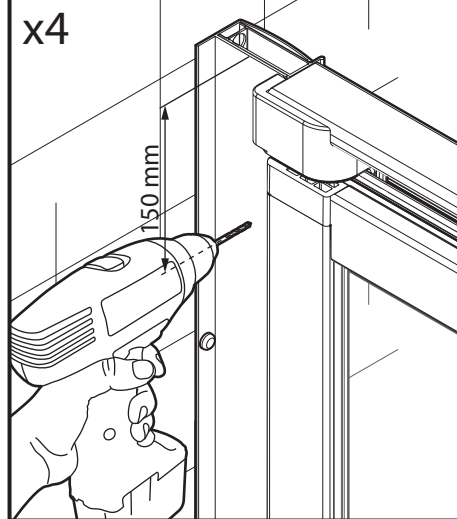


∅3

3,5x9,5 x4



x4



5

7

