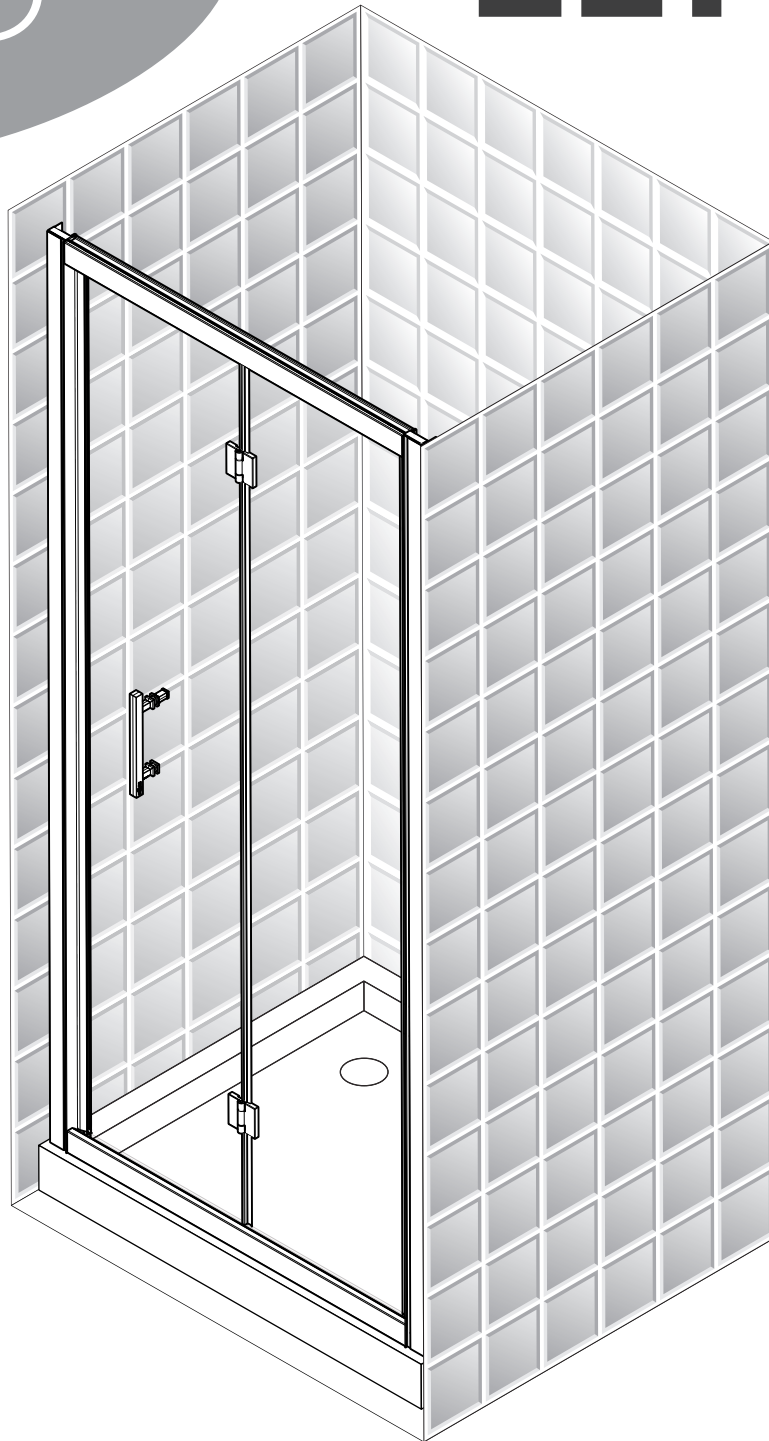
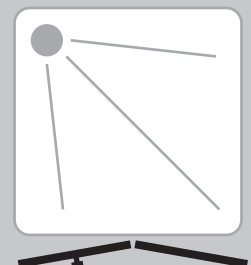
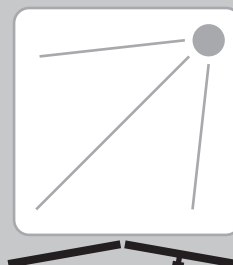


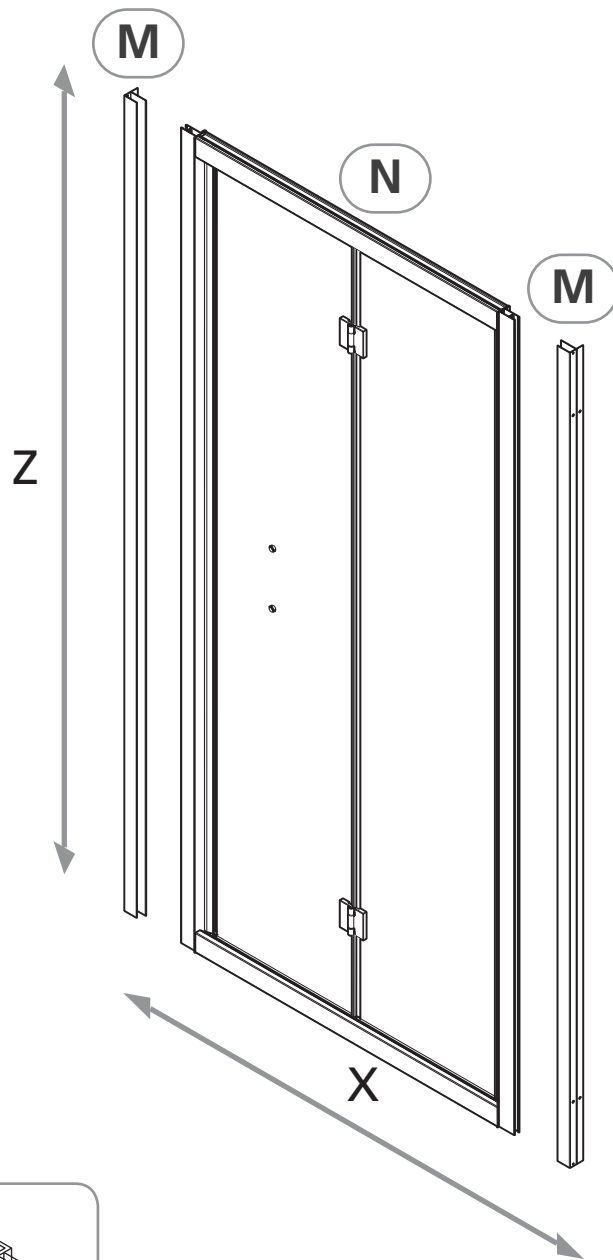


# ELYT - S

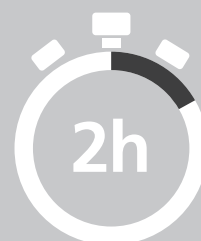


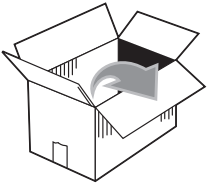
- ELYTS66
- ELYTS72
- ELYTS78
- ELYTS84
- ELYTS90
- ELYTS96



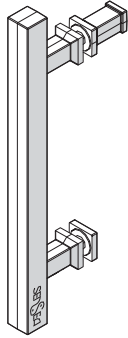


|         |             |          |
|---------|-------------|----------|
| ELYTS66 | X=66-72 cm  | Z=190 cm |
| ELYTS72 | X=72-78 cm  | Z=190 cm |
| ELYTS78 | X=78-84 cm  | Z=190 cm |
| ELYTS84 | X=84-90 cm  | Z=190 cm |
| ELYTS90 | X=90-96 cm  | Z=190 cm |
| ELYTS96 | X=96-102 cm | Z=190 cm |

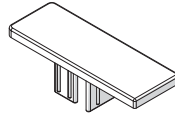




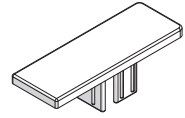
**B1**



**B2**

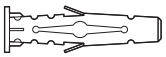


**B3**



**C1**

x4



**C2**

x4



4X35 mm

**C5**

x4



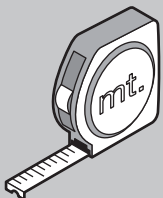
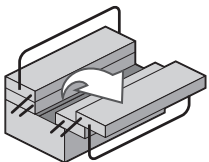
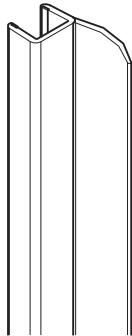
3,5x9,5 mm

**C6**

x6



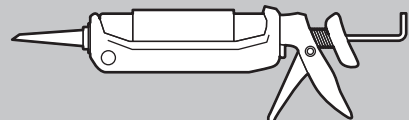
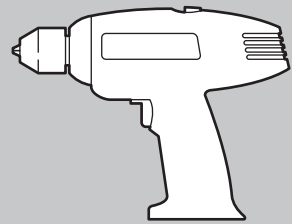
**D1**



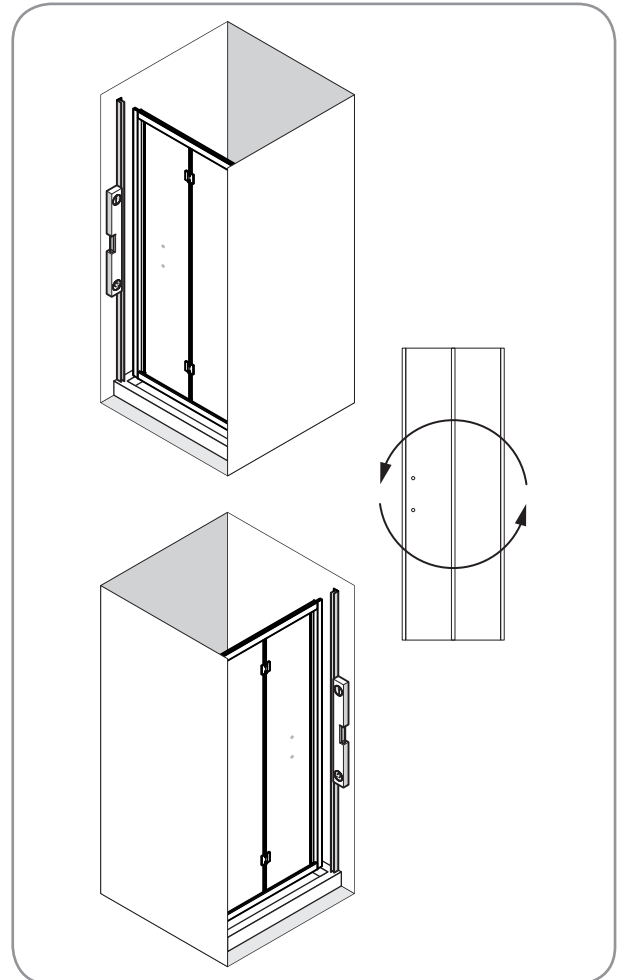
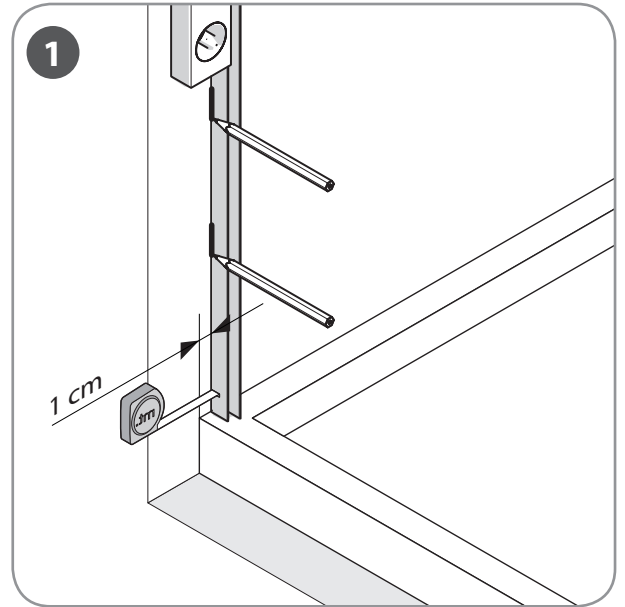
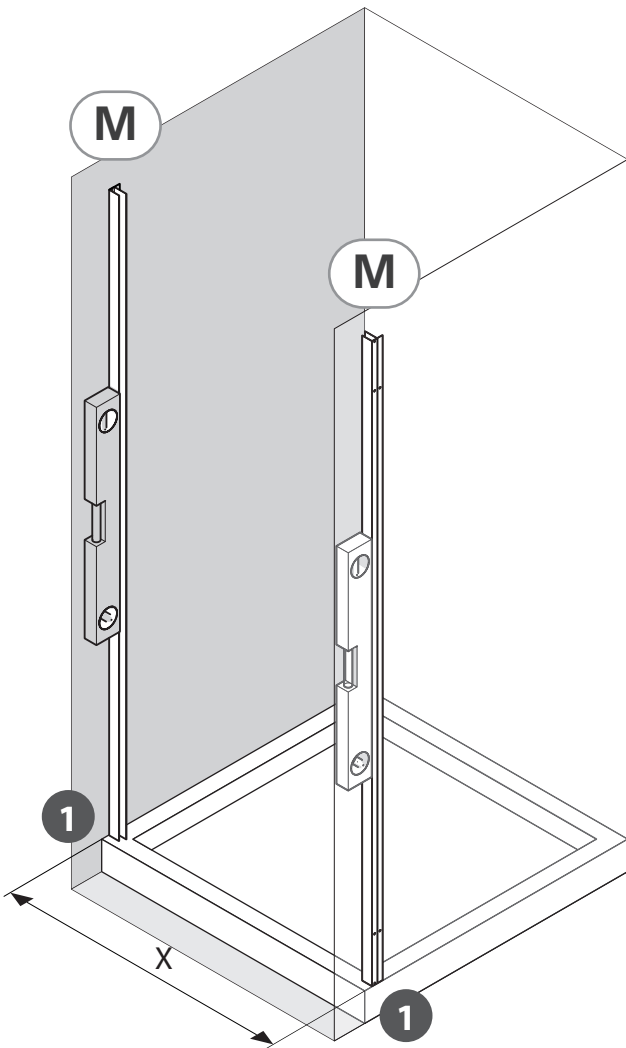
ø6 mm



ø3 mm



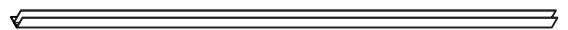
# 1



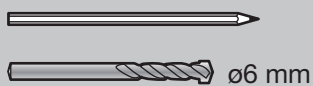
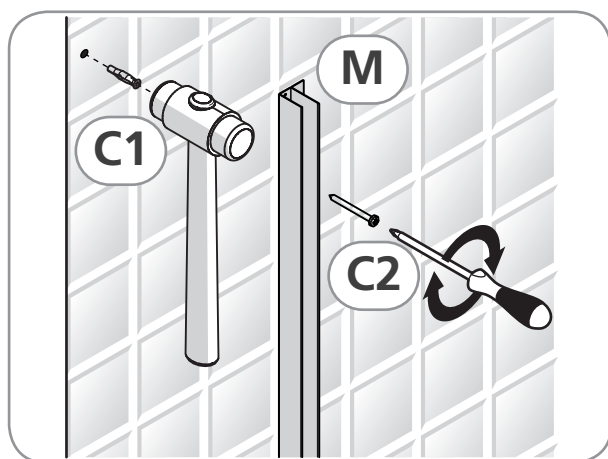
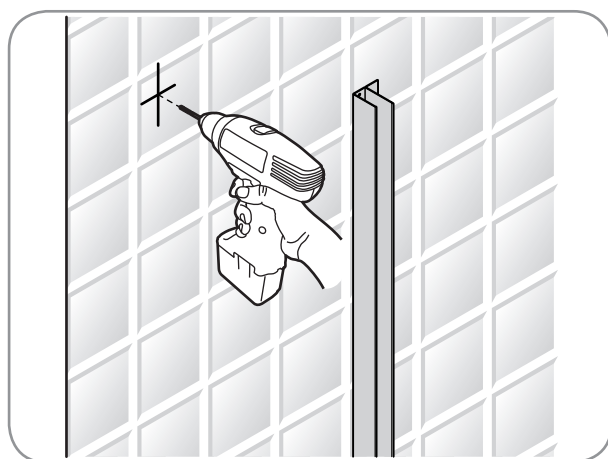
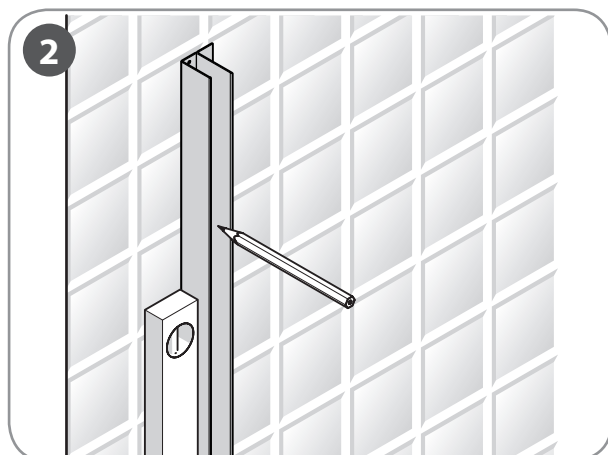
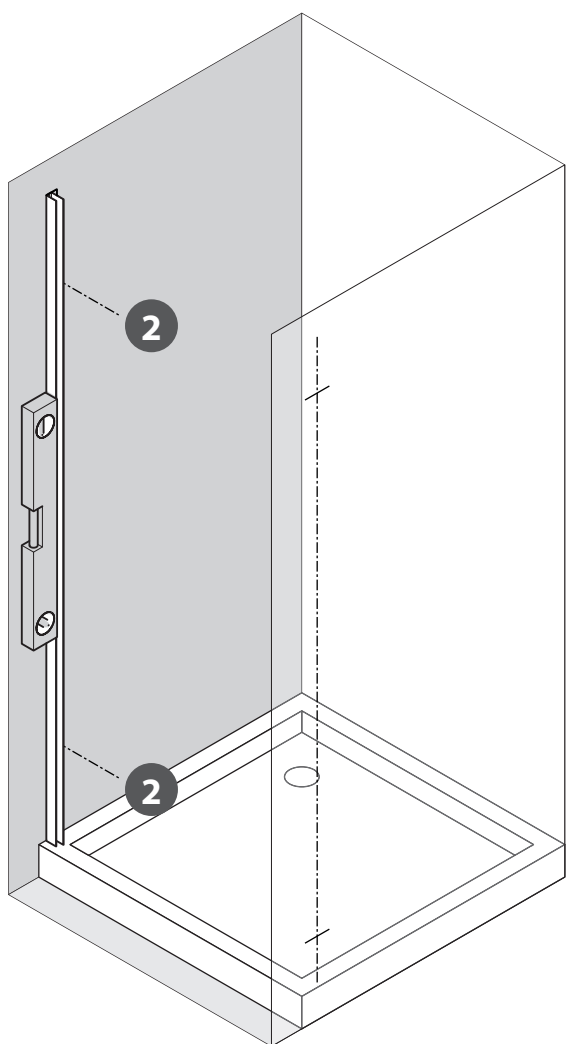
|         |             |
|---------|-------------|
| ELYTS66 | X=66-72 cm  |
| ELYTS72 | X=72-78 cm  |
| ELYTS78 | X=78-84 cm  |
| ELYTS84 | X=84-90 cm  |
| ELYTS90 | X=90-96 cm  |
| ELYTS96 | X=96-102 cm |



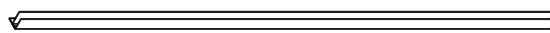
M



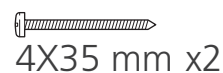
x2



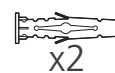
M



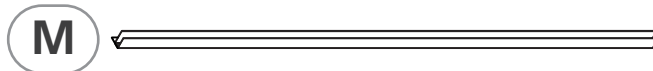
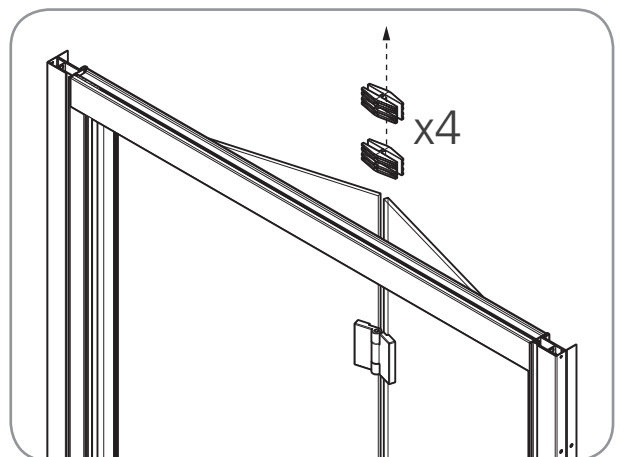
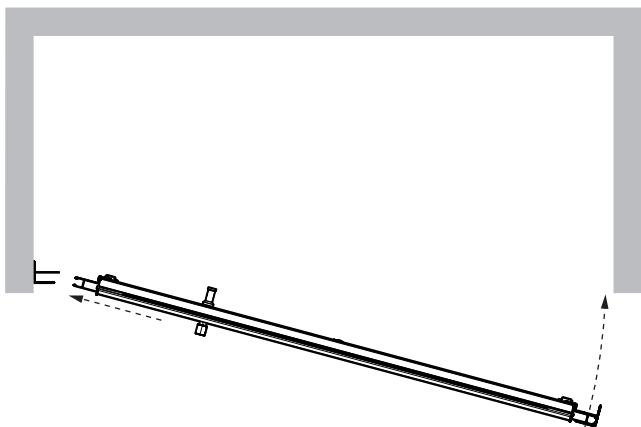
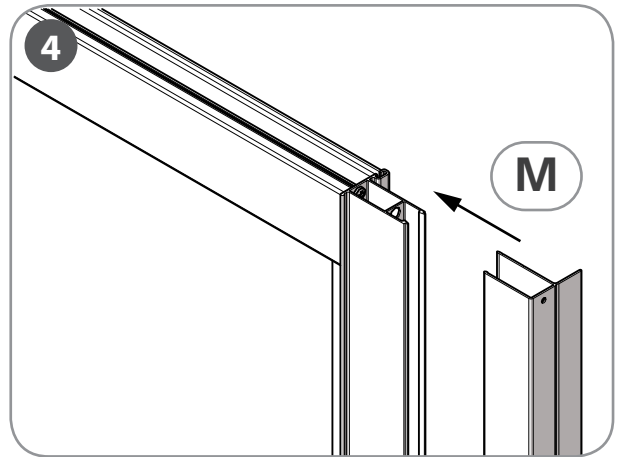
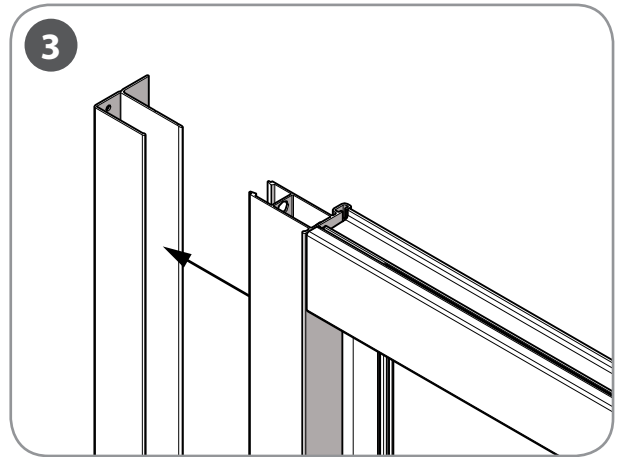
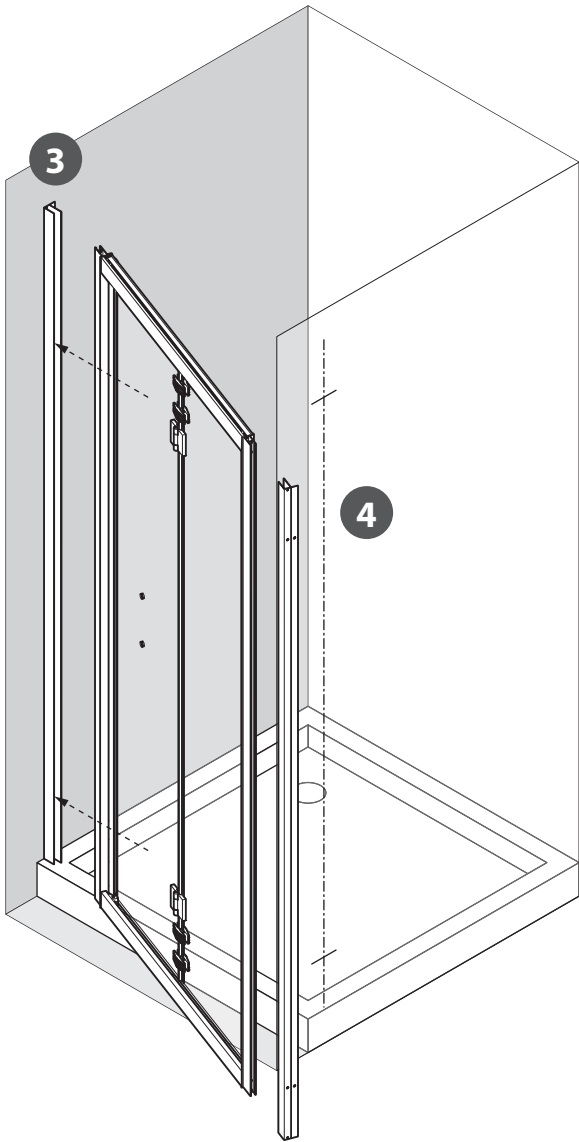
C2

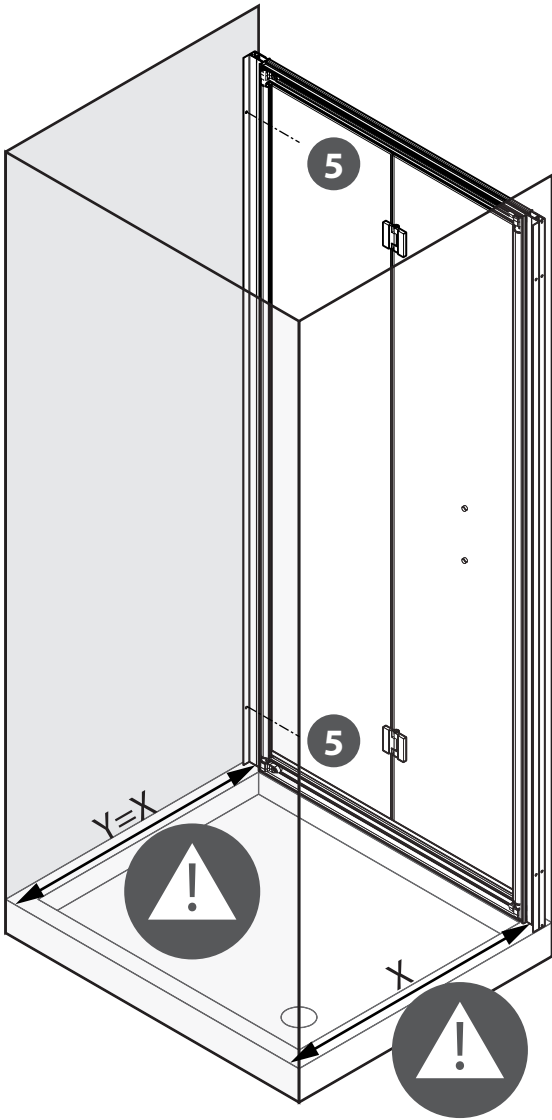
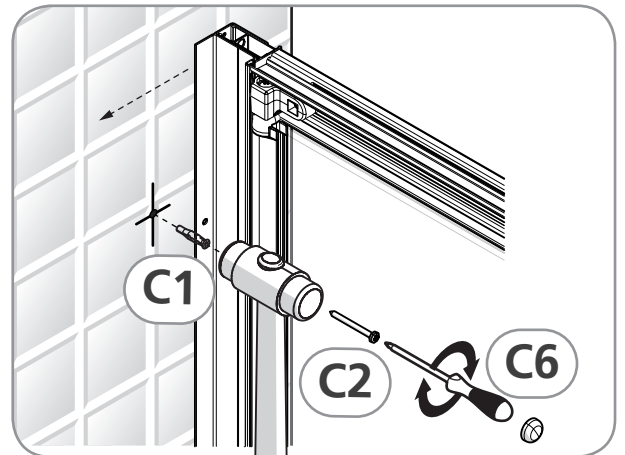
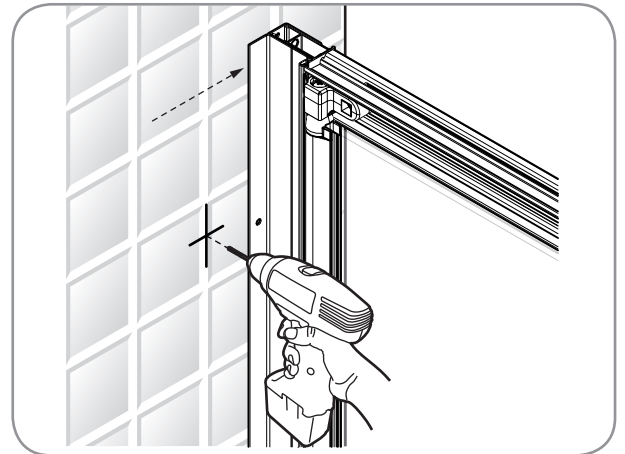
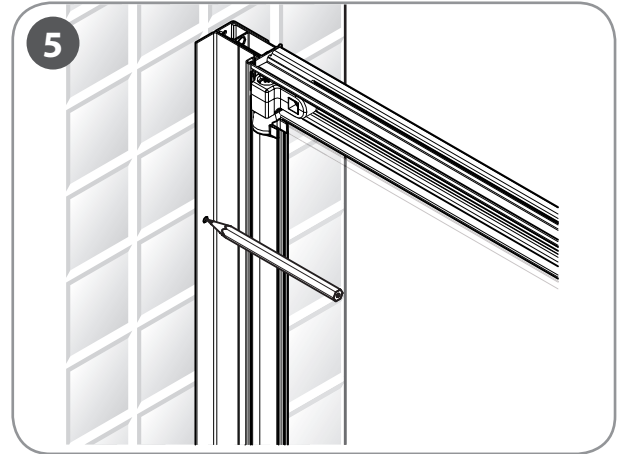
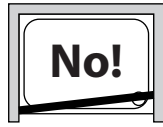


C1



3



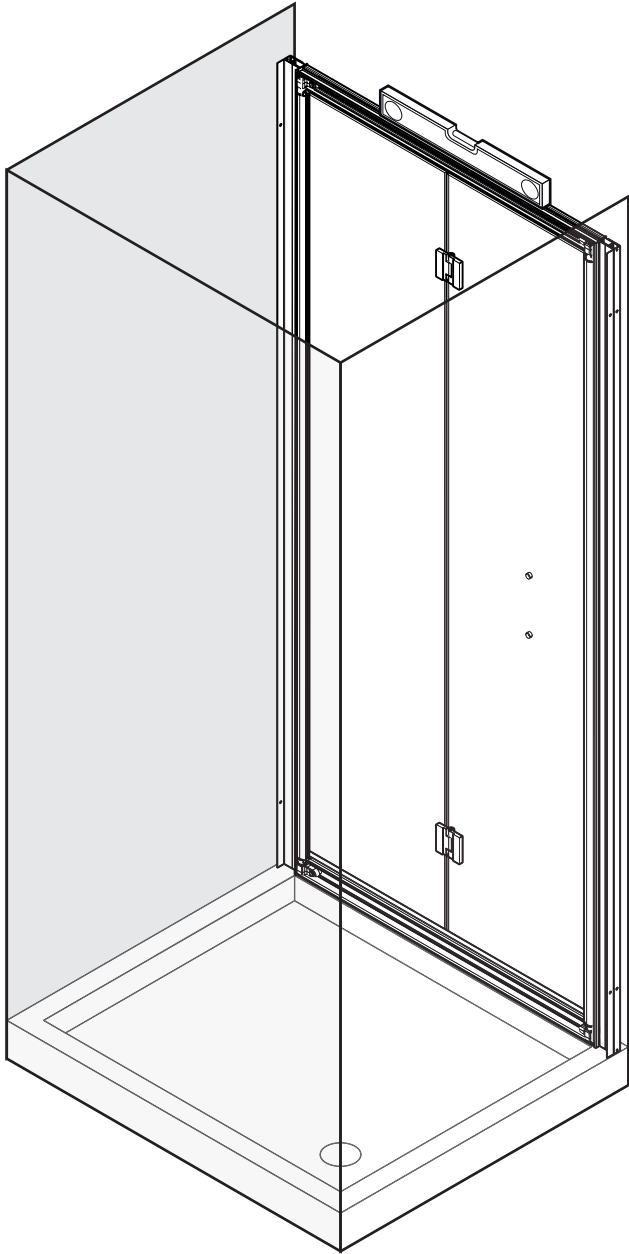


**C2** x2  
4X35 mm

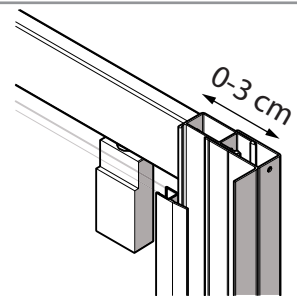
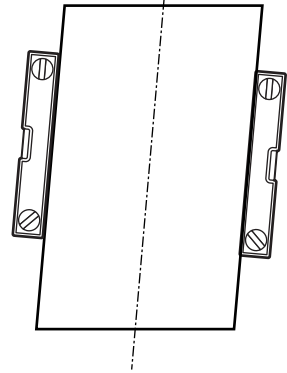
**C1** x2

**C6** x2

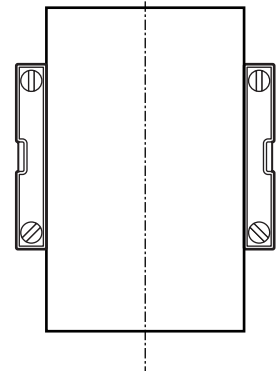
5



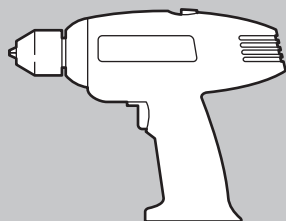
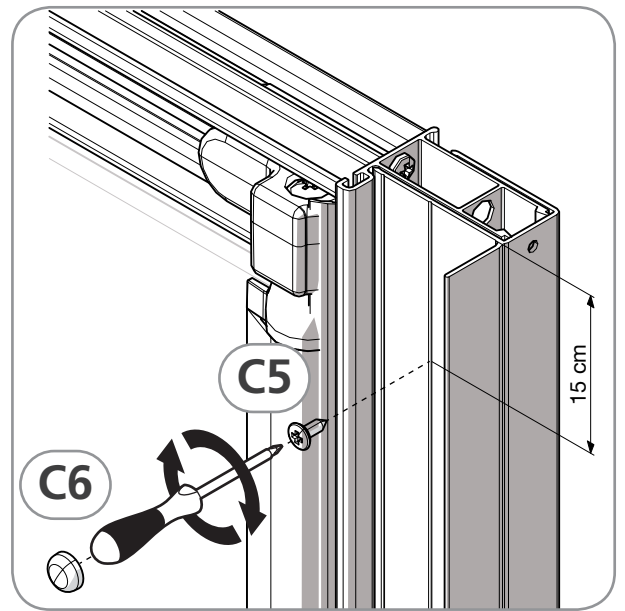
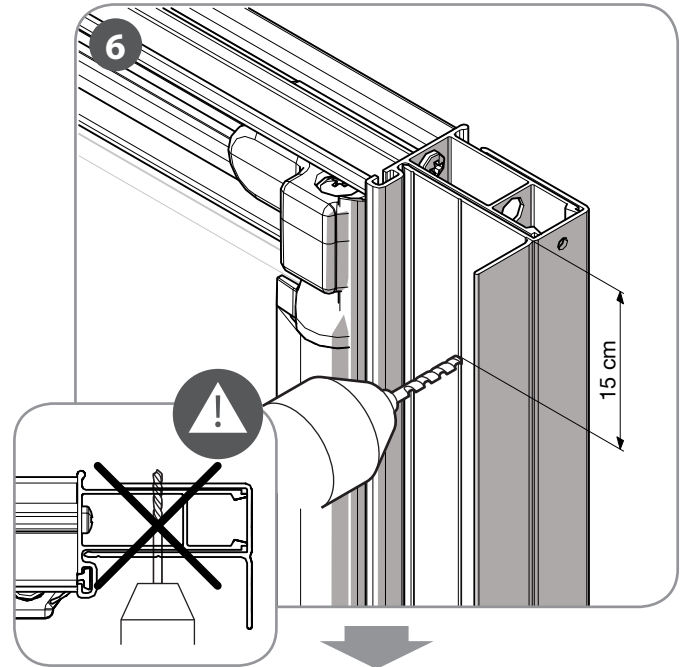
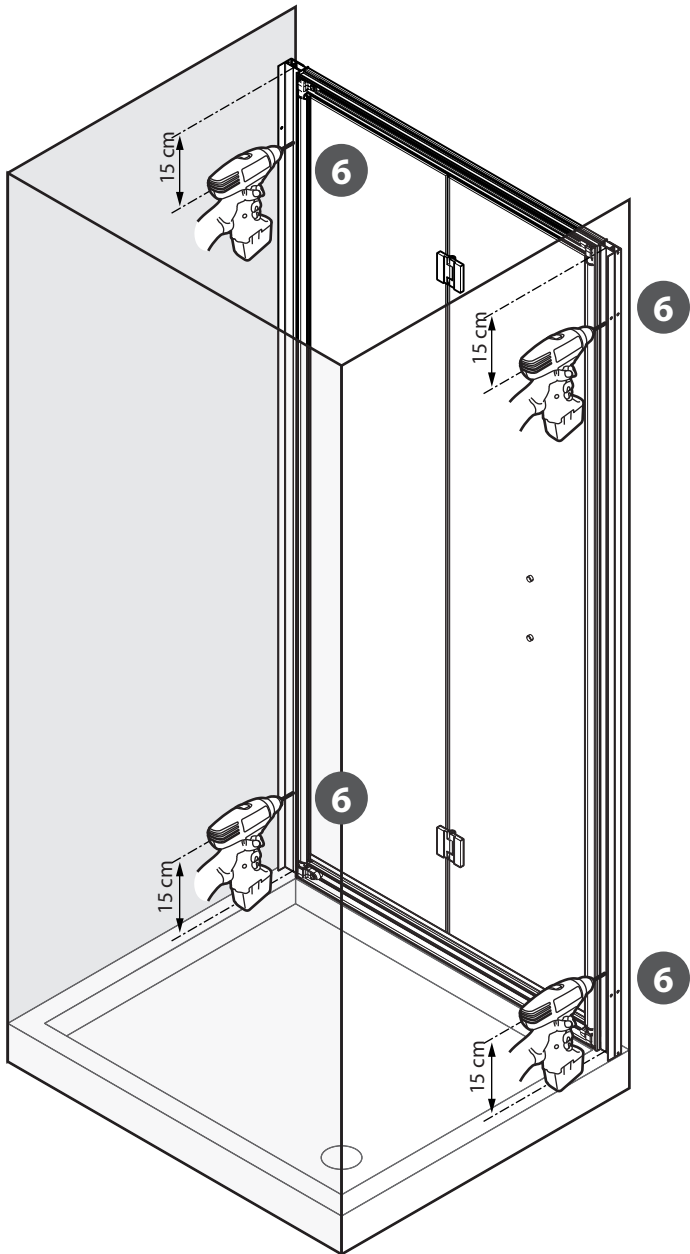
No!



OK







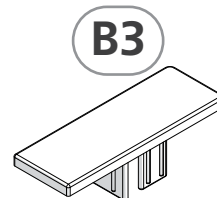
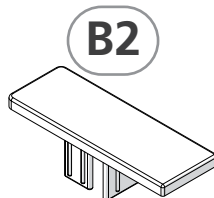
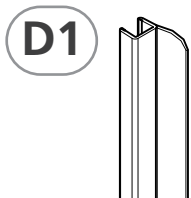
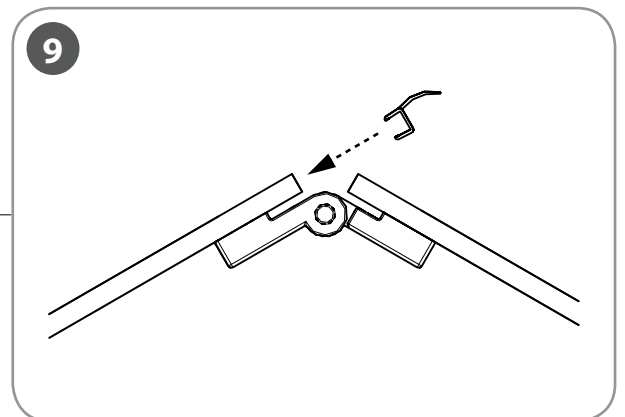
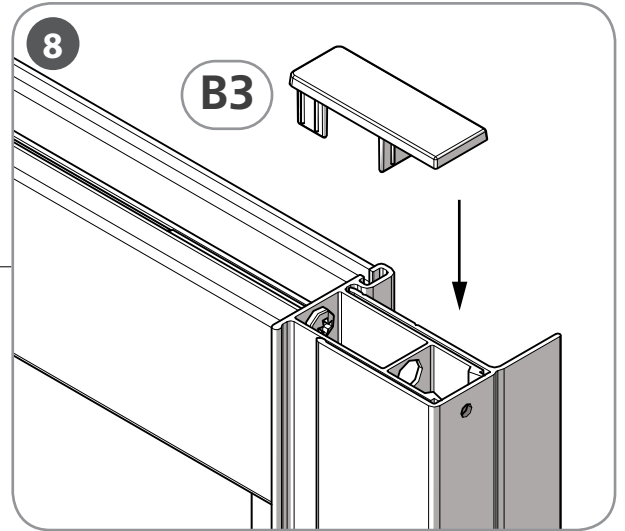
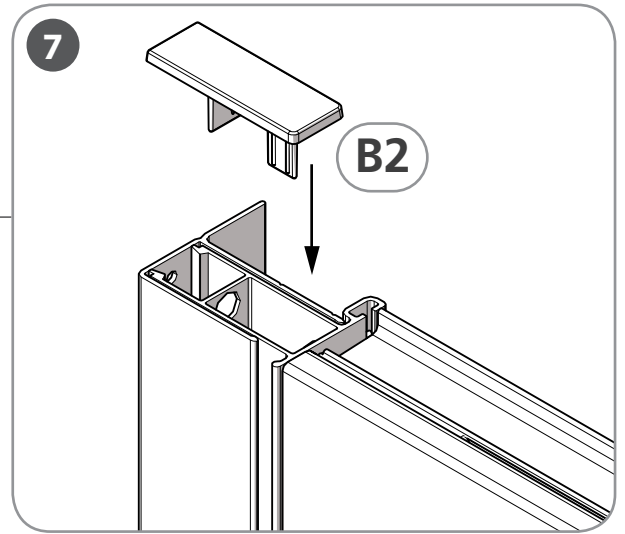
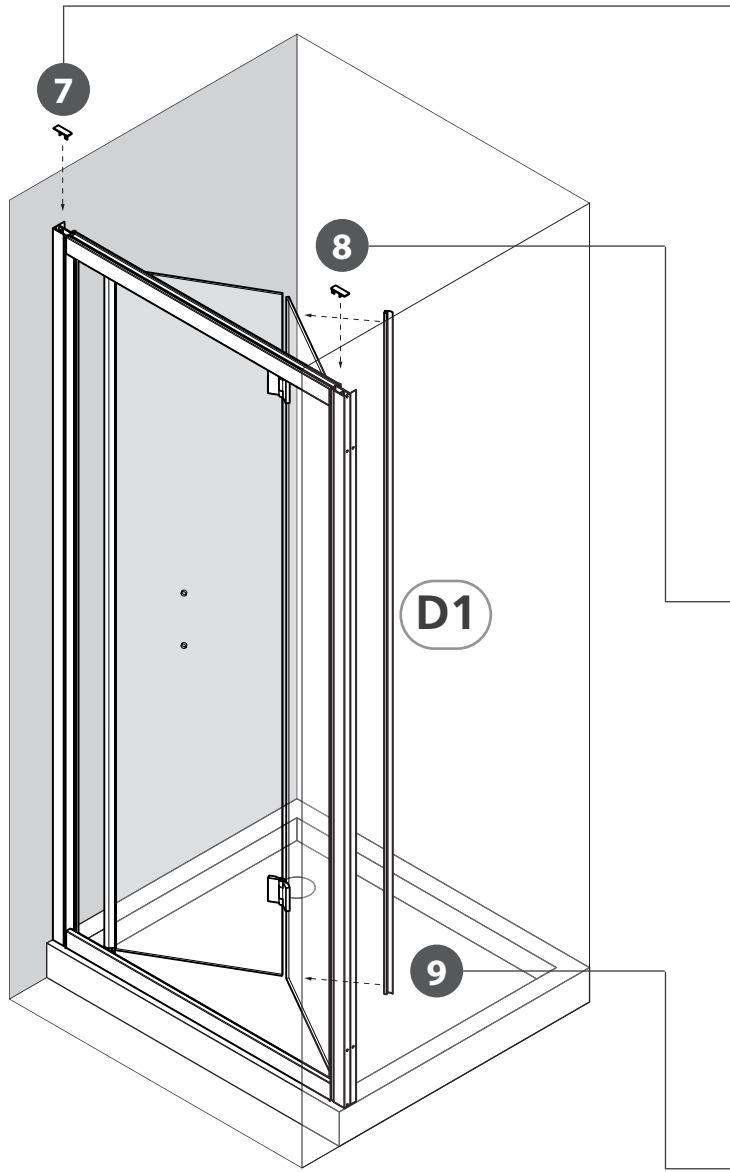
Ø3 mm

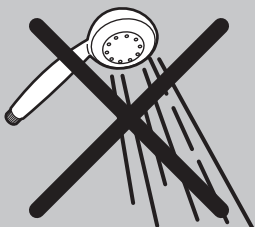
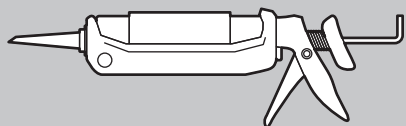
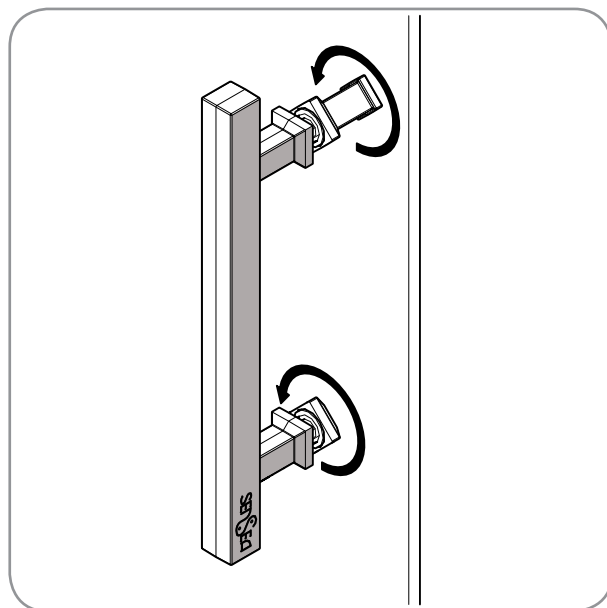
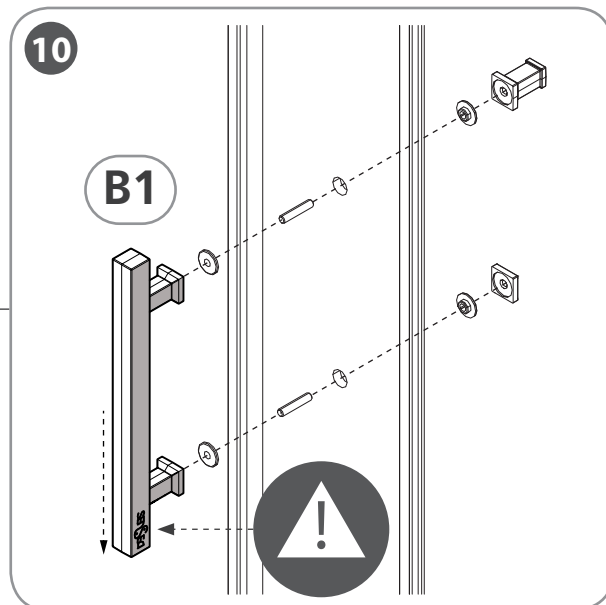
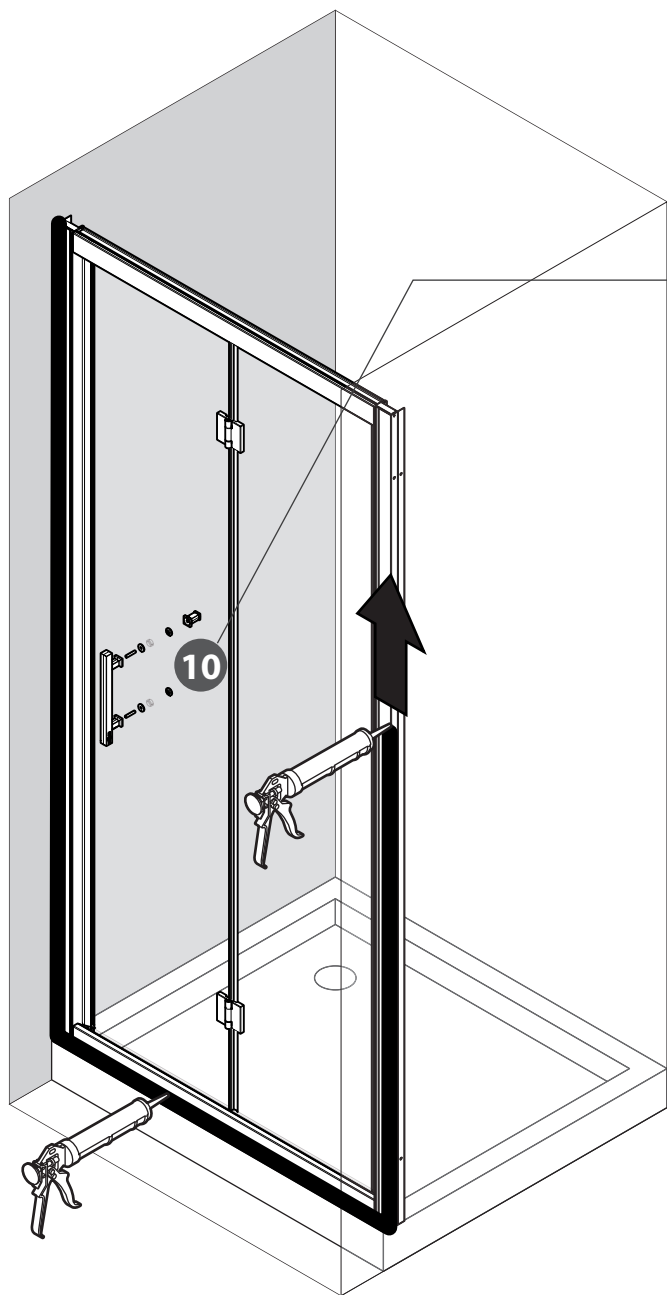


3,5x9,5 mm  
x4



x4





B1

