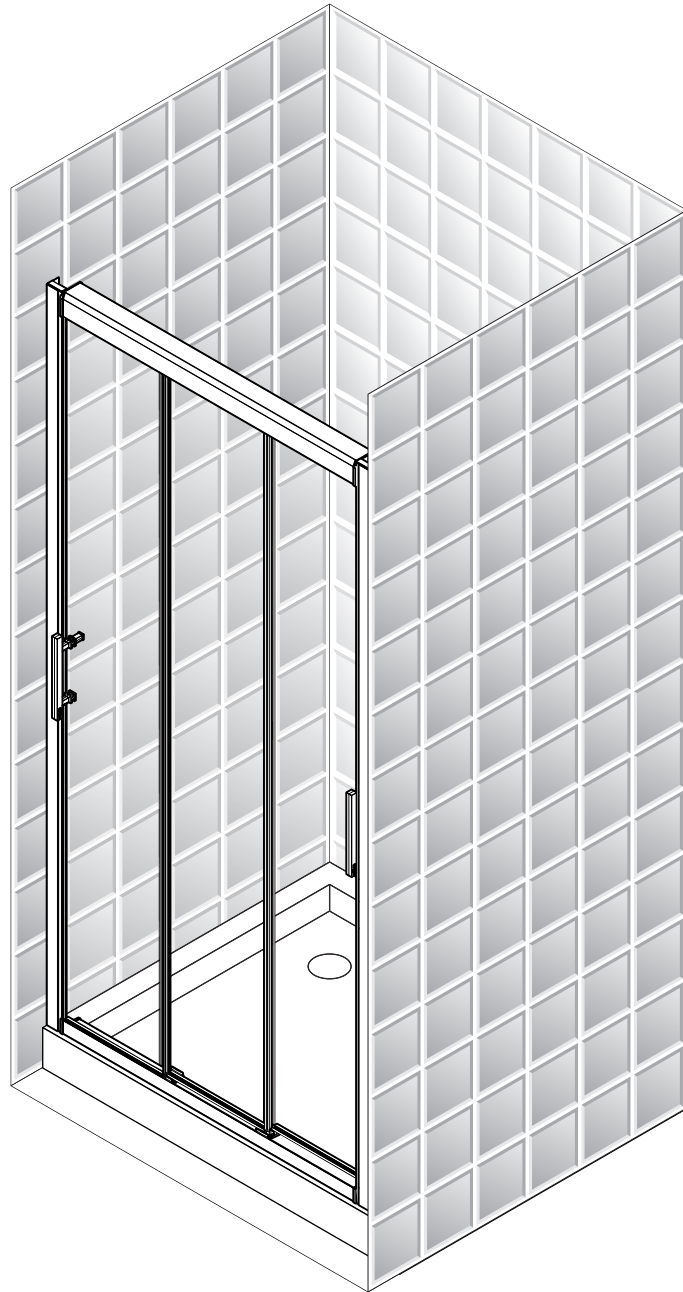
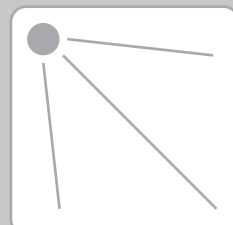


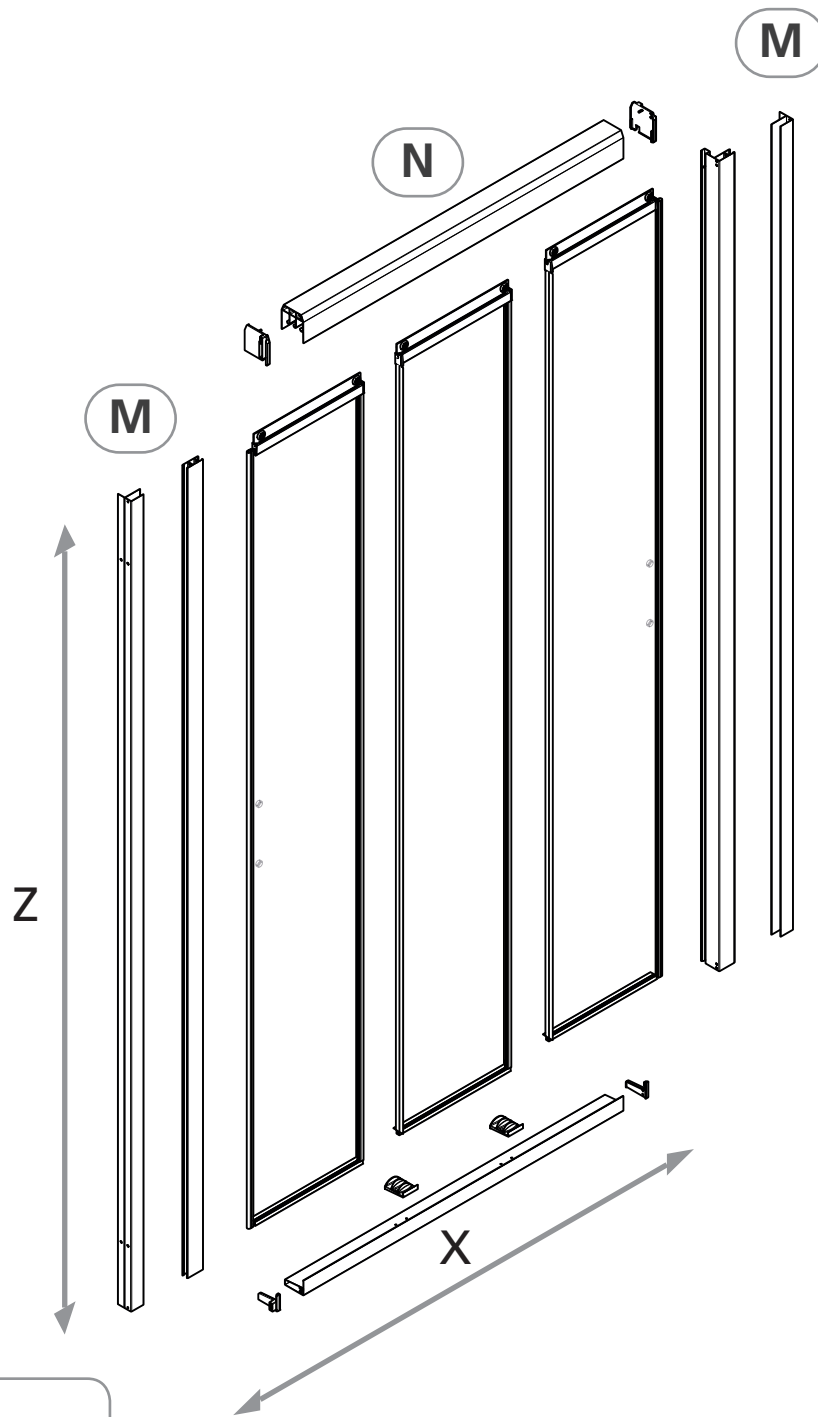


ELYT - P

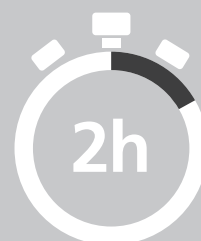


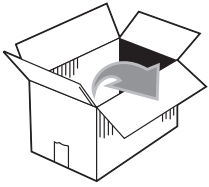
- ELYTP78
- ELYTP84
- ELYTP90
- ELYTP96
- ELYTP102
- ELYTP108
- ELYTP114



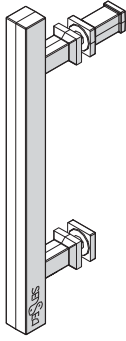


ELYTP78	X=78-84 cm	Z=190 cm
ELYTP84	X=84-90 cm	Z=190 cm
ELYTP90	X=90-96 cm	Z=190 cm
ELYTP96	X=96-102 cm	Z=190 cm
ELYTP102	X=102-108 cm	Z=190 cm
ELYTP108	X=108-114 cm	Z=190 cm
ELYTP114	X=114-120 cm	Z=190 cm

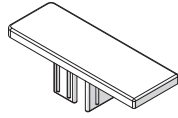




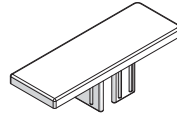
B1 x2



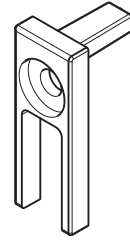
B2



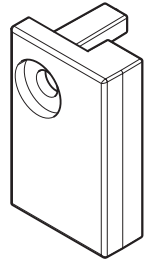
B3



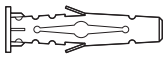
B4 x2



B5 x4



C1 x4



C2 x4



4X35 mm

C5 x10



3,5x9,5 mm

C6 x6

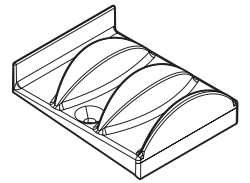


C7 x4



3,5x16 mm

B6 x2



D1



1819 mm



1900 mm

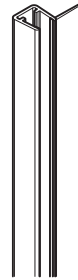
D2 x4



D3 x2

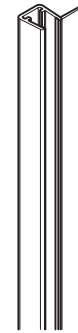


D4 x2

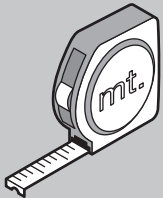
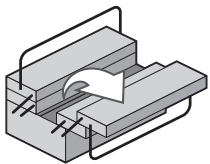


X mm

D5 x1



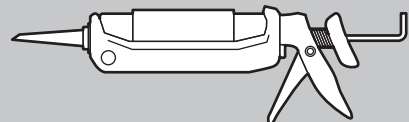
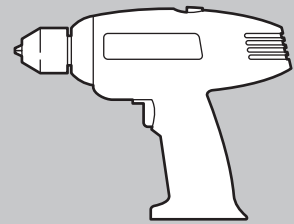
Y mm



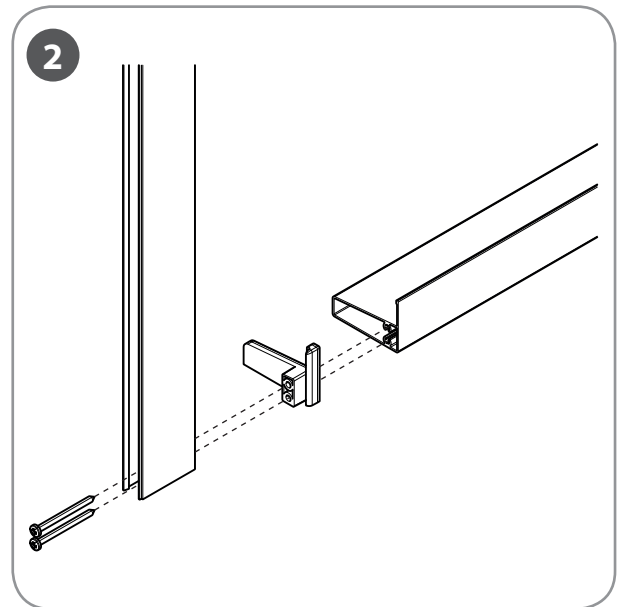
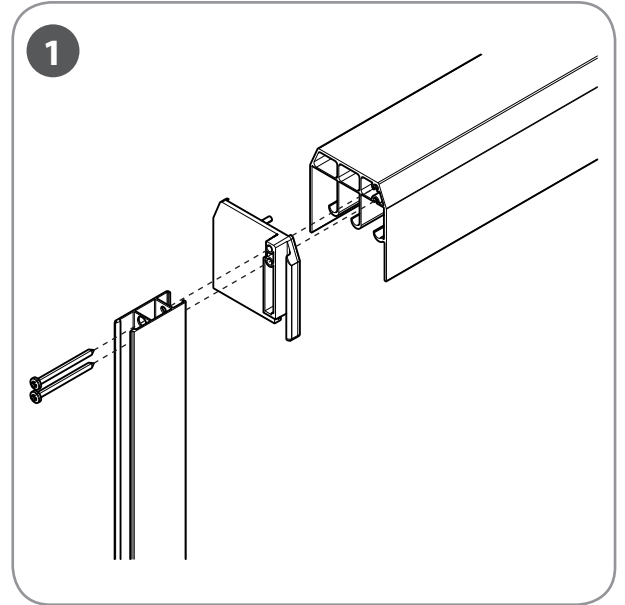
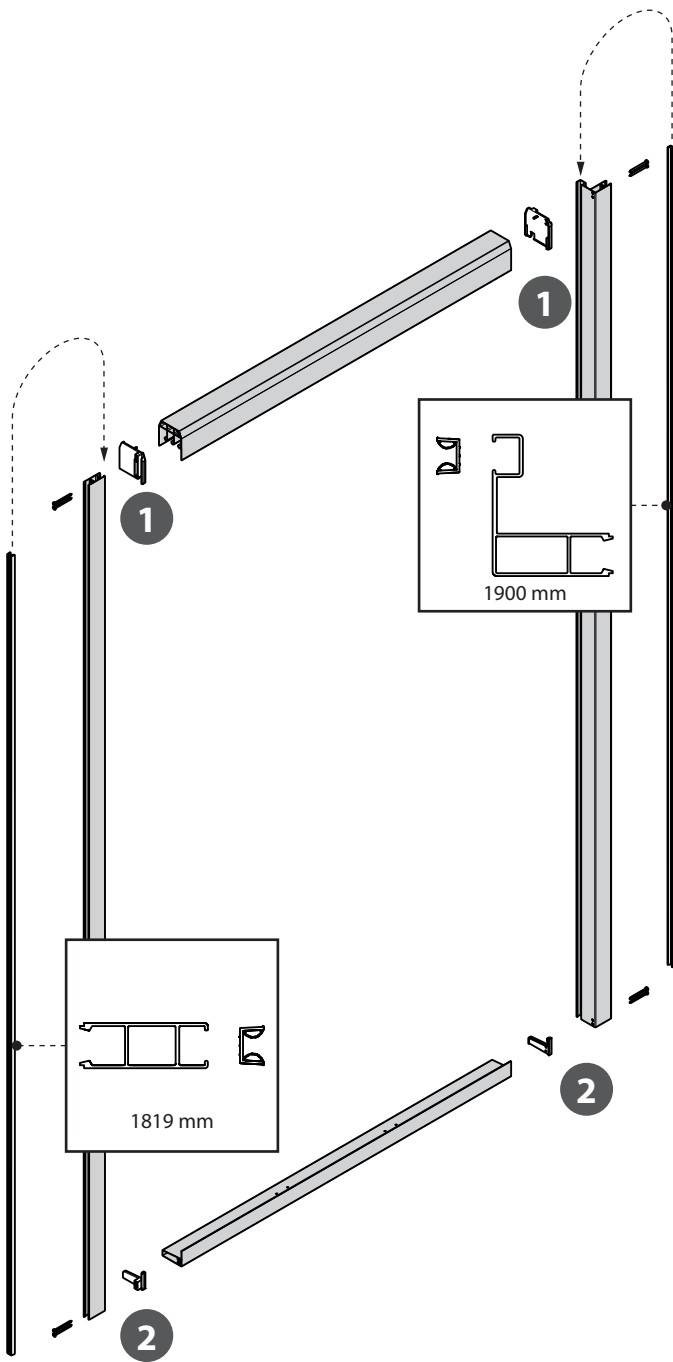
ø6 mm



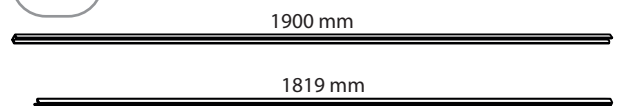
ø3 mm

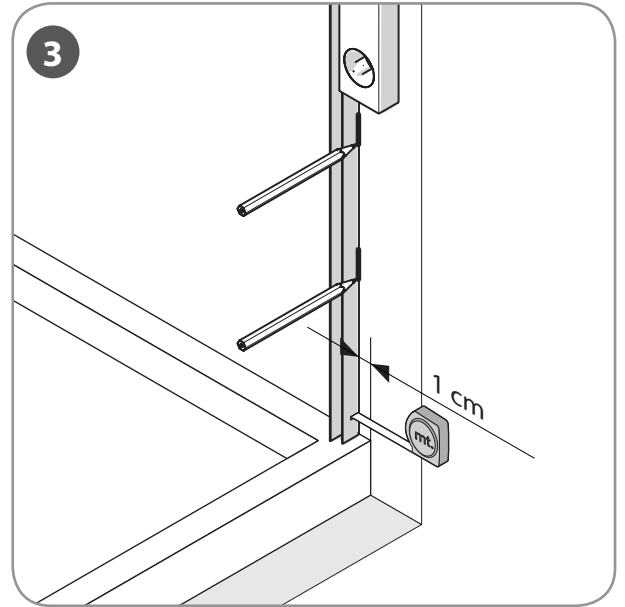
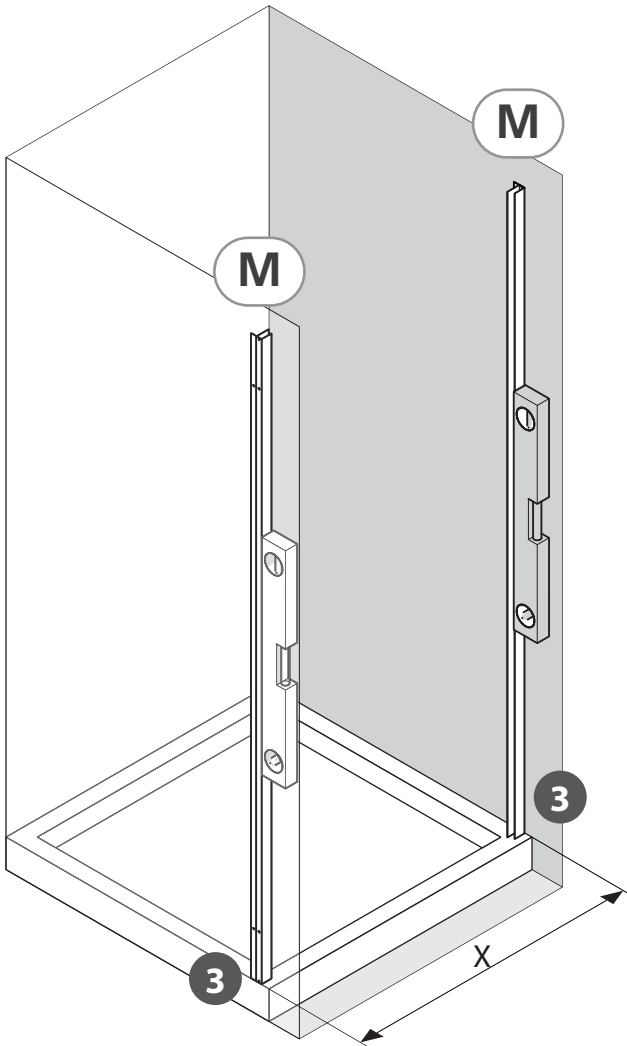


1

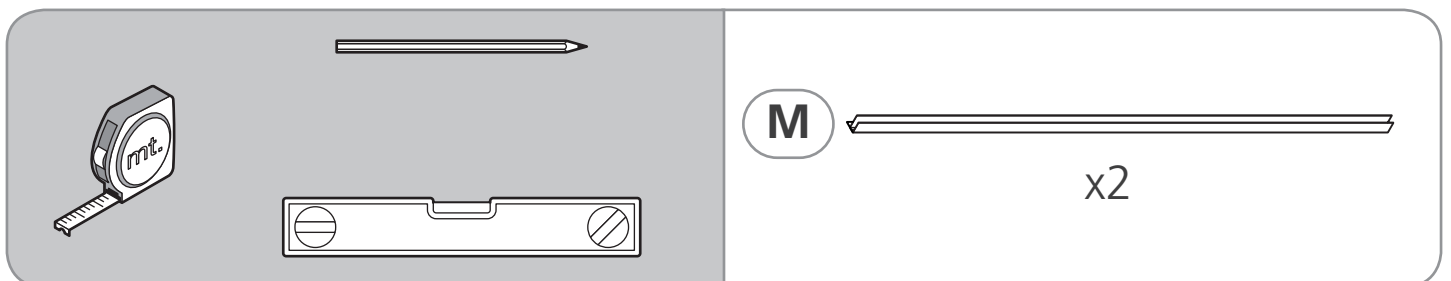


D1

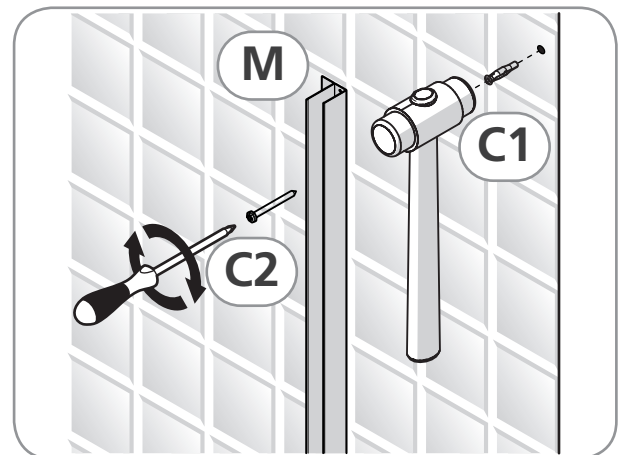
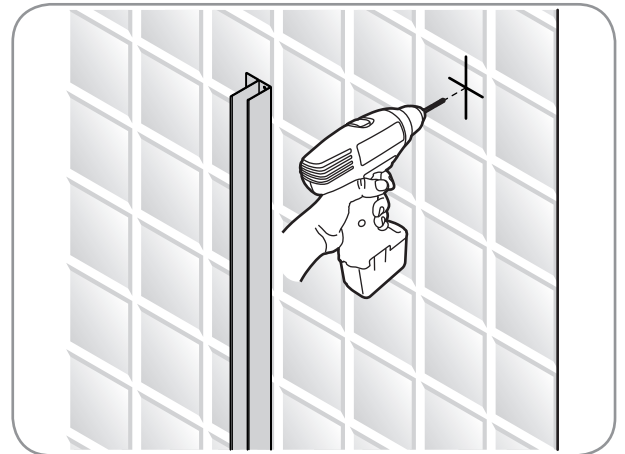
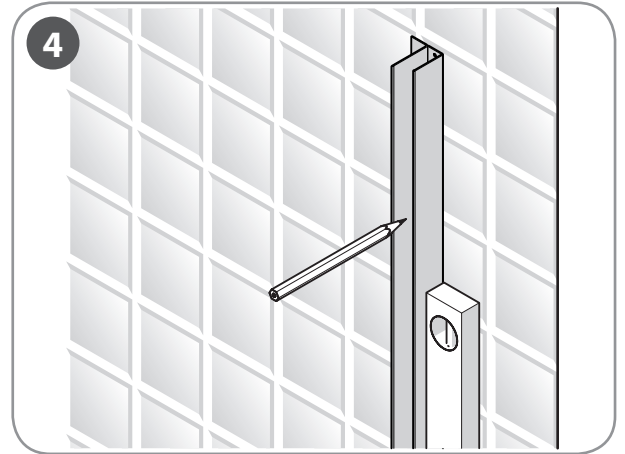
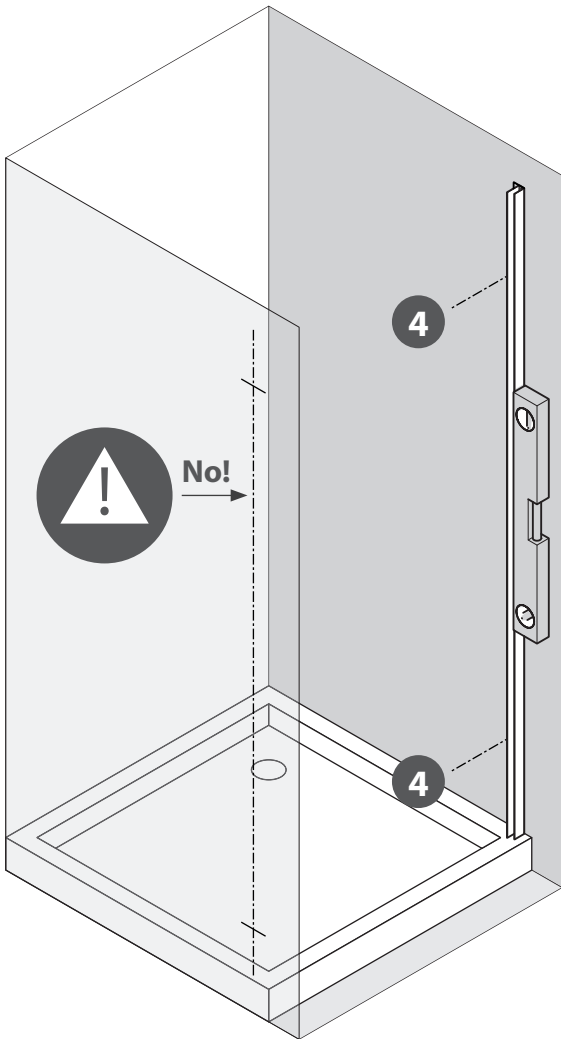




ELYTP78	X=78-84 cm
ELYTP84	X=84-90 cm
ELYTP90	X=90-96 cm
ELYTP96	X=96-102 cm
ELYTP102	X=102-108 cm
ELYTP108	X=108-114 cm
ELYTP114	X=114-120 cm

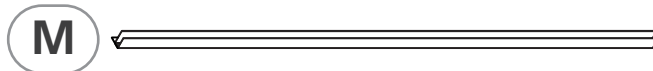
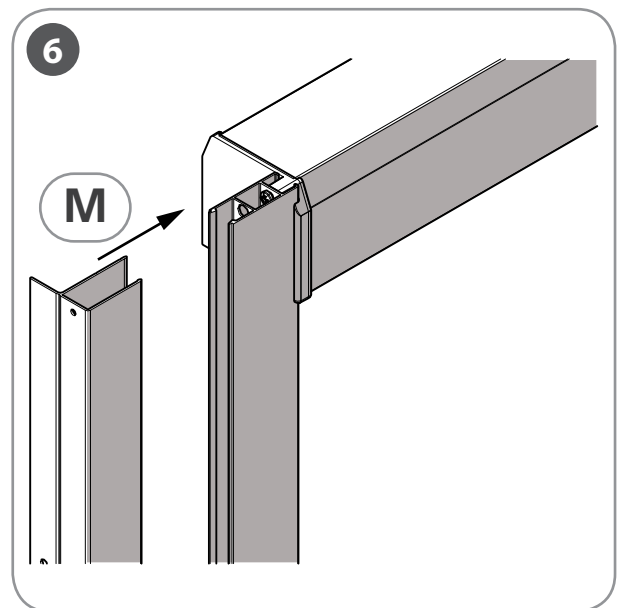
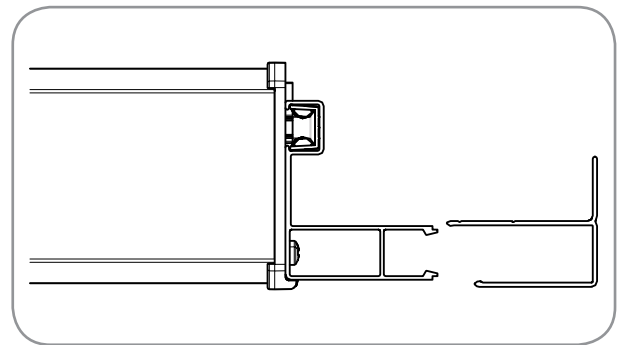
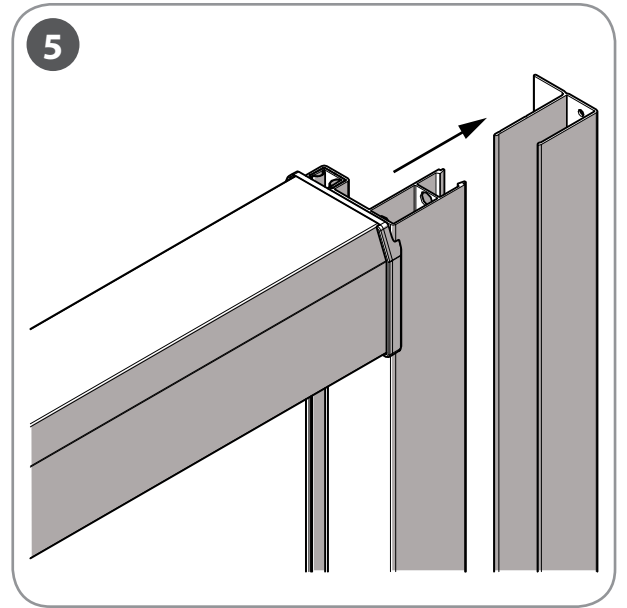
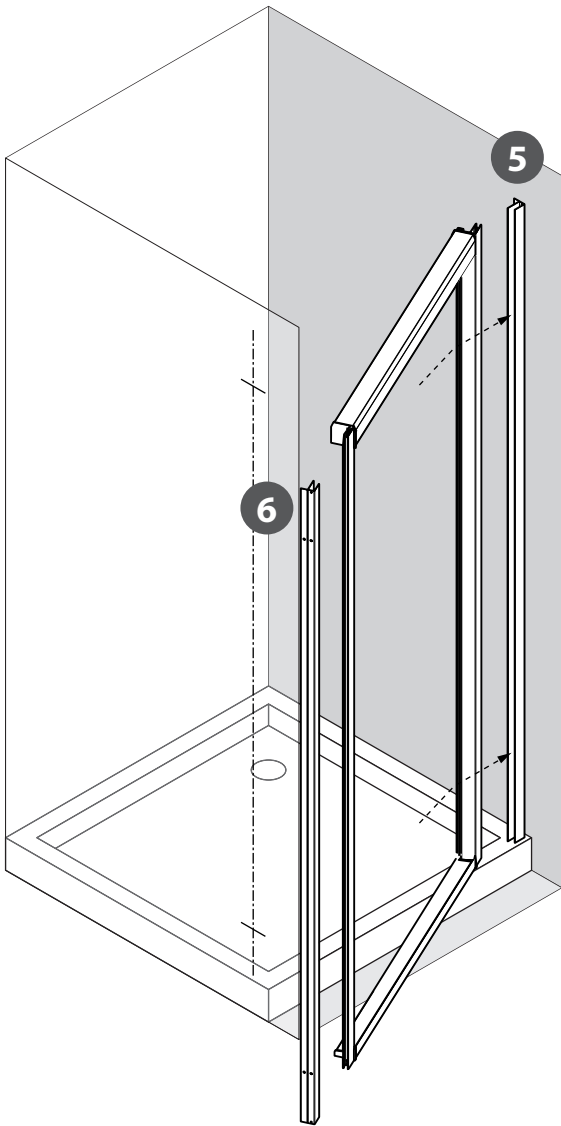


3

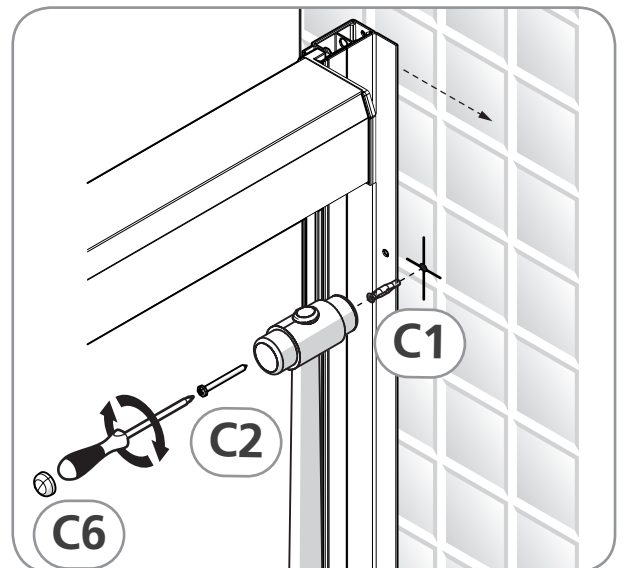
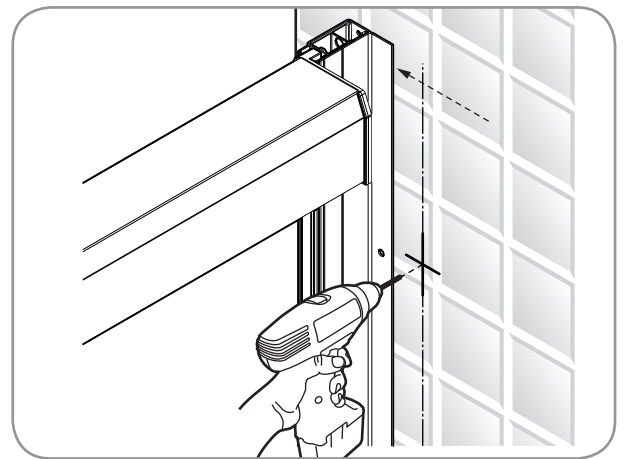
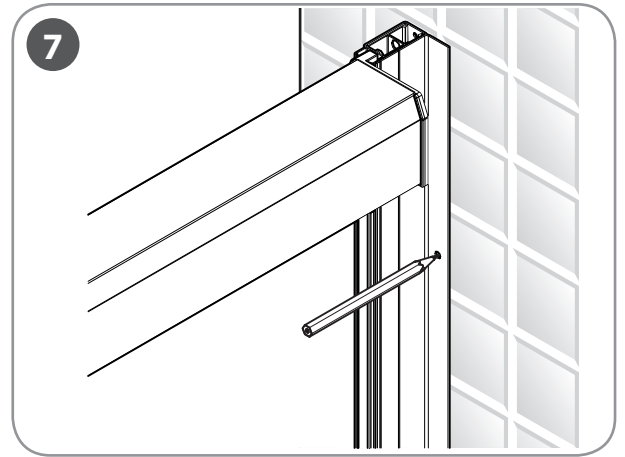
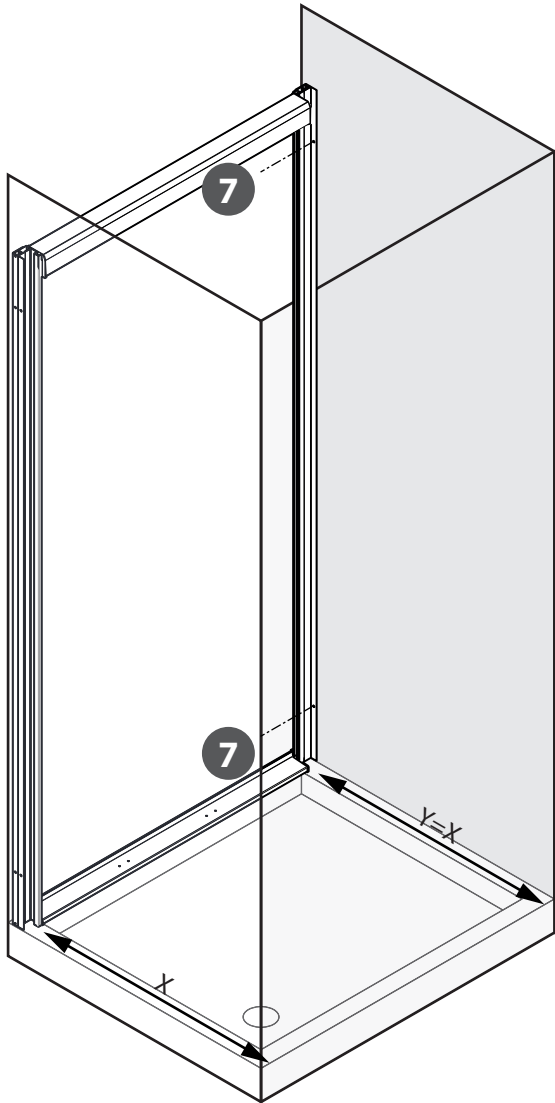
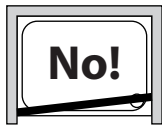


C2 x2
4X35 mm

C1 x2



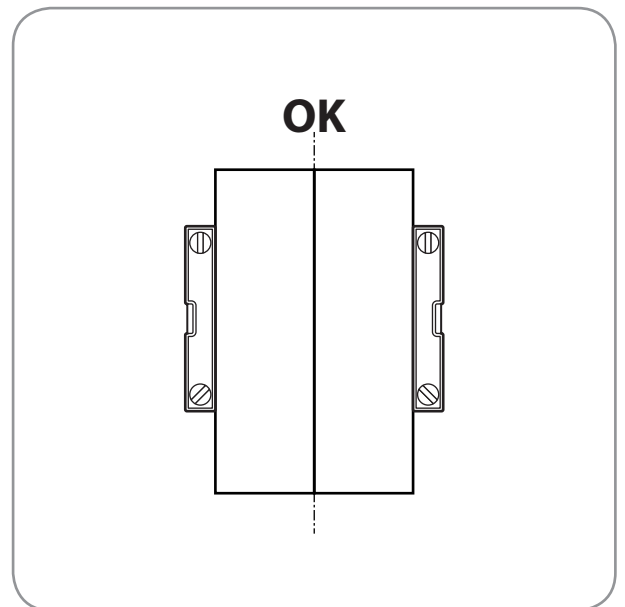
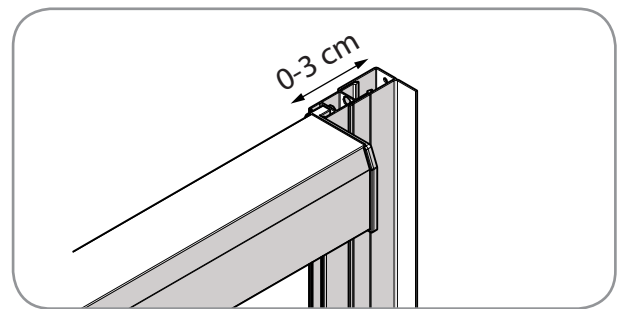
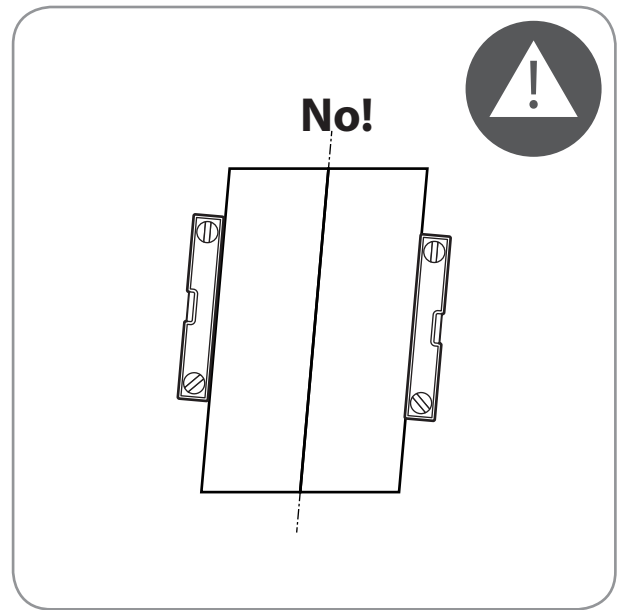
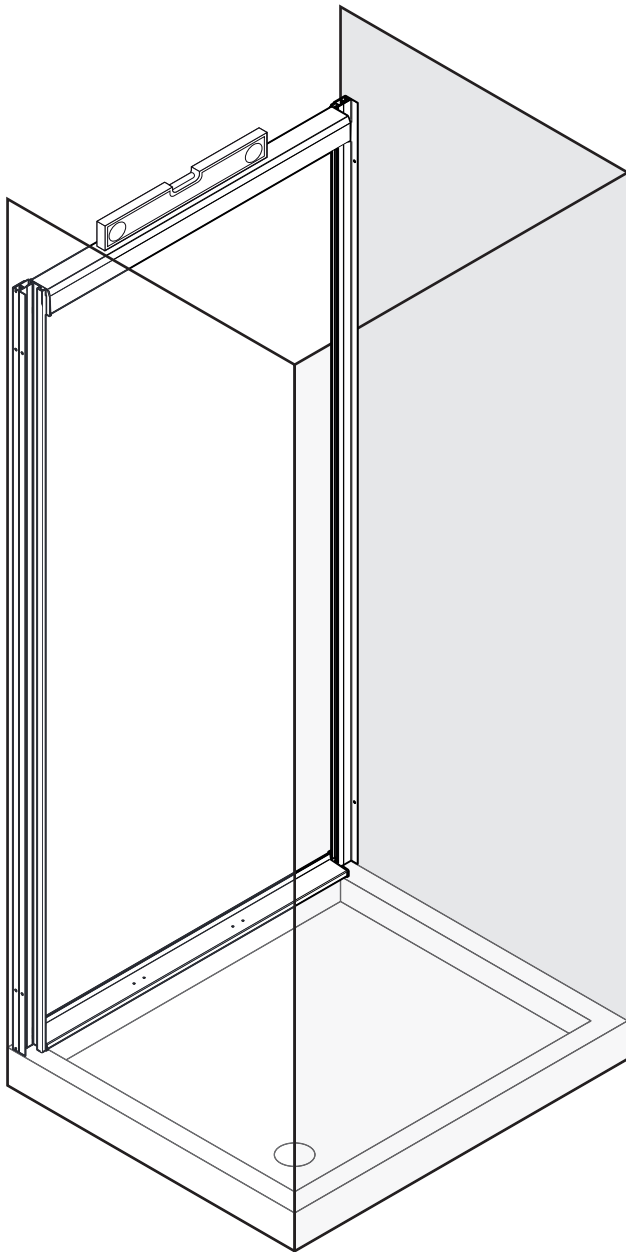
5



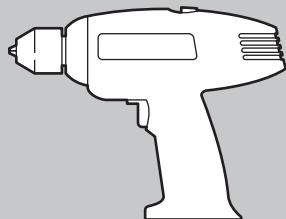
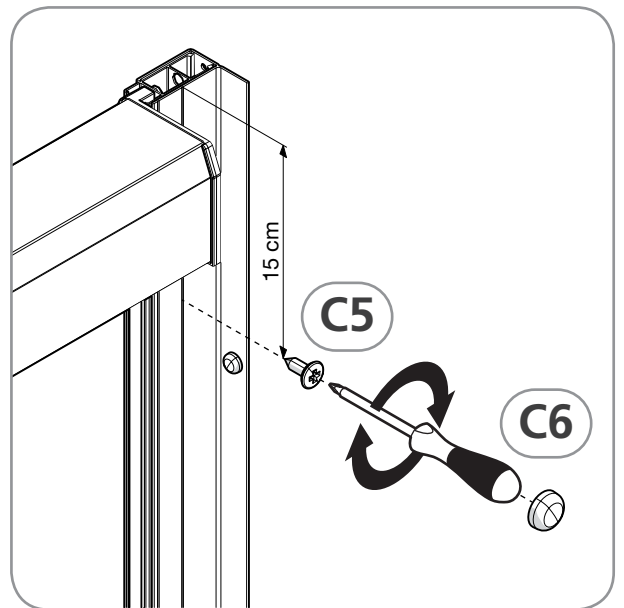
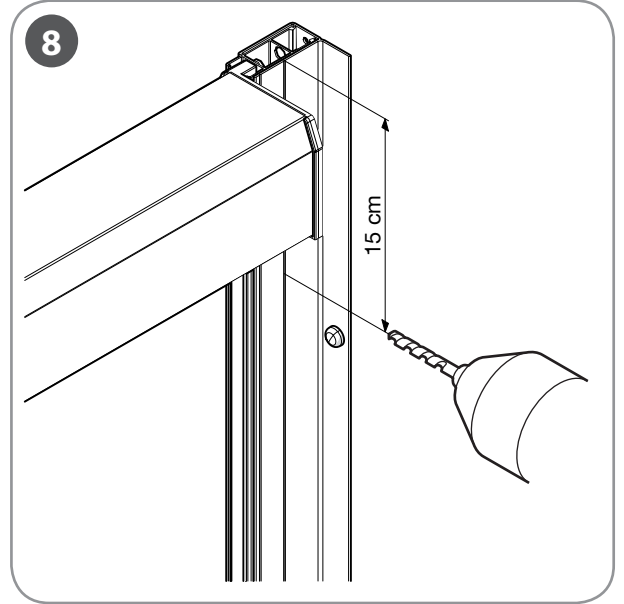
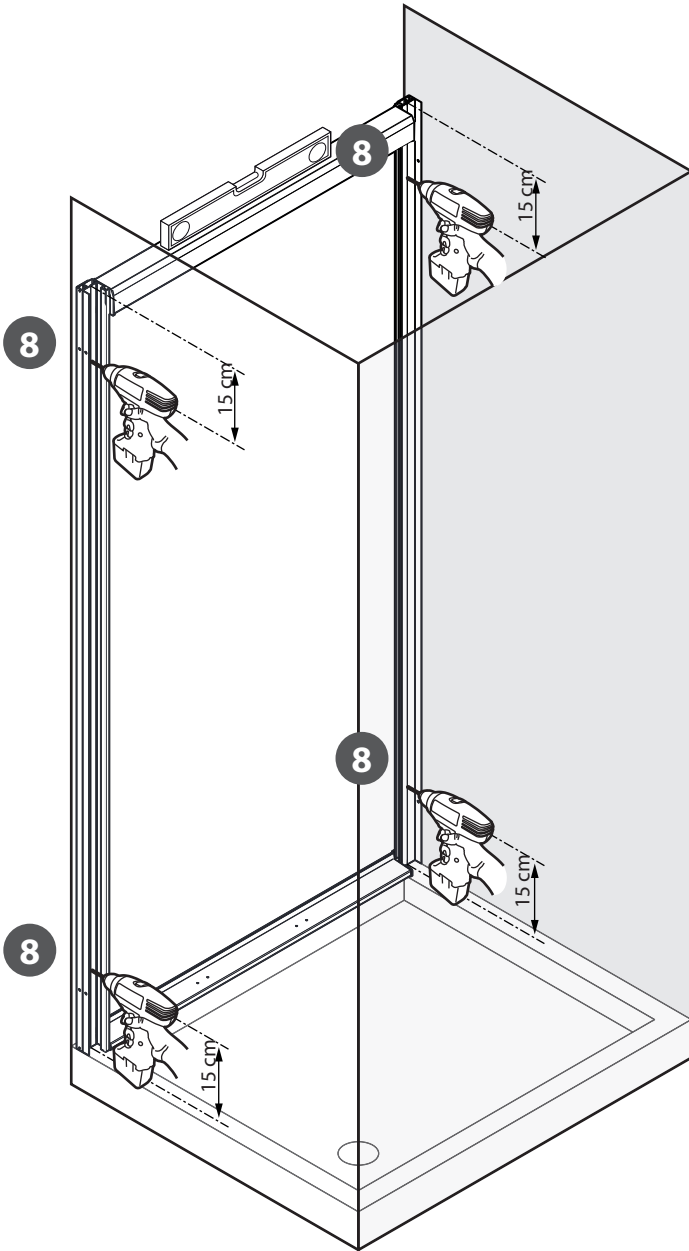
C2 x2
4X35 mm

C1 x2

C6 x2



7



Ø3 mm

C5

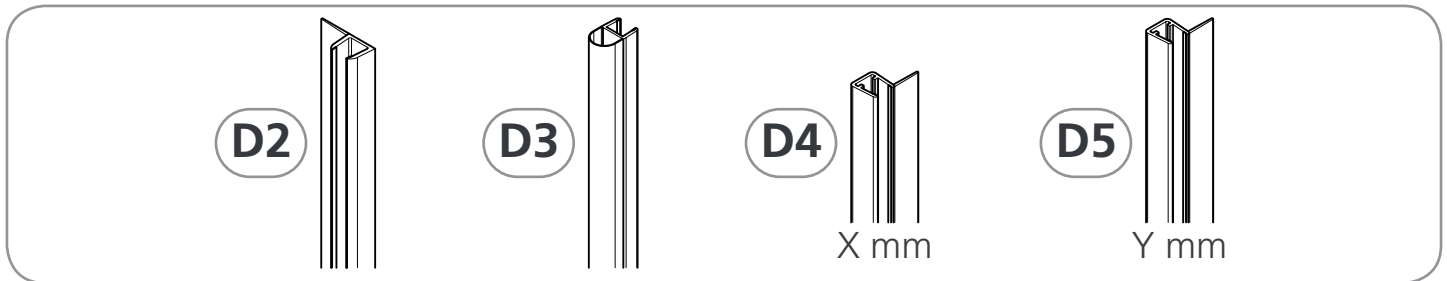
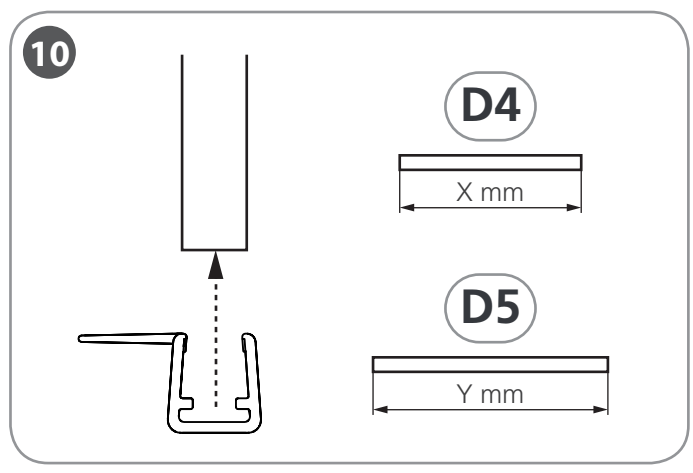
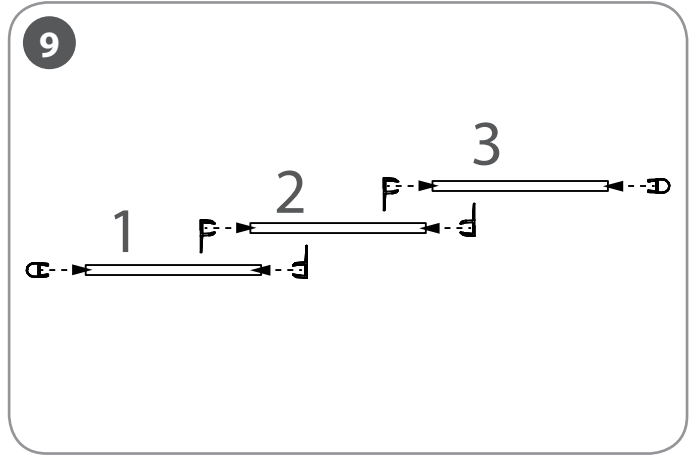
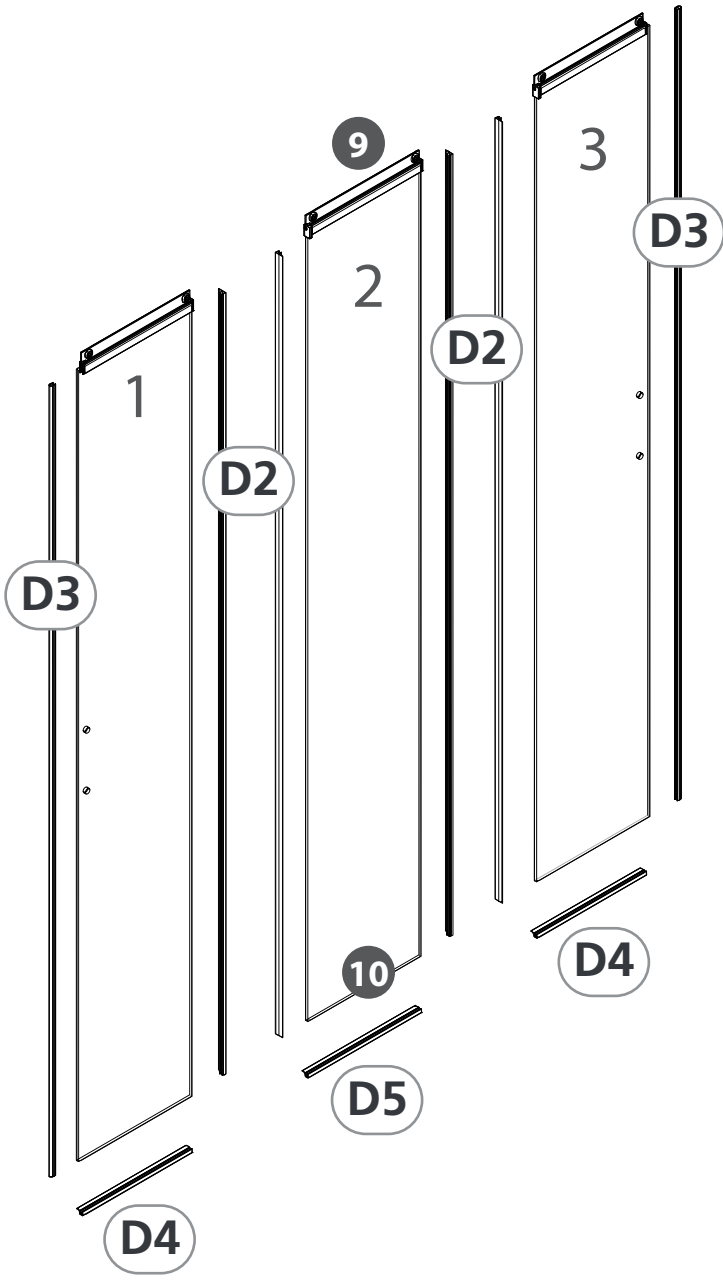


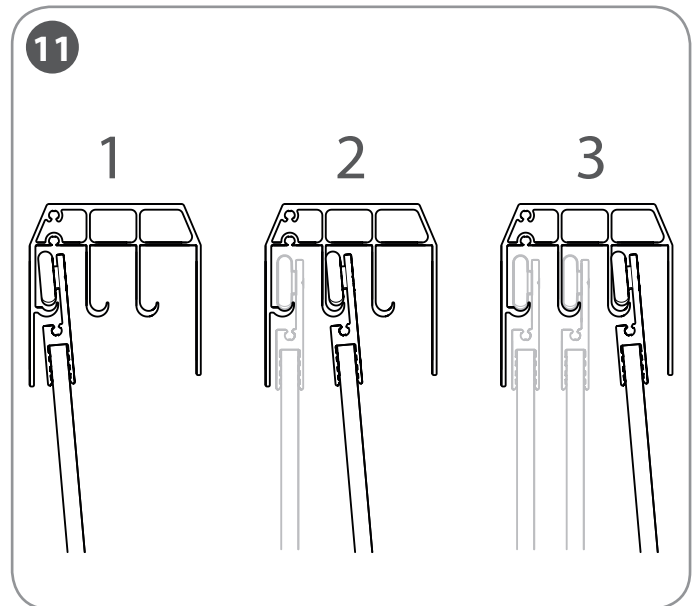
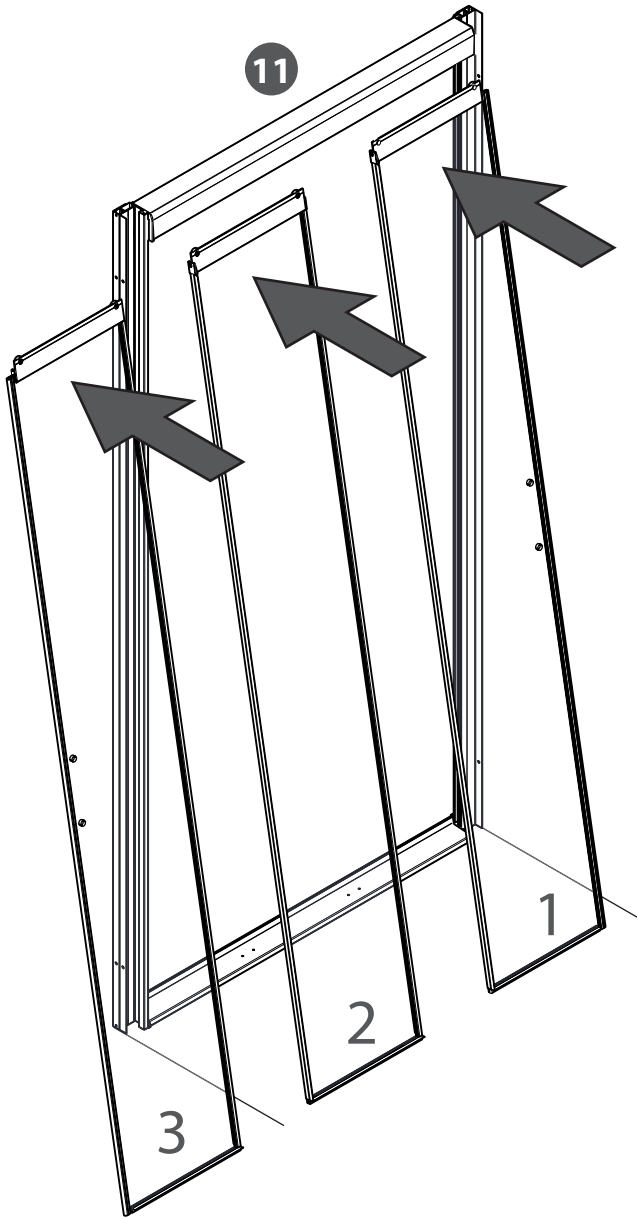
3,5x9,5 mm
x4

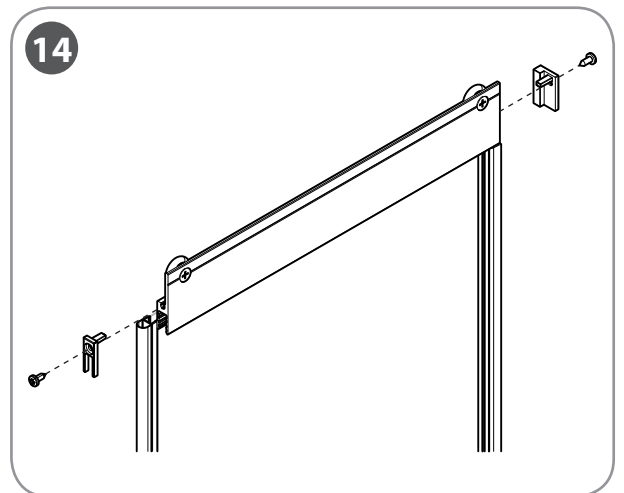
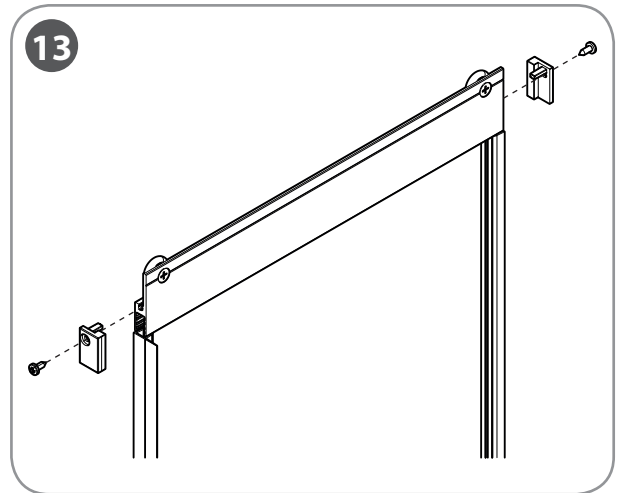
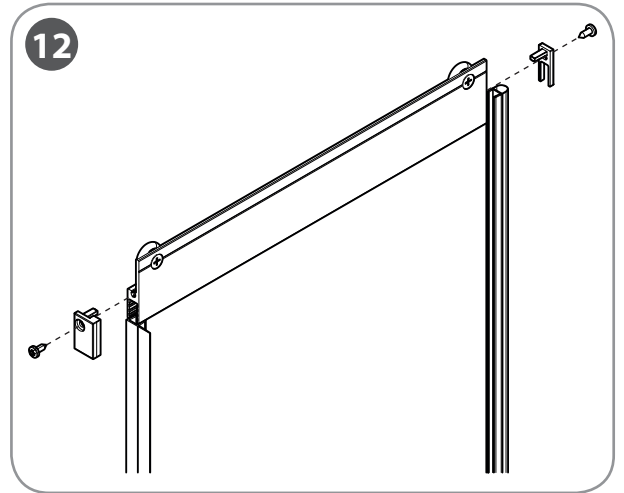
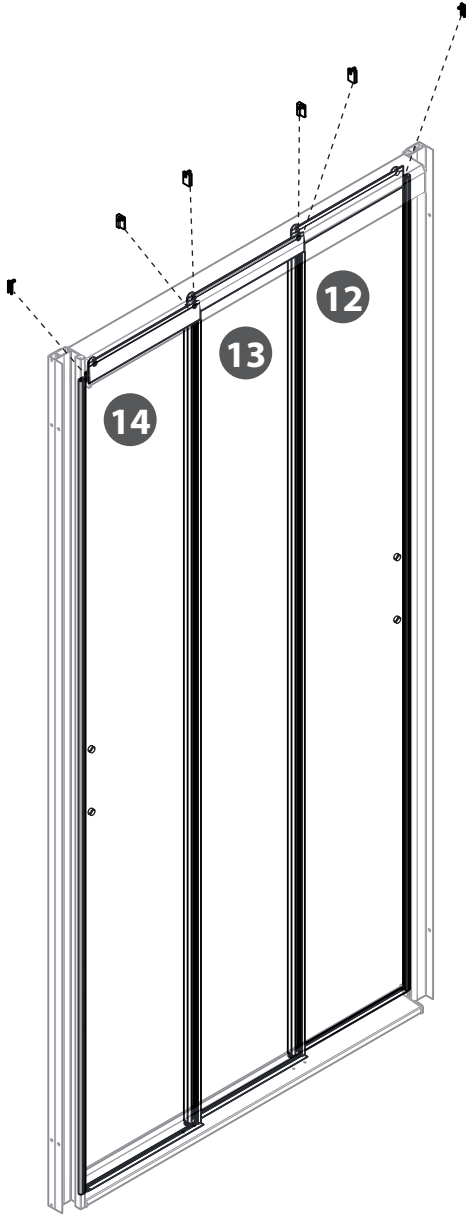
C6



x4





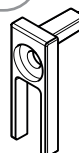


C5

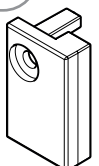


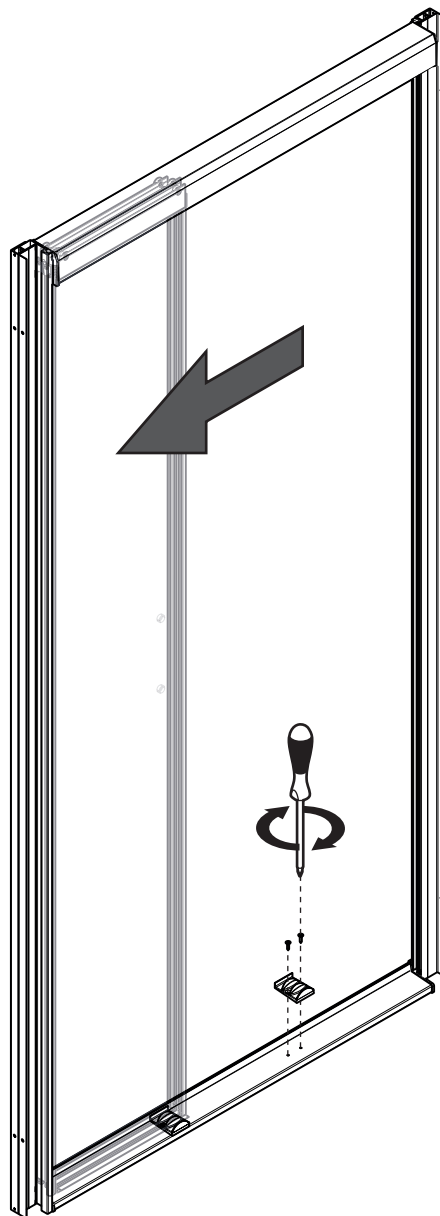
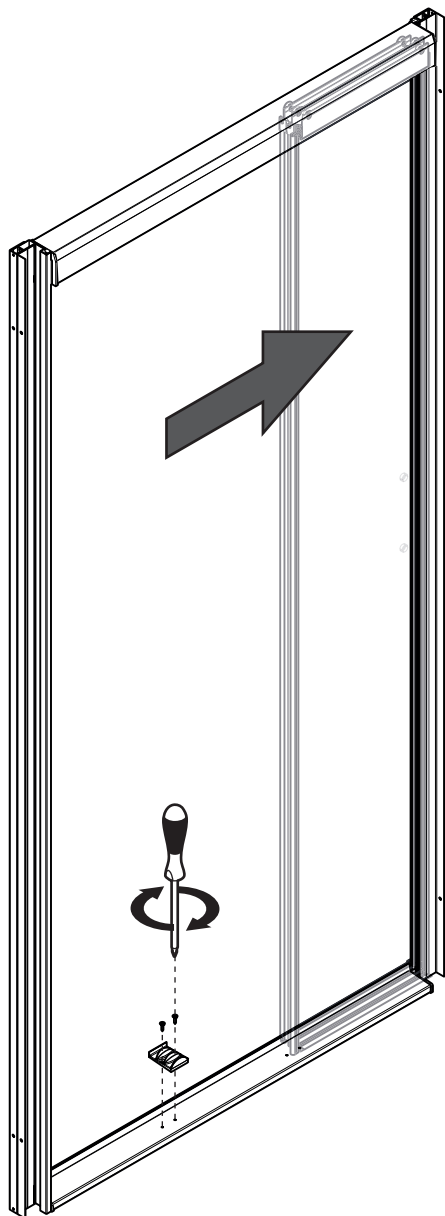
3,5x9,5 mm

B4



B5





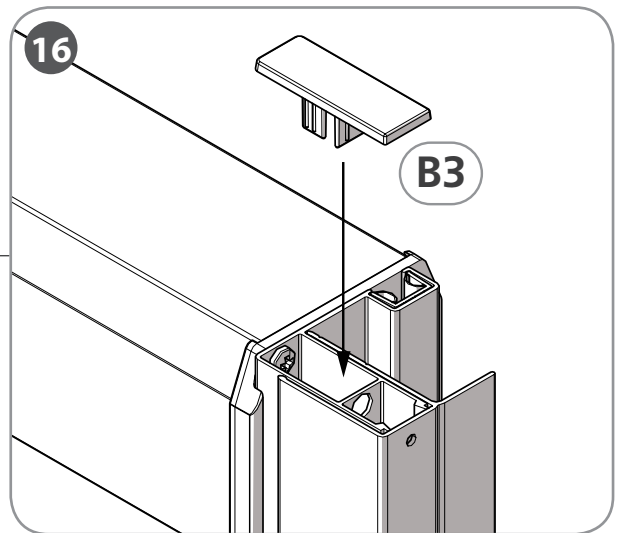
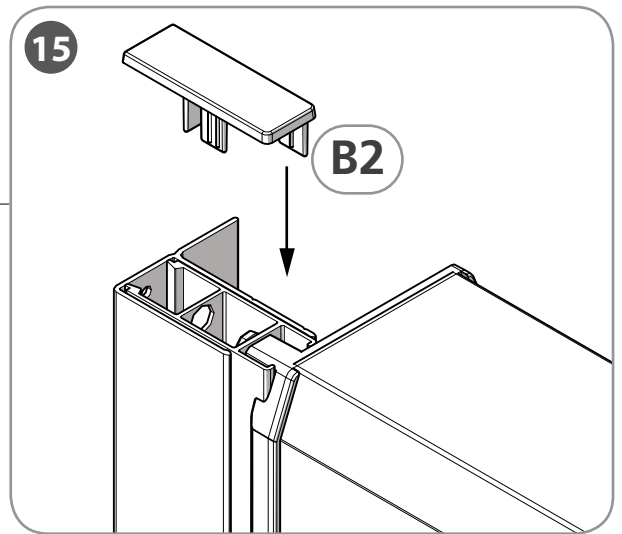
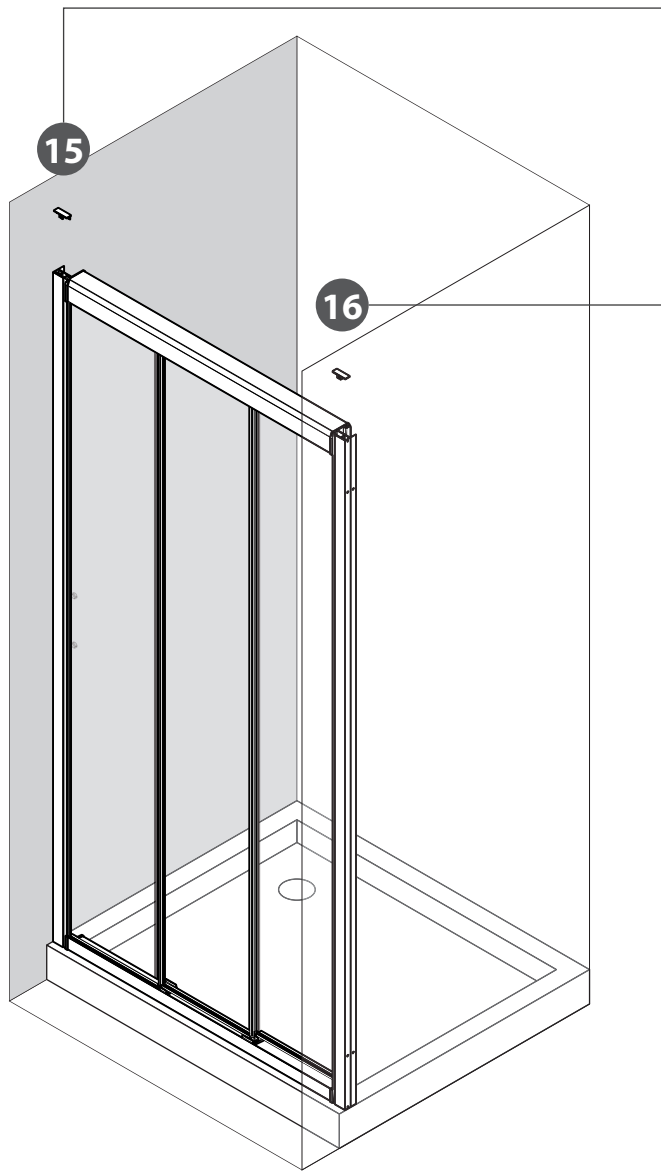
C7



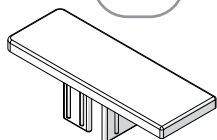
3,5x16 mm

B6

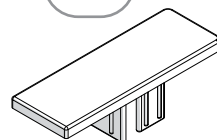


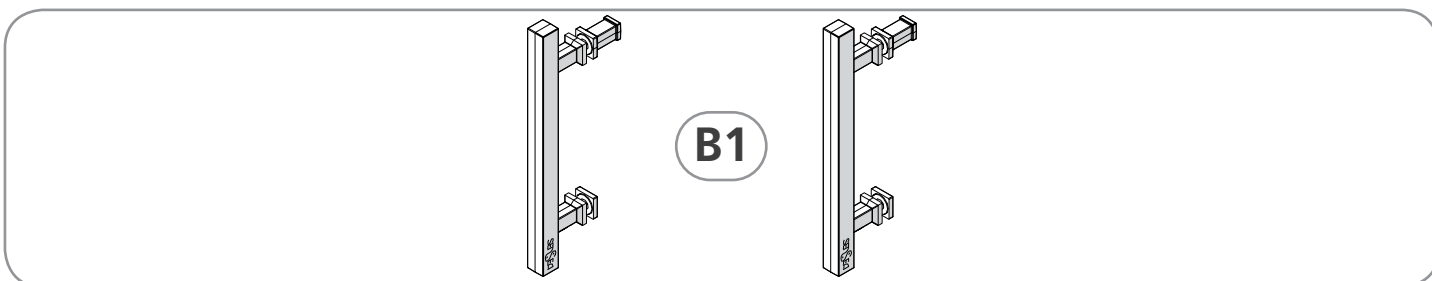
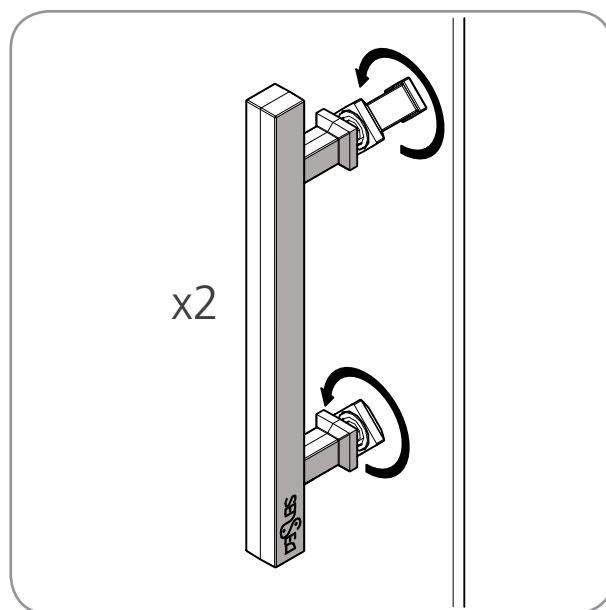
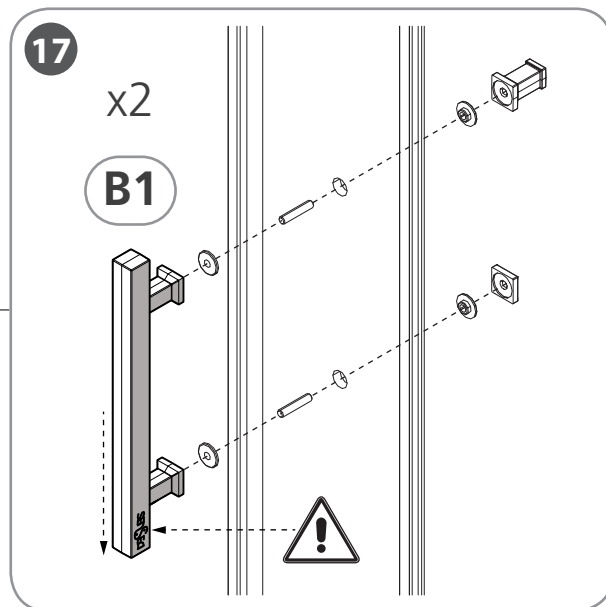
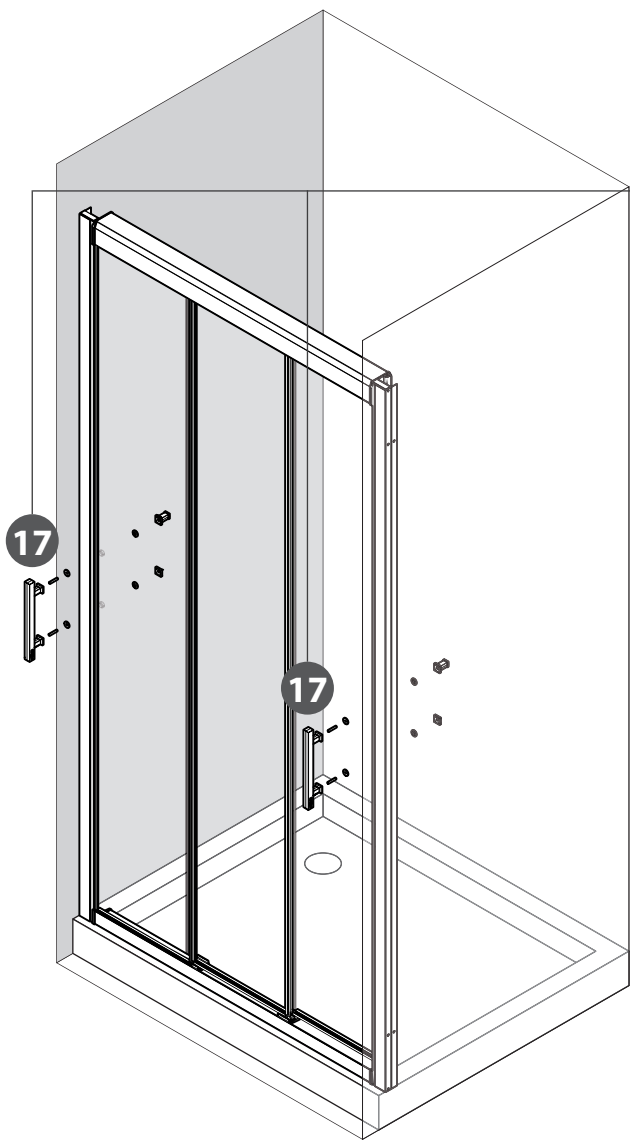


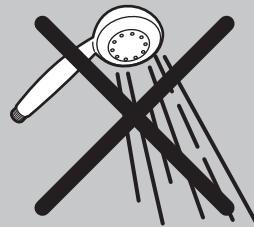
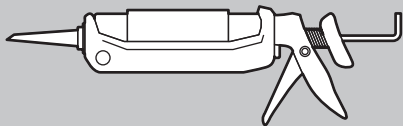
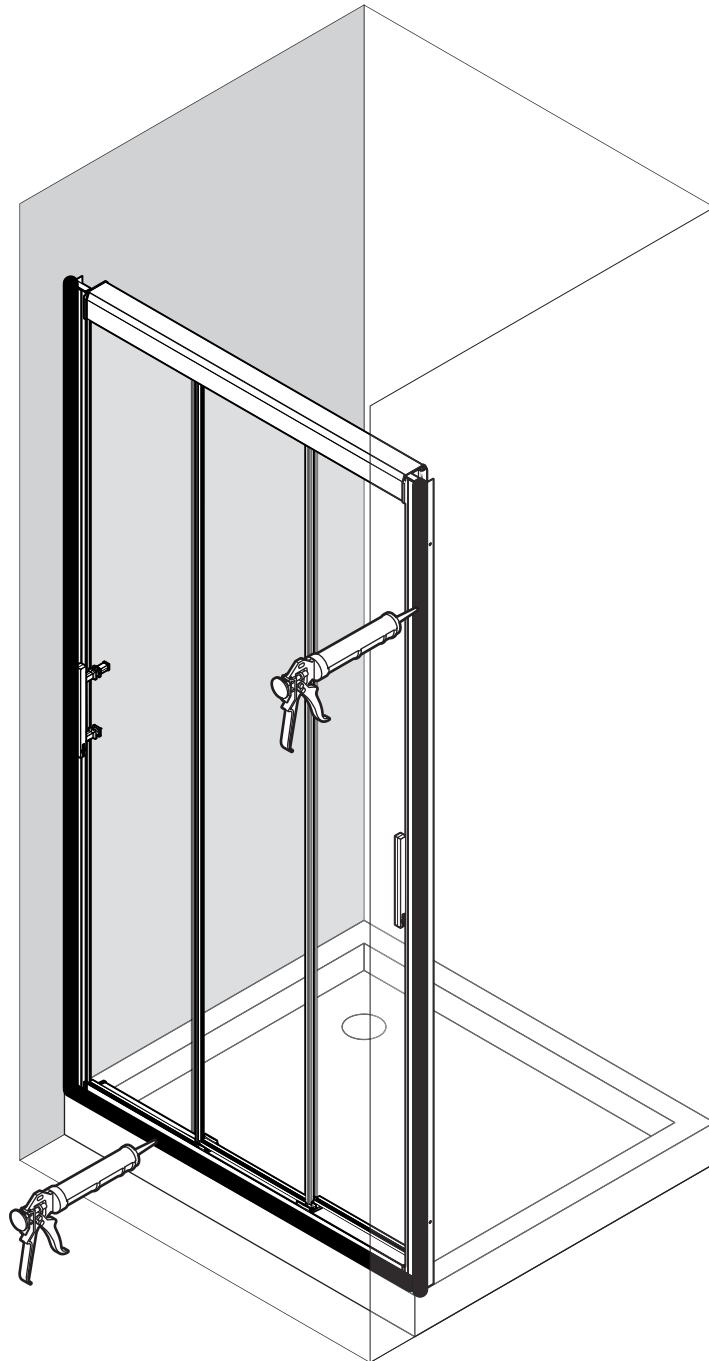
B2



B3

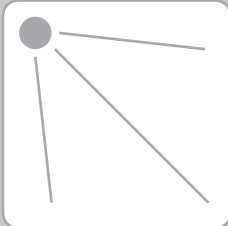






Note:

Lined writing area

<input type="checkbox"/>	ELYTP78	
<input type="checkbox"/>	ELYTP84	
<input type="checkbox"/>	ELYTP90	
<input type="checkbox"/>	ELYTP96	
<input type="checkbox"/>	ELYTP102	
<input type="checkbox"/>	ELYTP108	
<input type="checkbox"/>	ELYTP114	
<input type="checkbox"/>		

