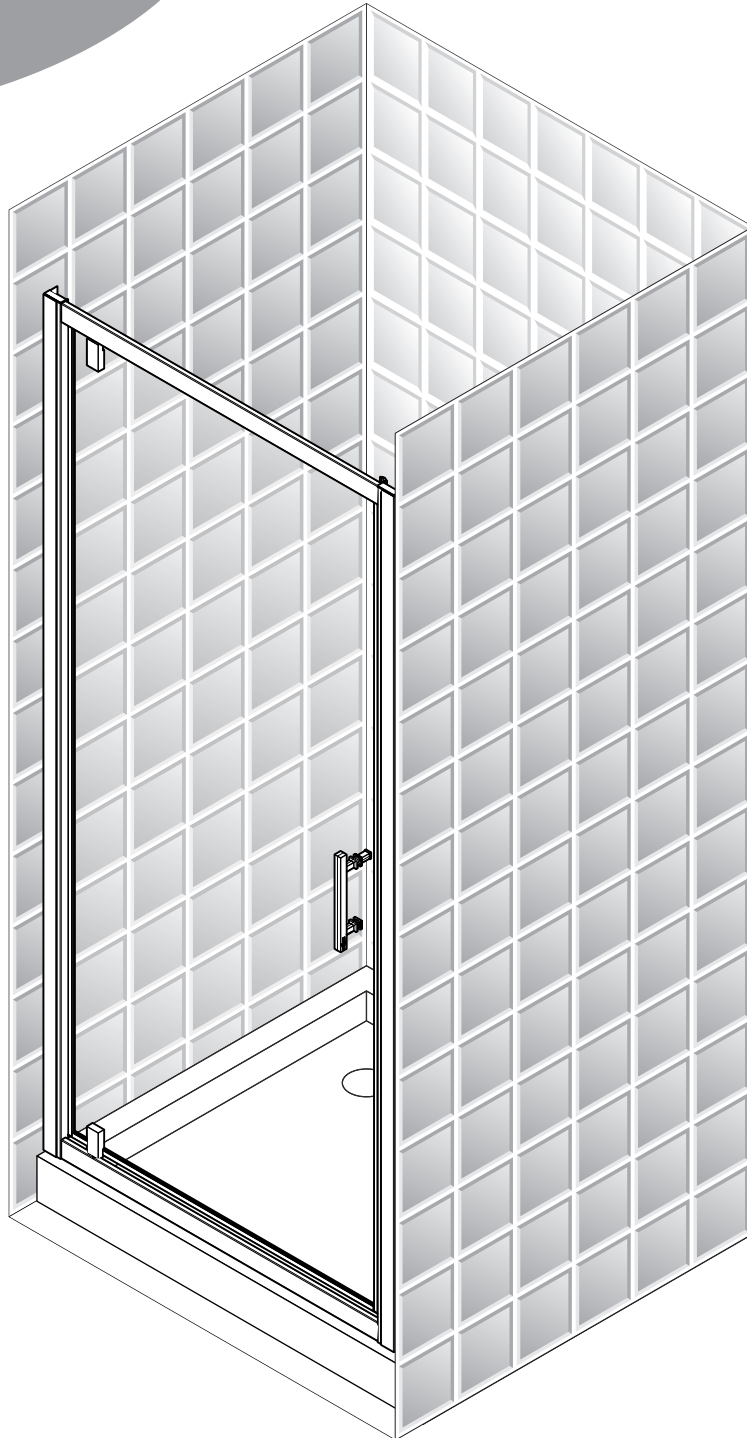
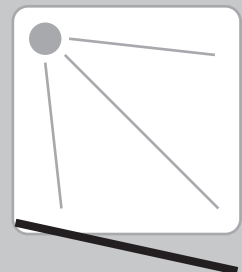


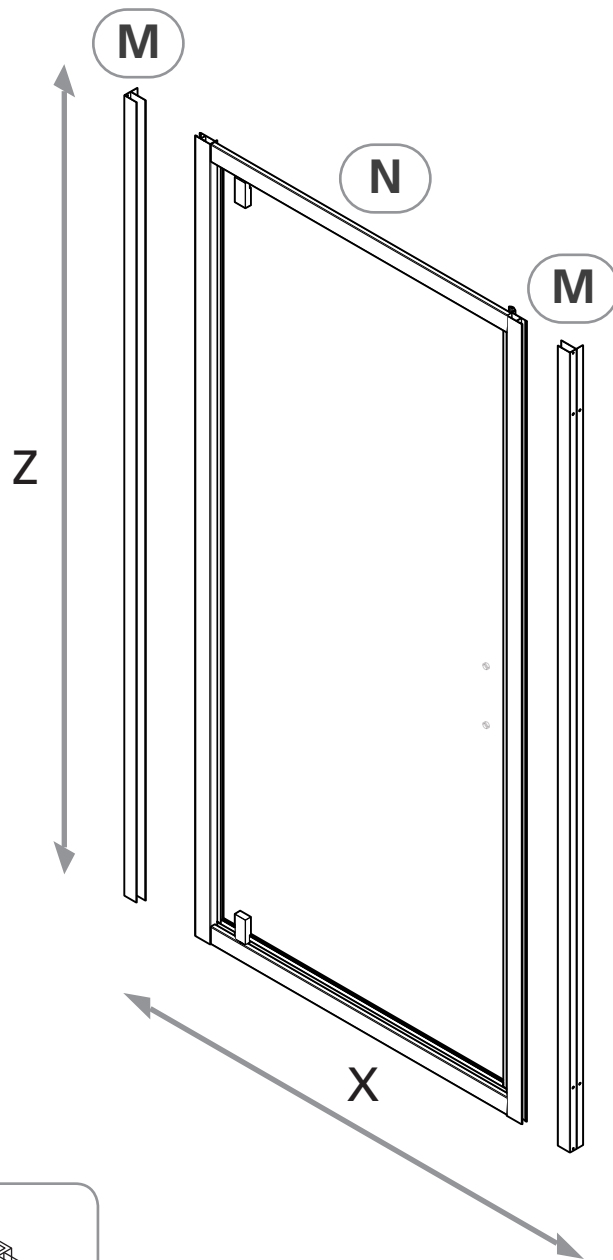


# ELYT - G

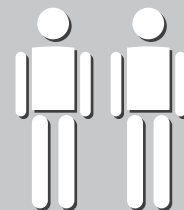
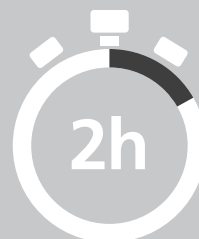


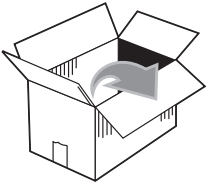
- ELYTG66
- ELYTG72
- ELYTG78
- ELYTG84
- ELYTG90
- ELYTG96



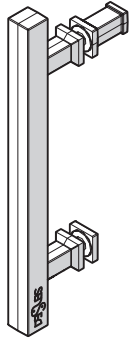


ELYTG66	X=66-72 cm	Z=190 cm
ELYTG72	X=72-78 cm	Z=190 cm
ELYTG78	X=78-84 cm	Z=190 cm
ELYTG84	X=84-90 cm	Z=190 cm
ELYTG90	X=90-96 cm	Z=190 cm
ELYTG96	X=96-102 cm	Z=190 cm

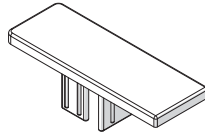




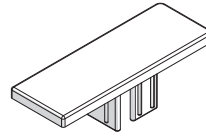
**B1**



**B2**

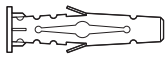


**B3**



**C1**

x4



**C2**

x4



4X35 mm

**C5**

x4



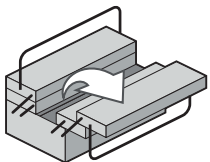
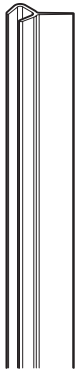
3,5x9,5 mm

**C6**

x6



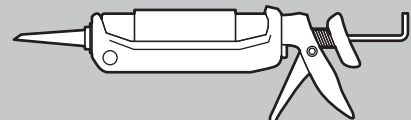
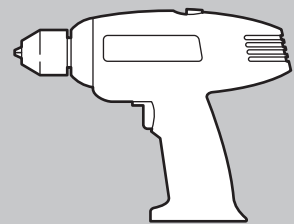
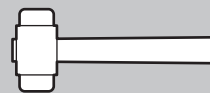
**D1**



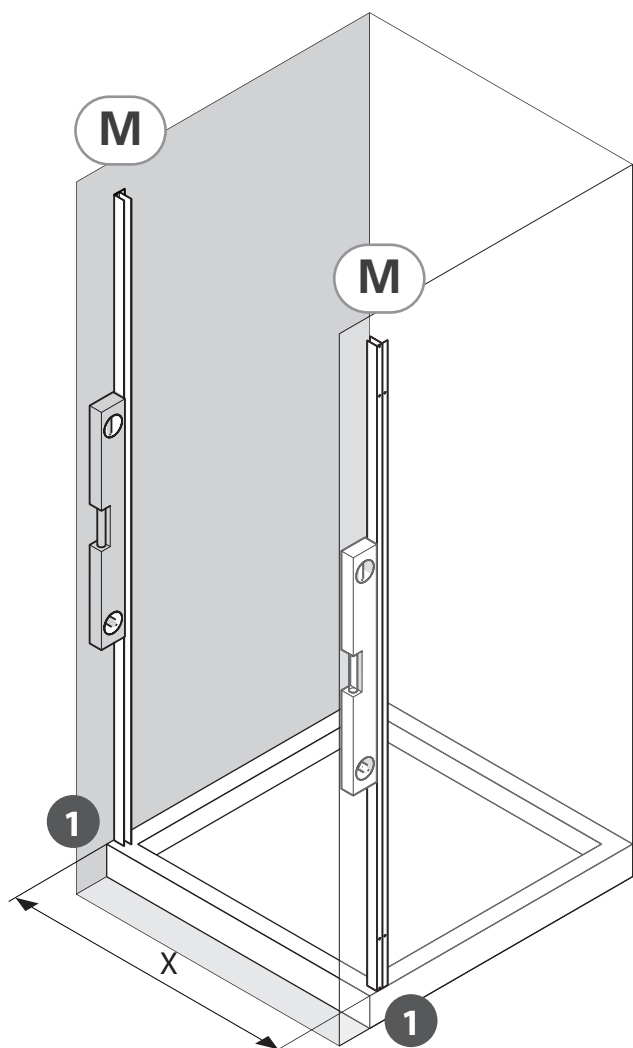
ø6 mm



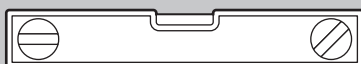
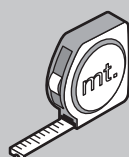
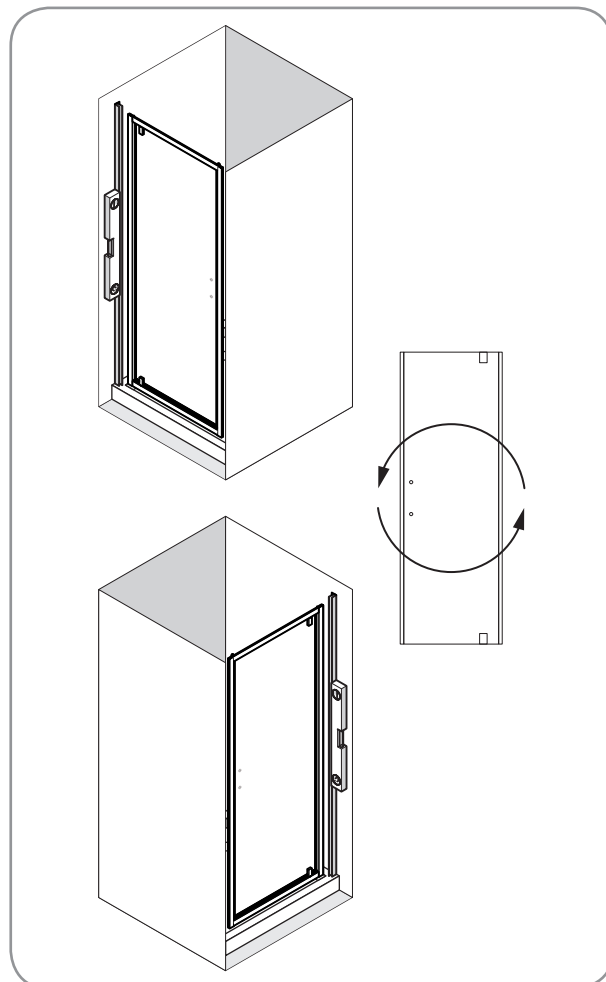
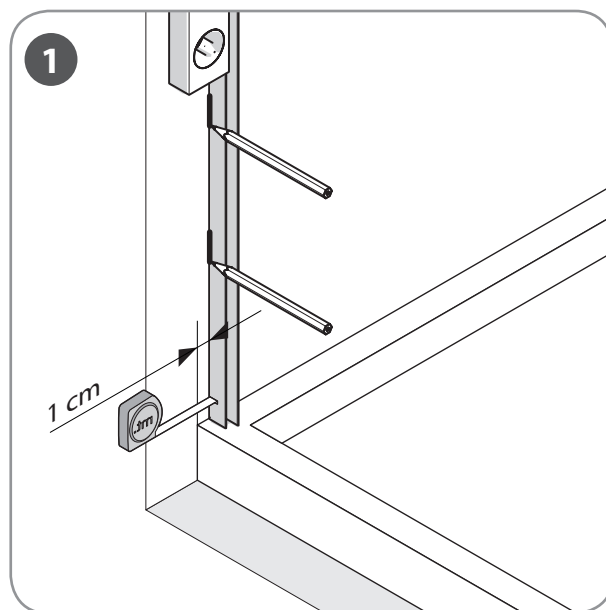
ø3 mm



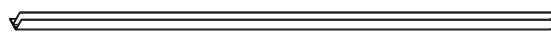
# 1



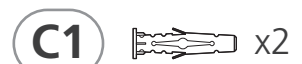
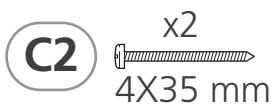
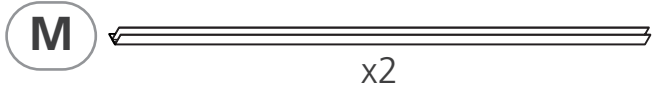
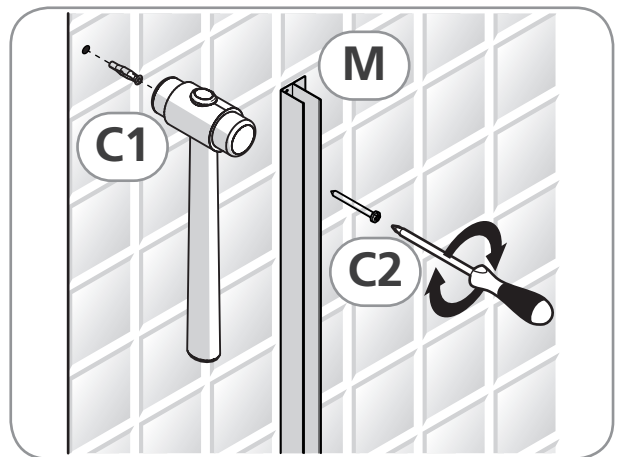
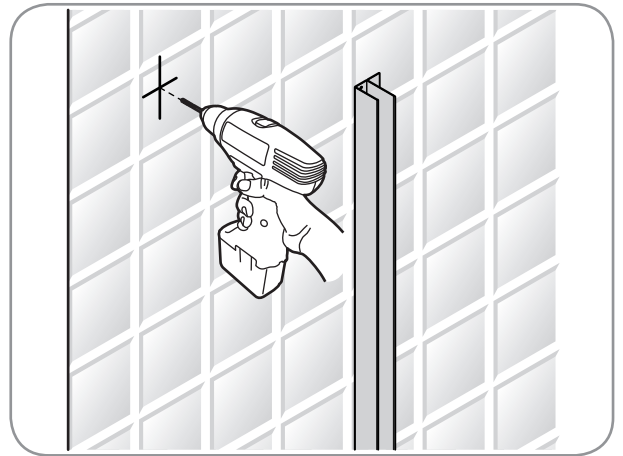
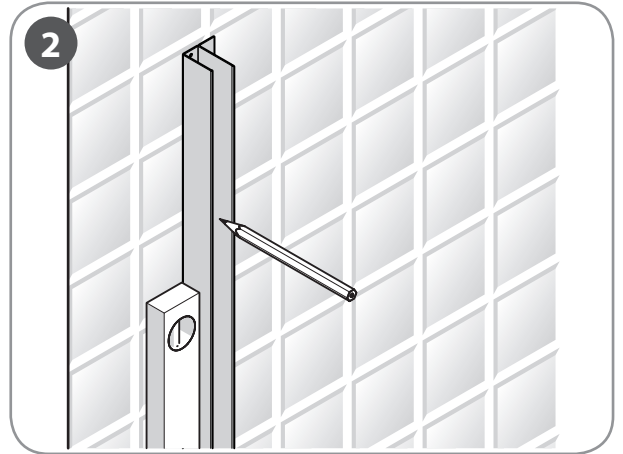
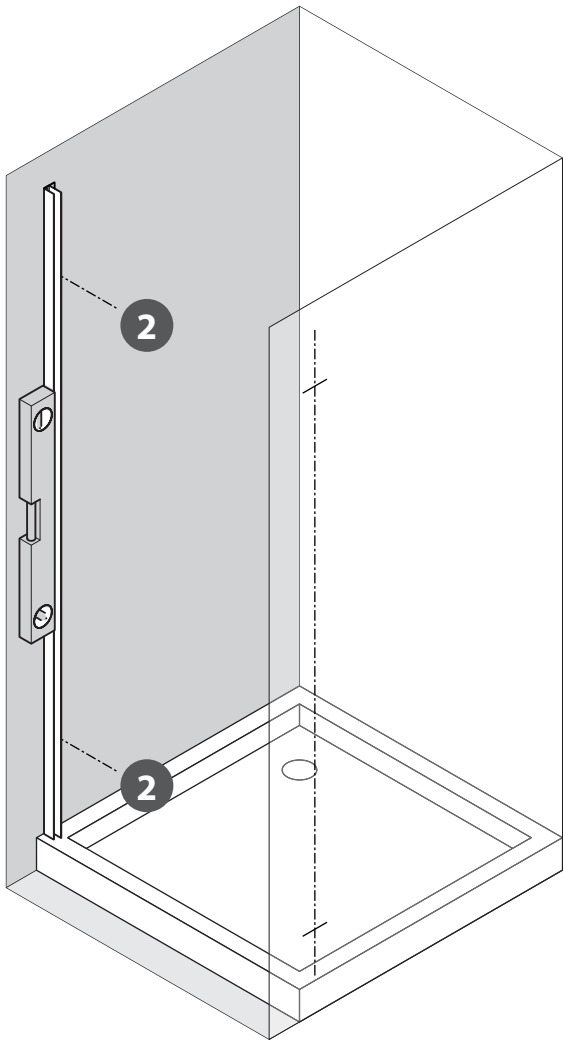
ELYTG66	X=66-72 cm
ELYTG72	X=72-78 cm
ELYTG78	X=78-84 cm
ELYTG84	X=84-90 cm
ELYTG90	X=90-96 cm
ELYTG96	X=96-102 cm



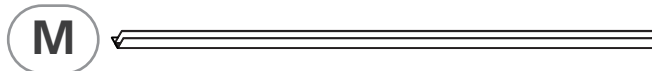
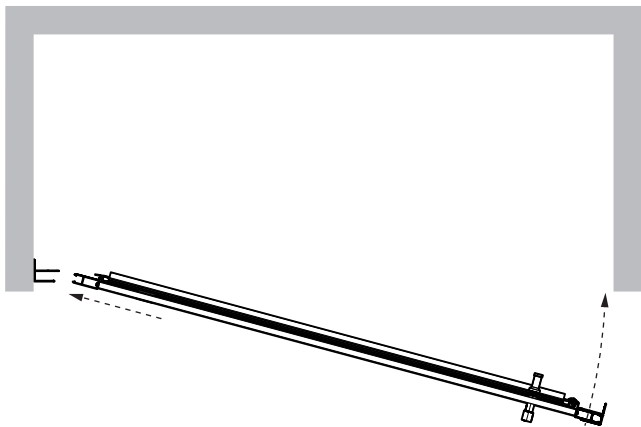
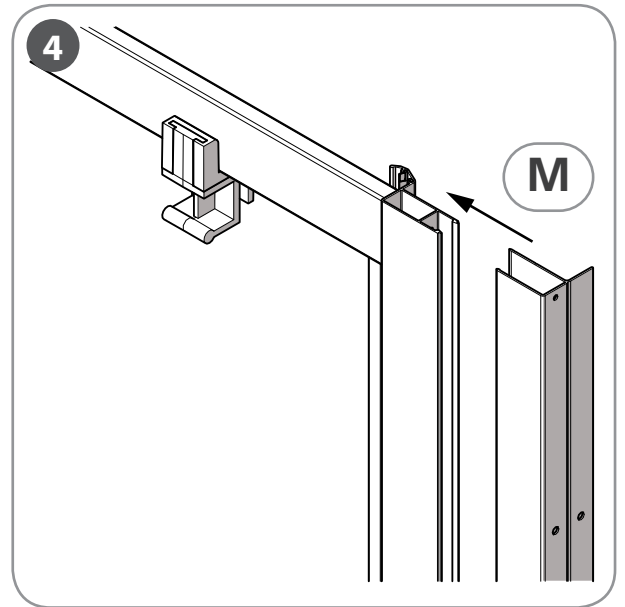
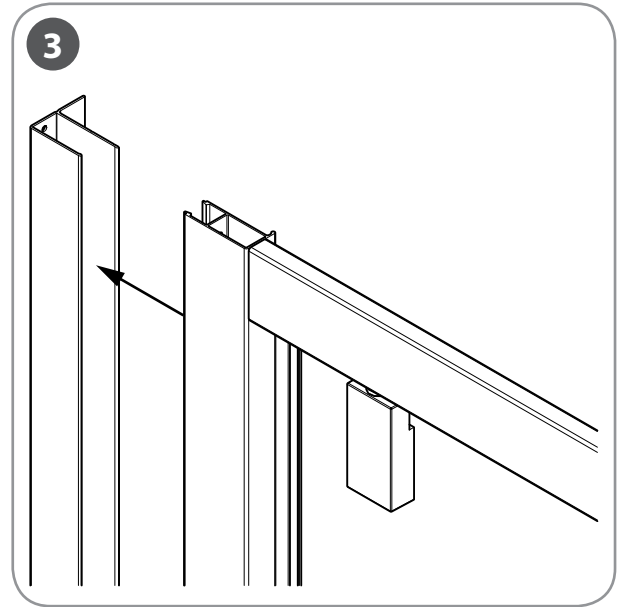
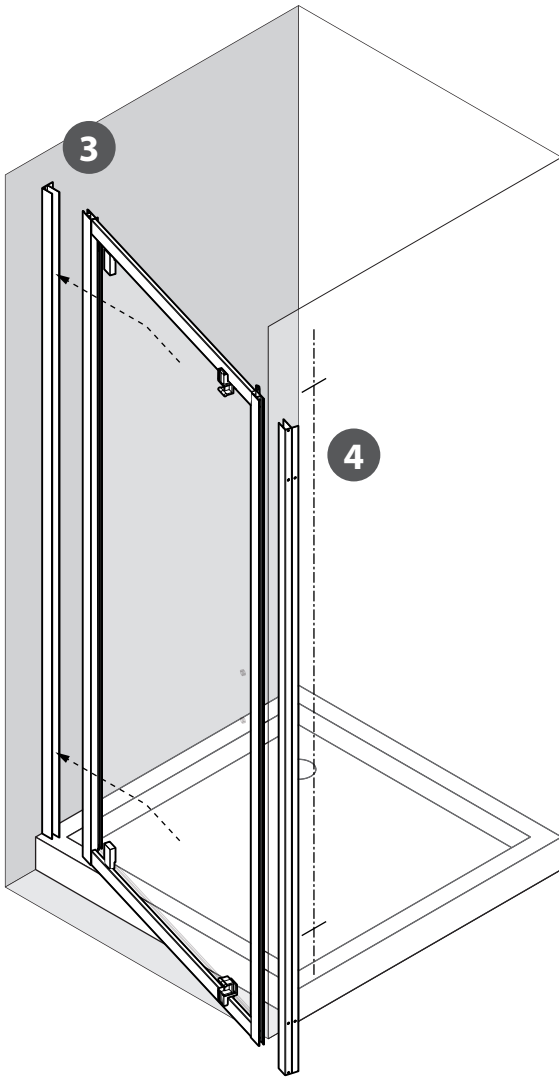
M

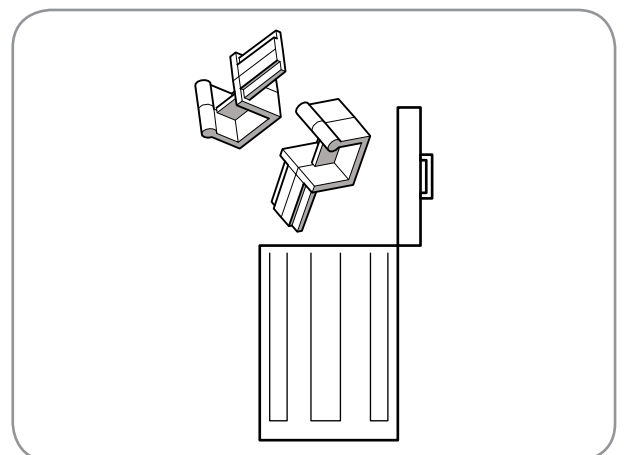
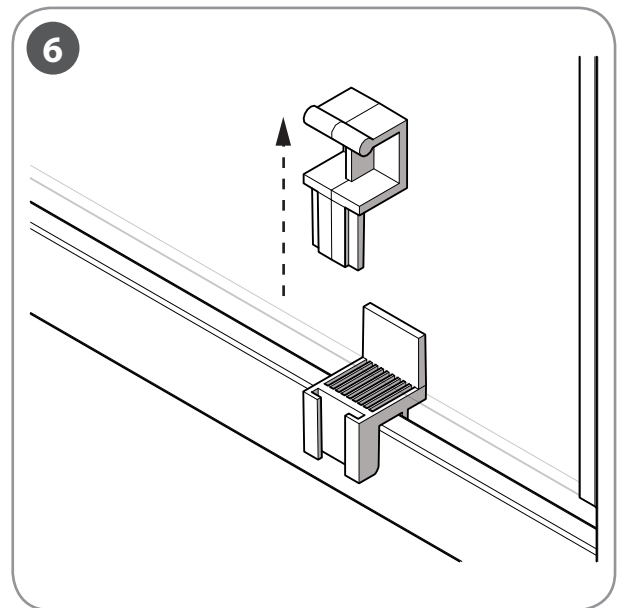
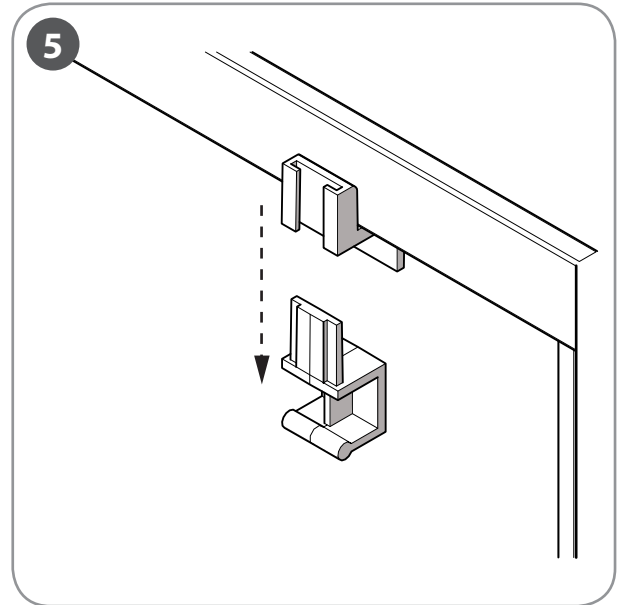
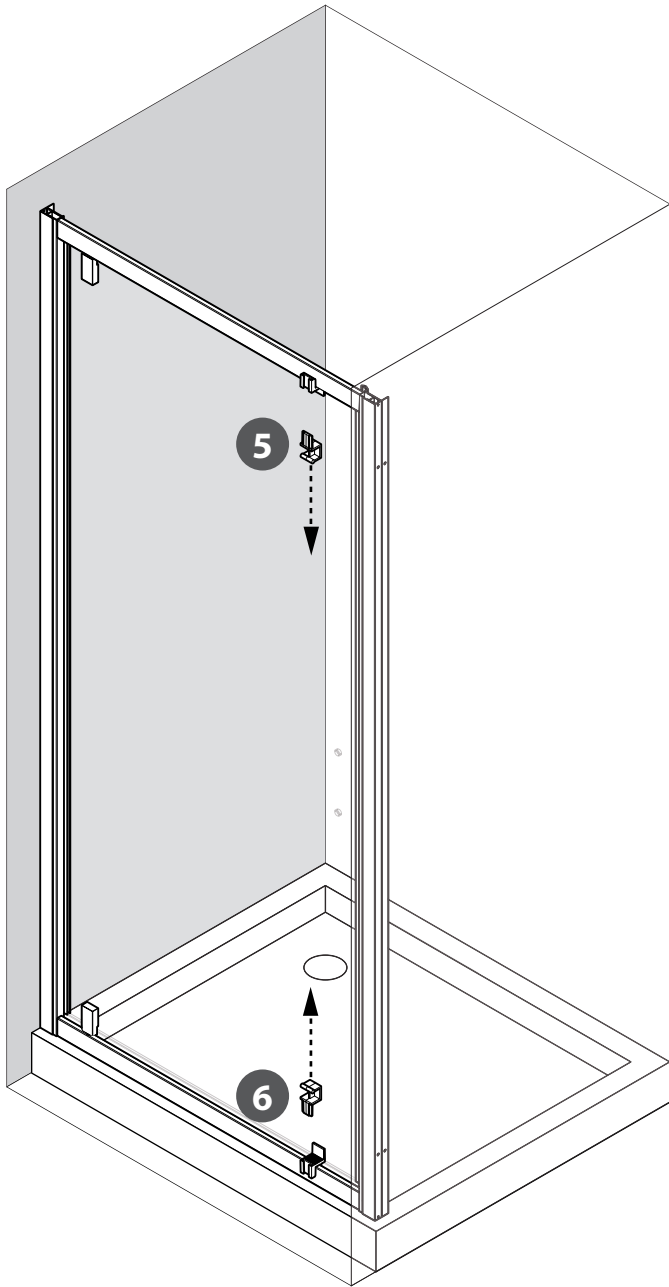


x2

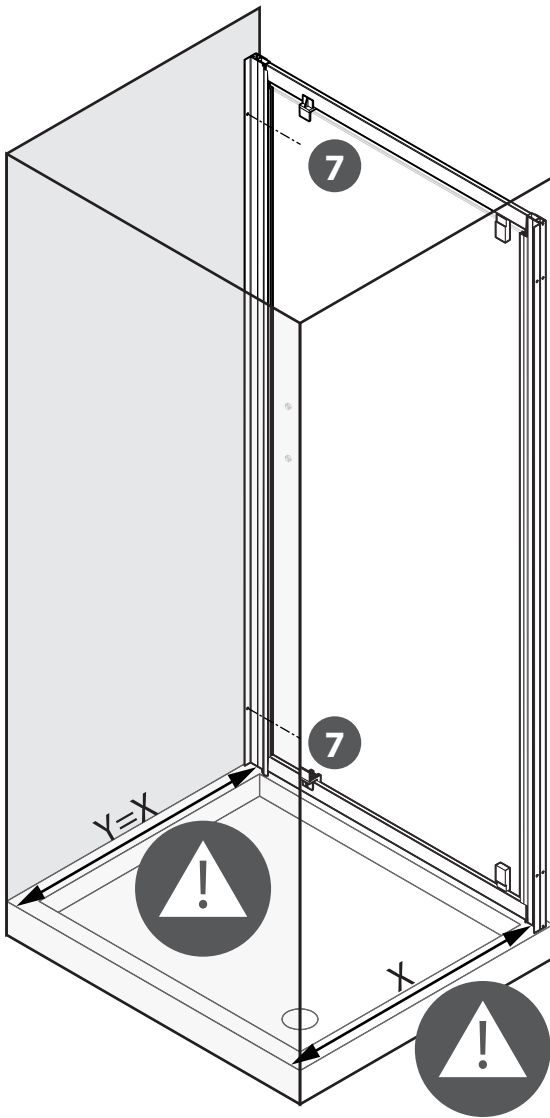
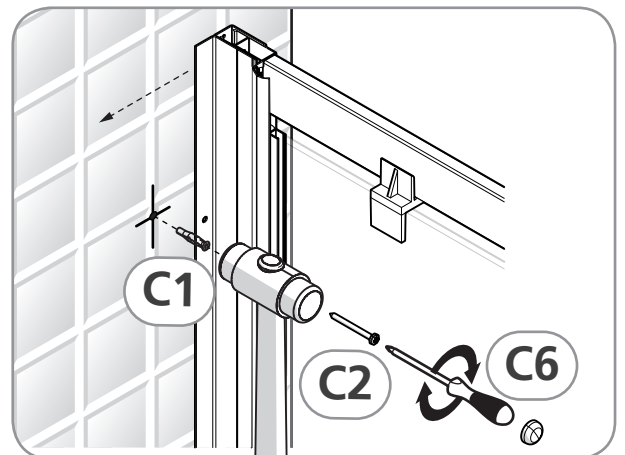
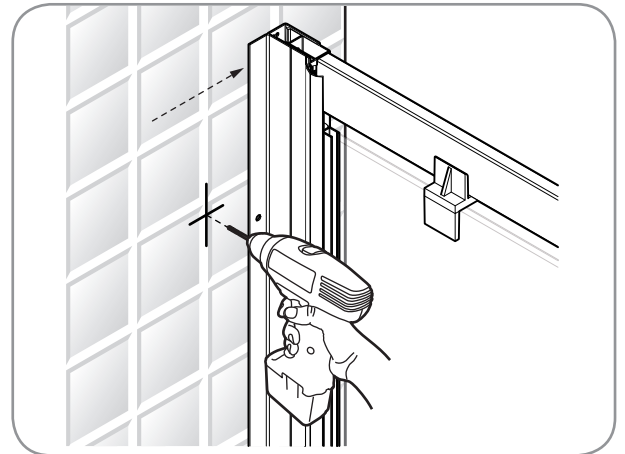
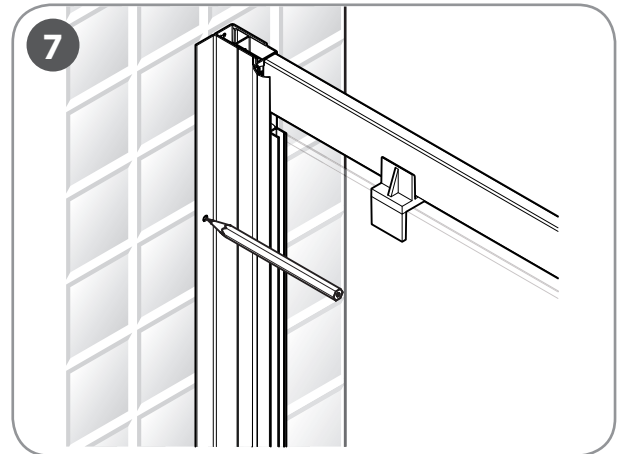
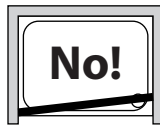


3





# 5

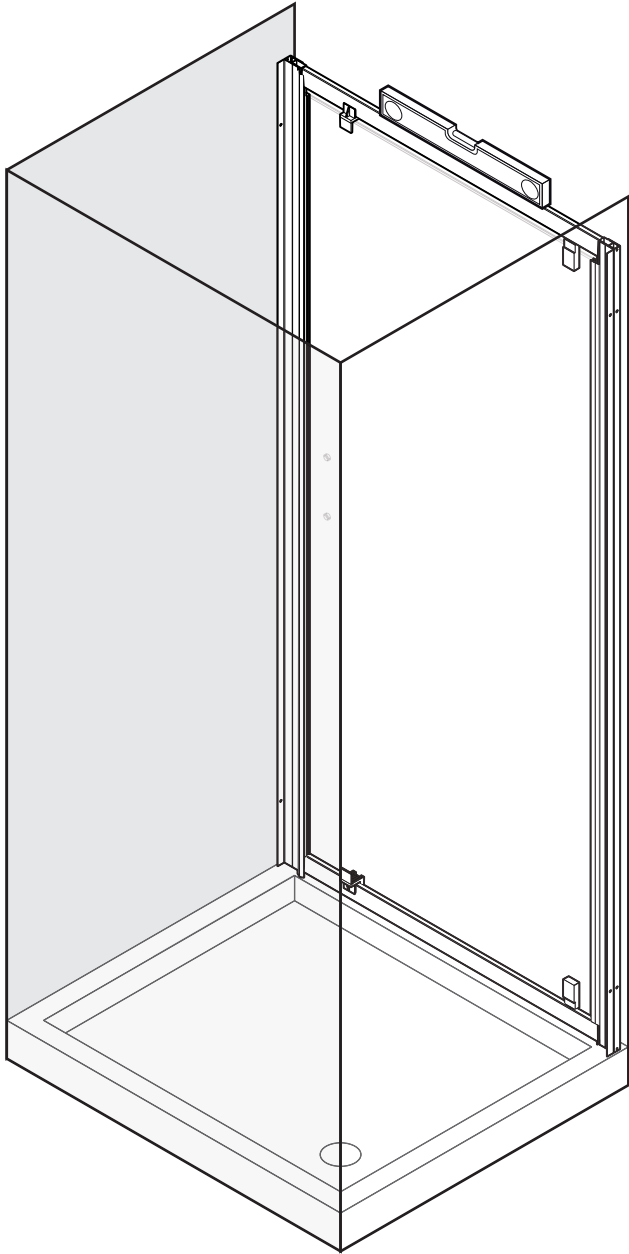
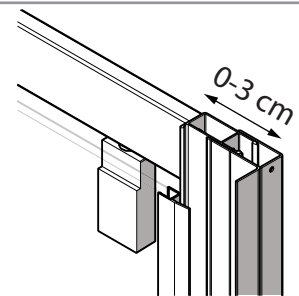
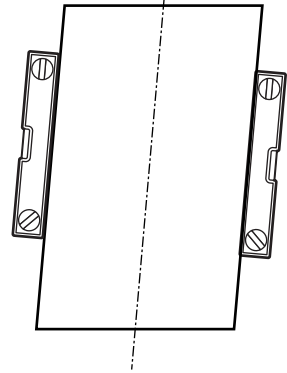
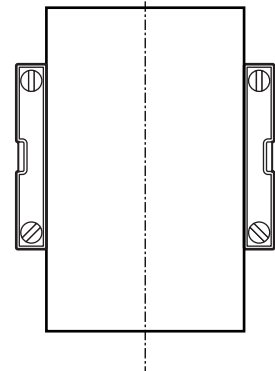


**C2** x2  
4X35 mm

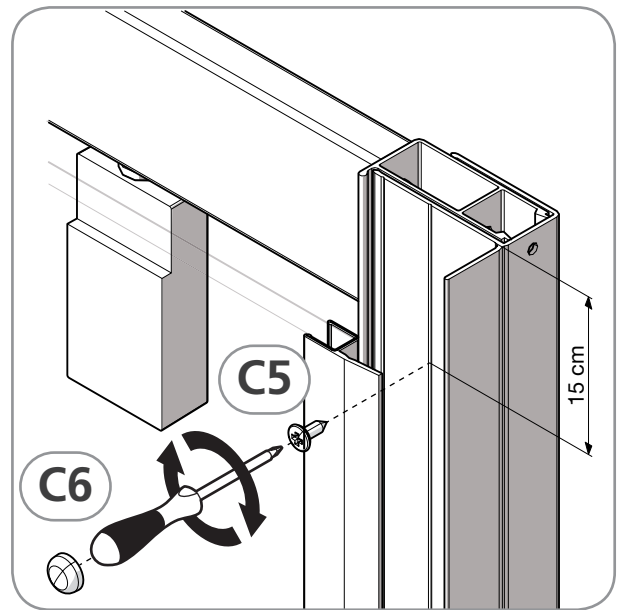
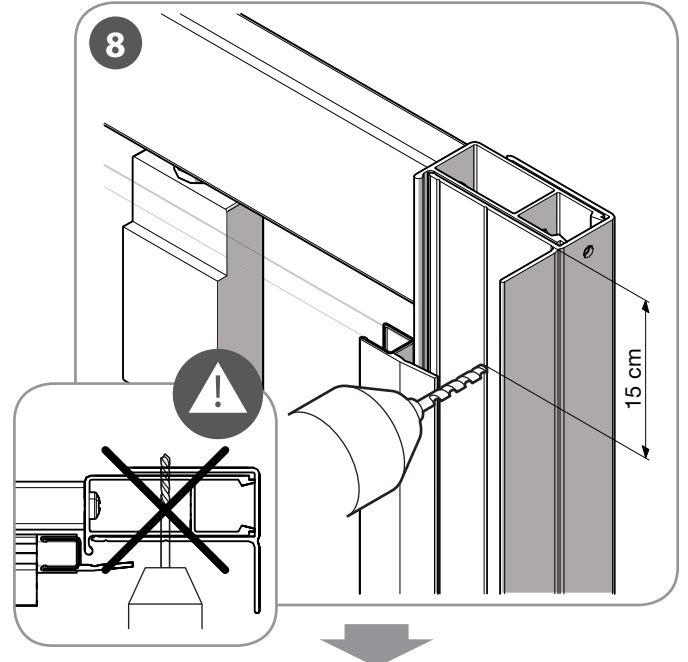
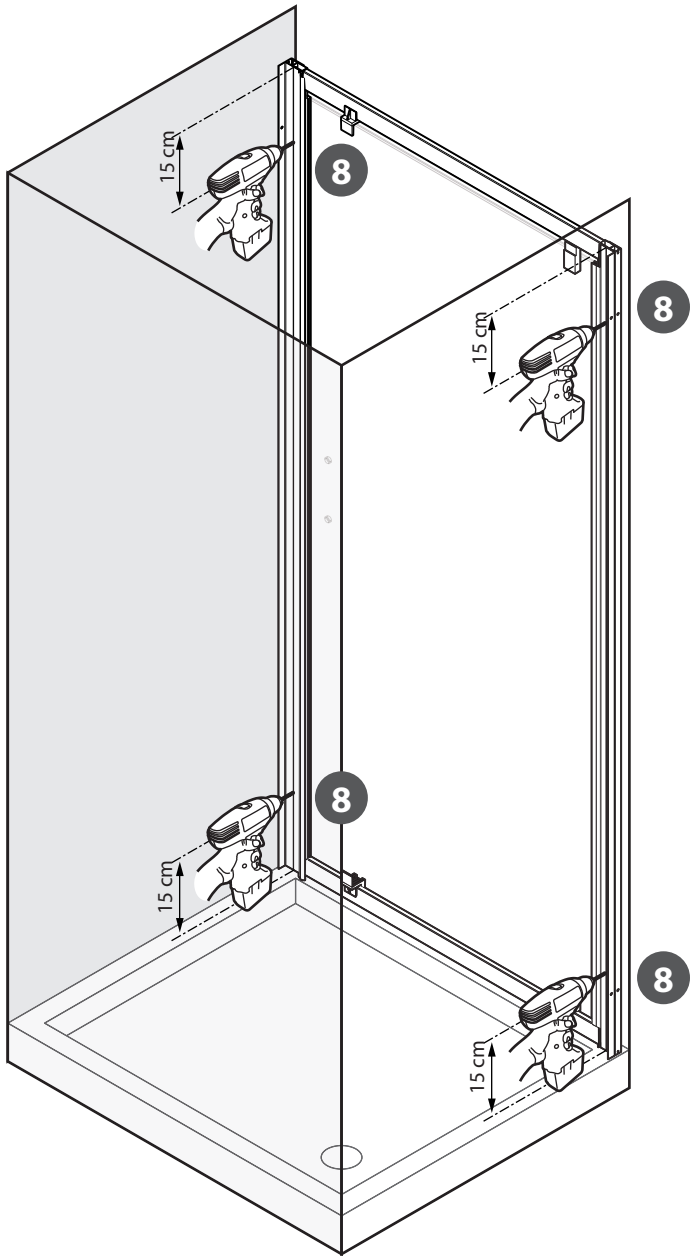
**C1** x2

**C6** x2

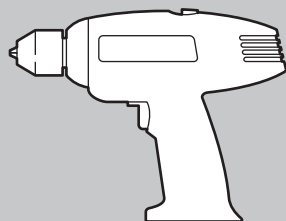


**No!****OK**

7



+



Ø3 mm

C5

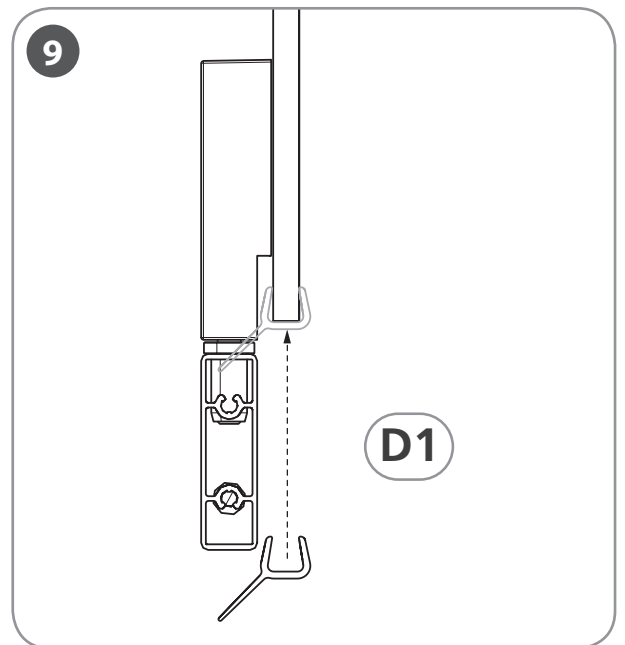
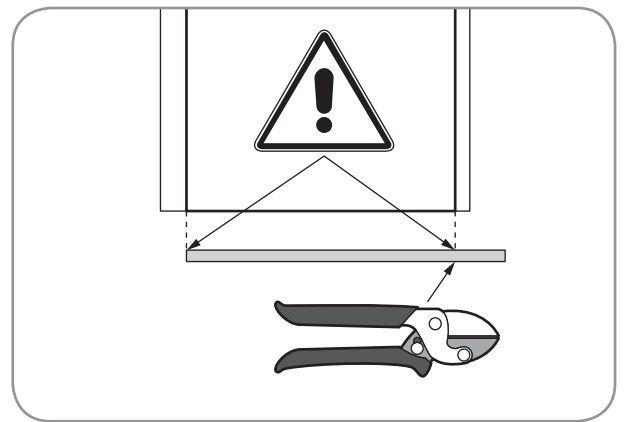
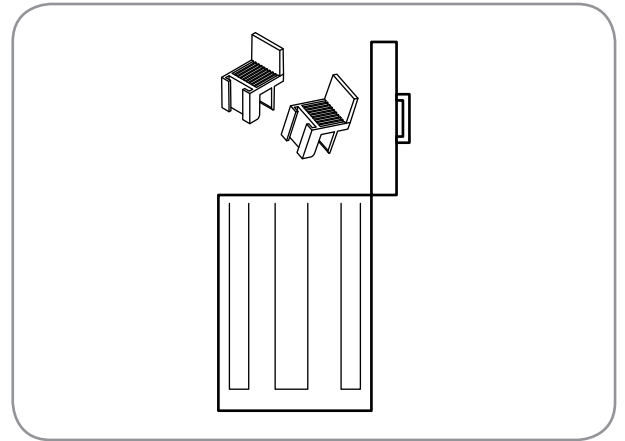
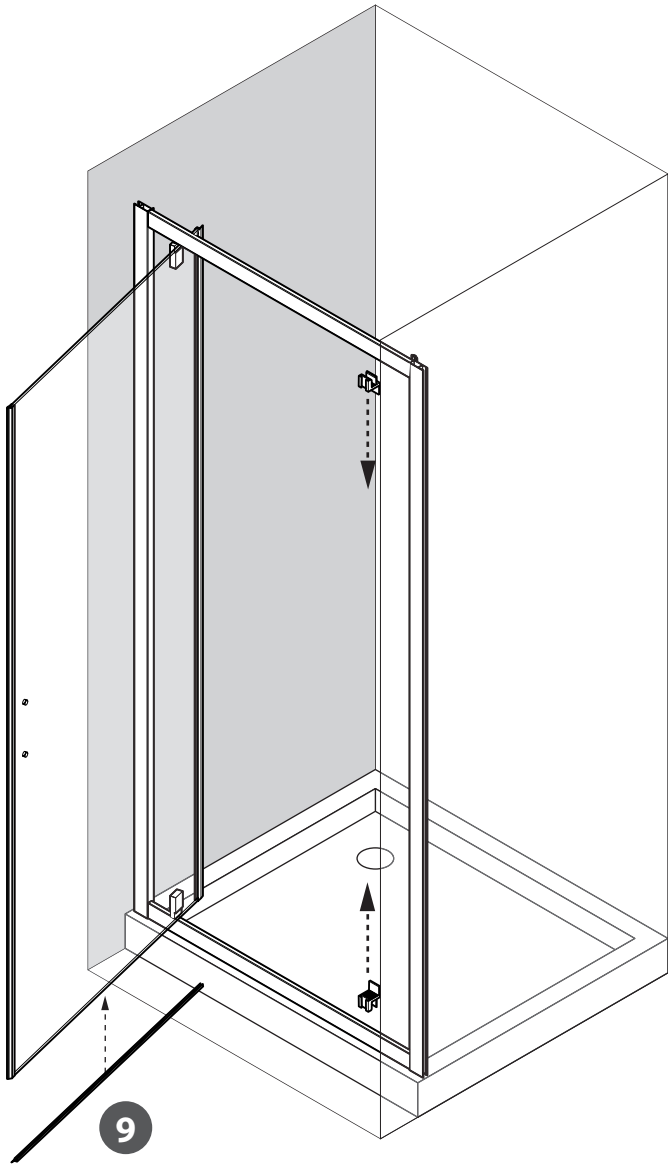


3,5x9,5 mm  
x4

C6

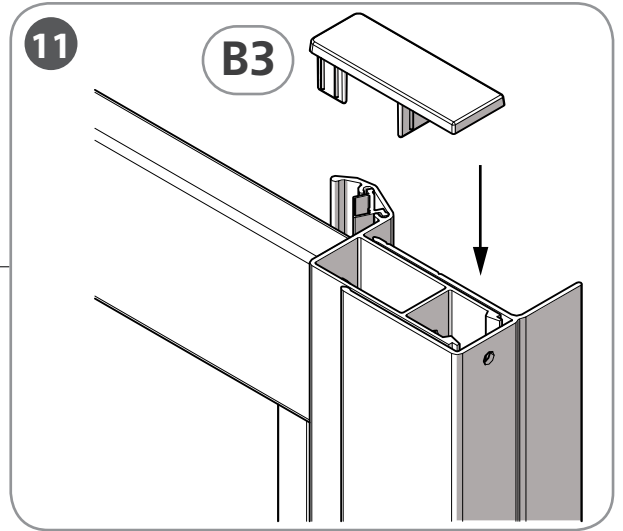
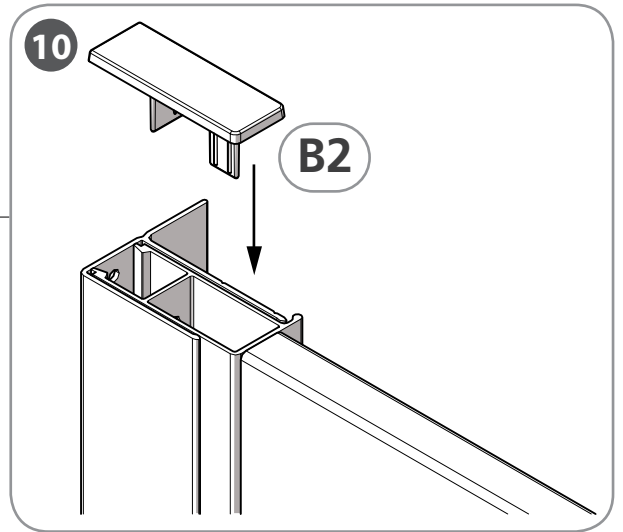
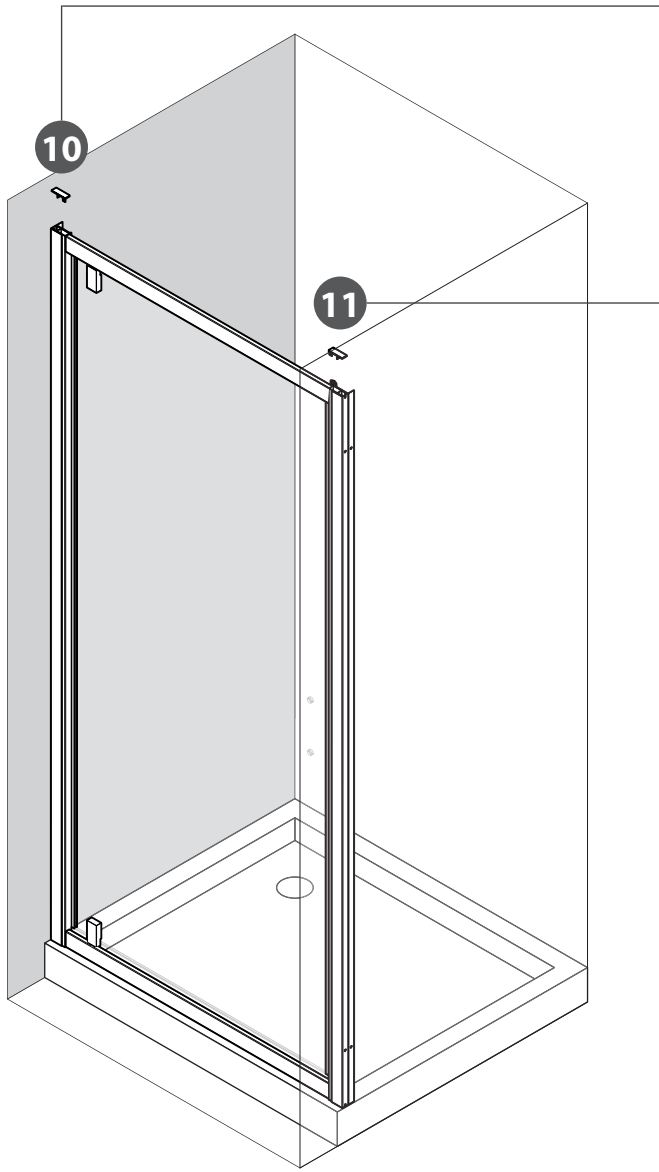


x4

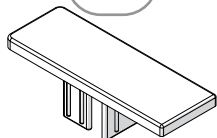


D1

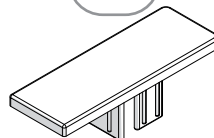


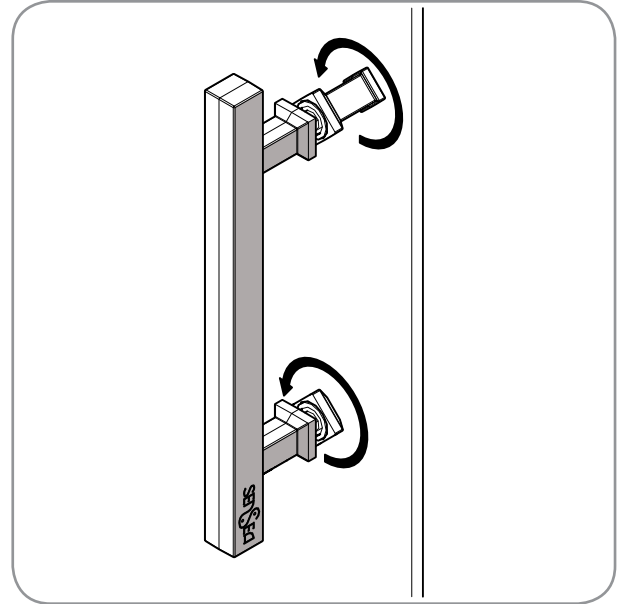
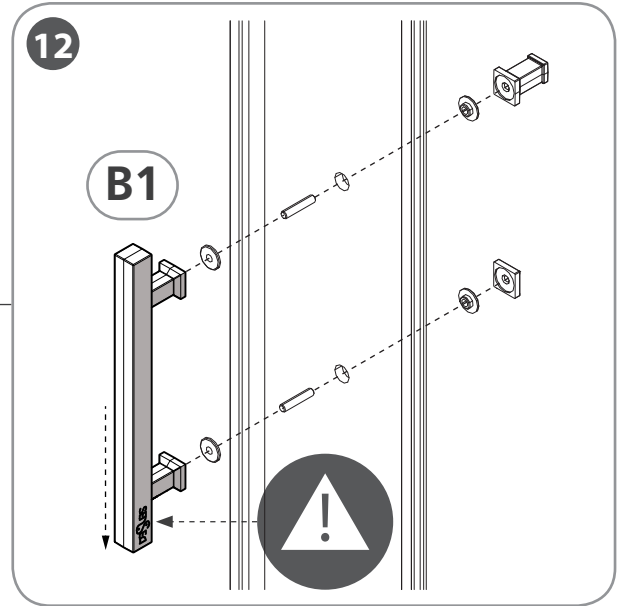
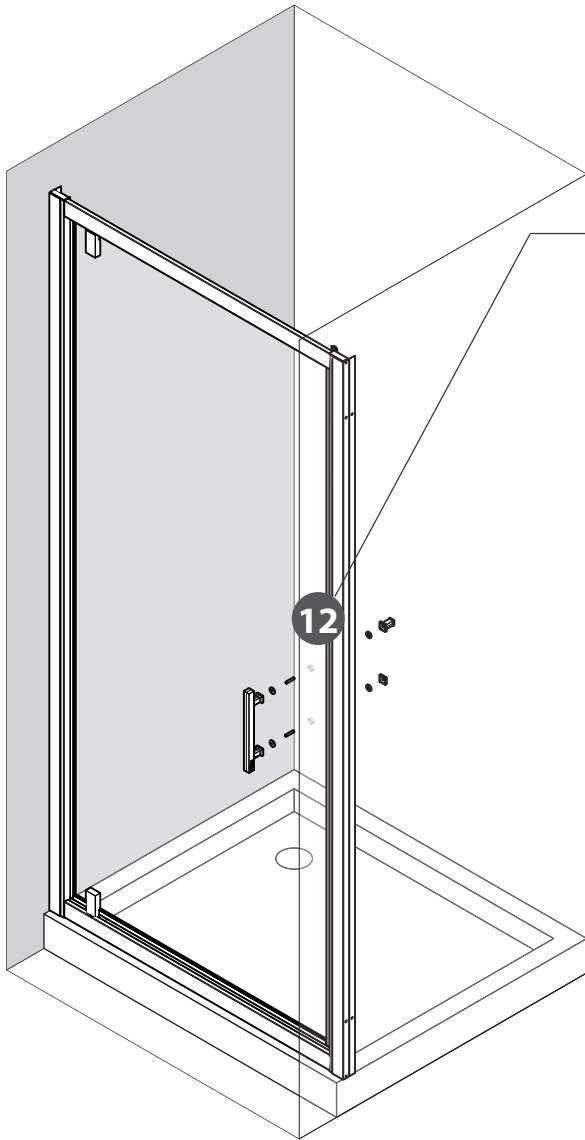


B2



B3





B1

