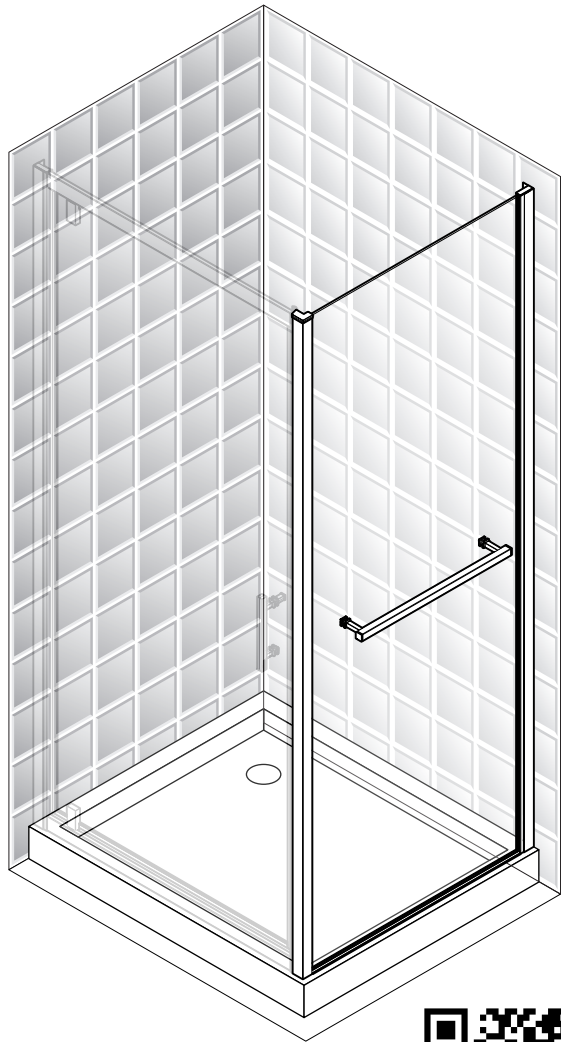
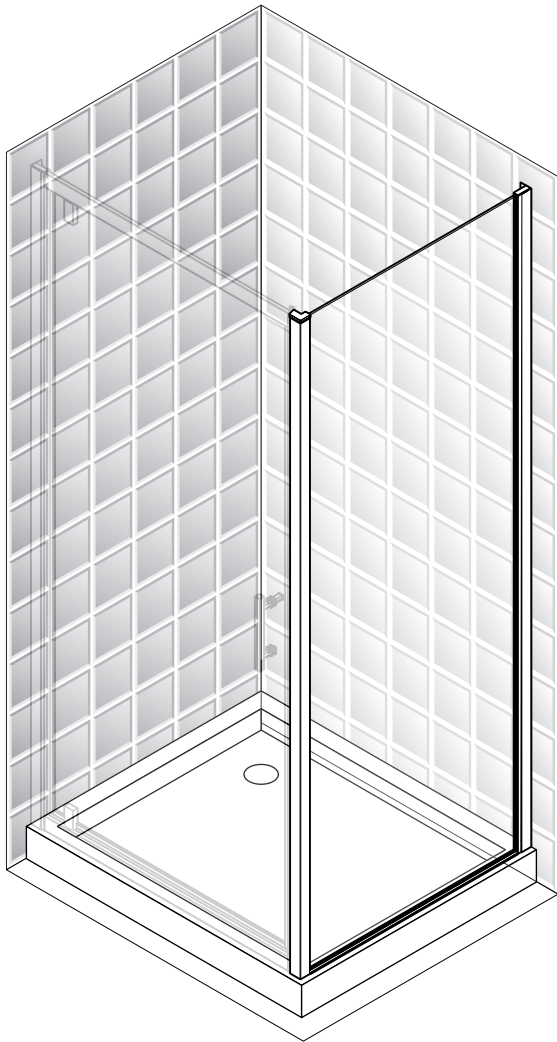




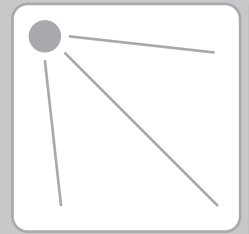
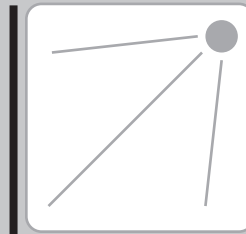
ELYT - F

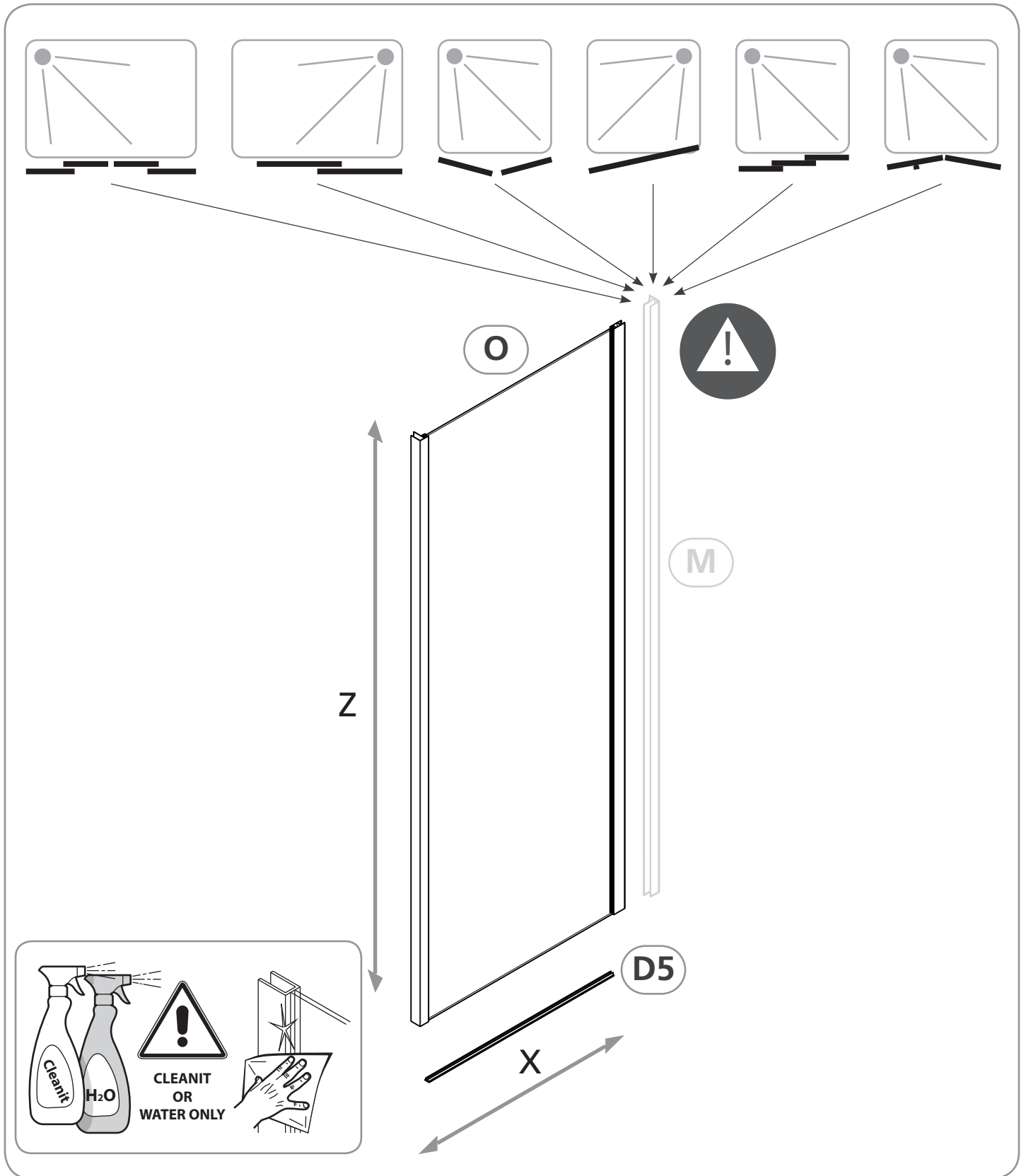


ELYTF66
ELYTF68
ELYTF69
ELYTF72
ELYTF75



ELYTF78
ELYTF81
ELYTF84
ELYTF87
ELYTF88

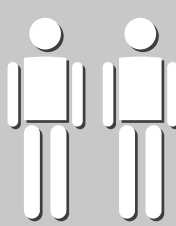


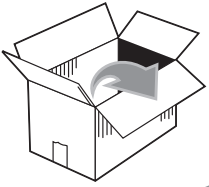


ELYTF66	X=66-69 cm	Z=190 cm
ELYTF68	X=68-71 cm	Z=190 cm
ELYTF69	X=69-72 cm	Z=190 cm
ELYTF72	X=72-75 cm	Z=190 cm
ELYTF75	X=75-78 cm	Z=190 cm
ELYTF78	X=78-81 cm	Z=190 cm
ELYTF81	X=81-84 cm	Z=190 cm
ELYTF84	X=84-87 cm	Z=190 cm
ELYTF87	X=87-90 cm	Z=190 cm
ELYTF88	X=88-91 cm	Z=190 cm

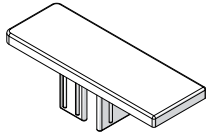


2h

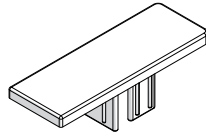




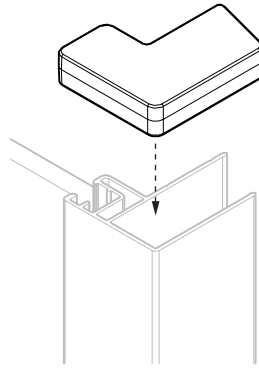
B2



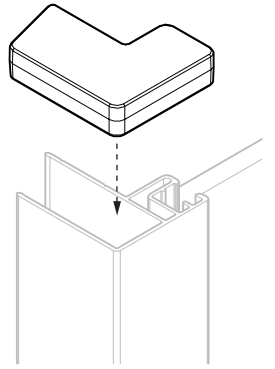
B3



B4



B5



C5



3,5x9,5 mm

x2

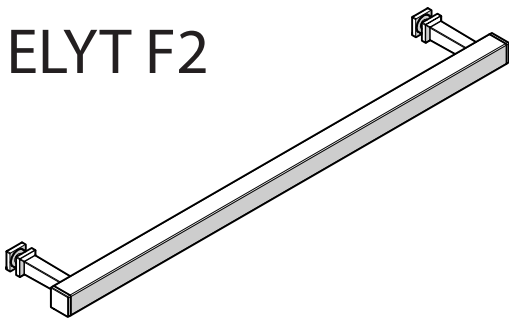
C6



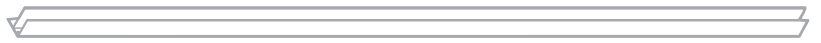
x4

B1

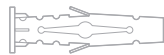
ELYT F2



M



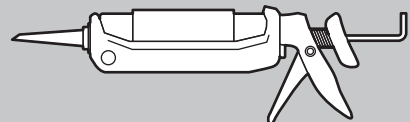
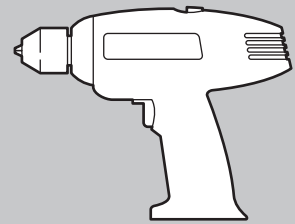
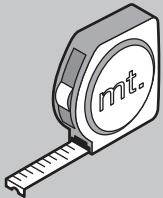
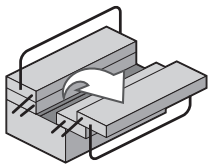
C1 x2



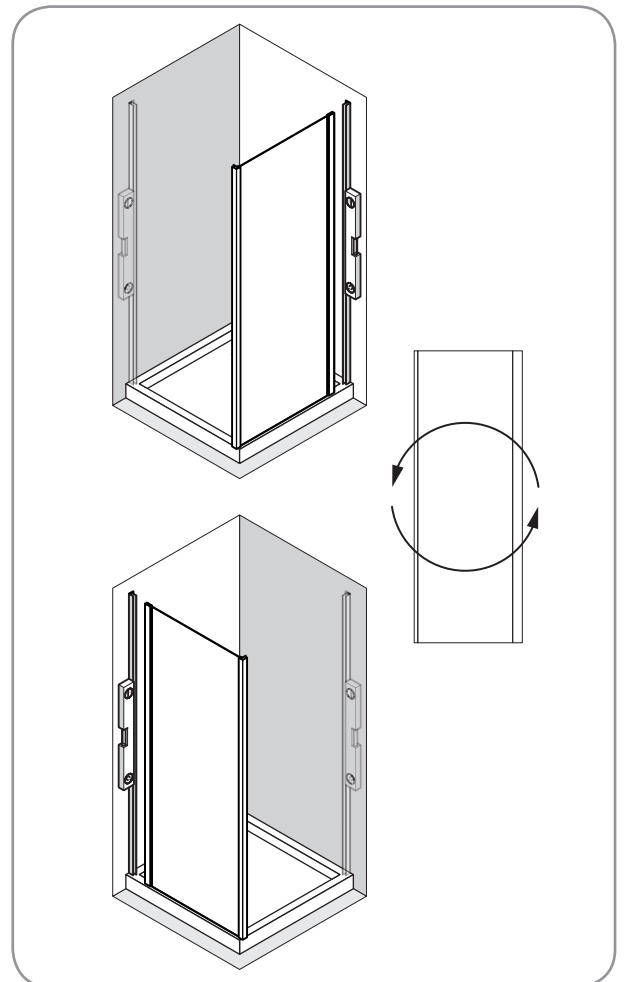
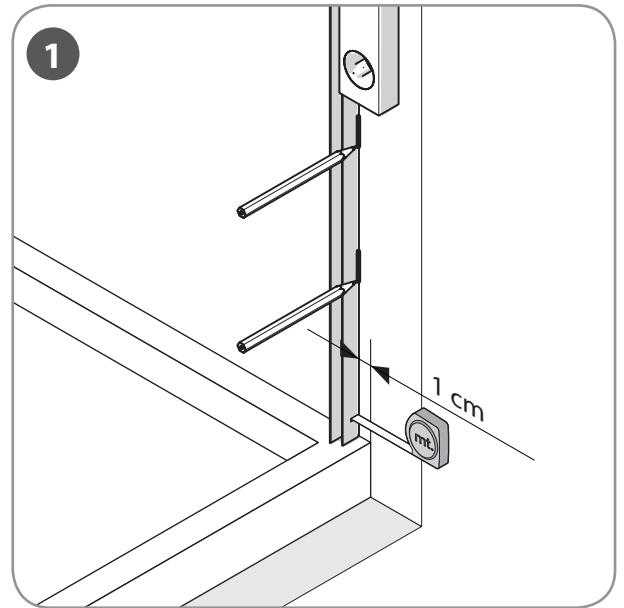
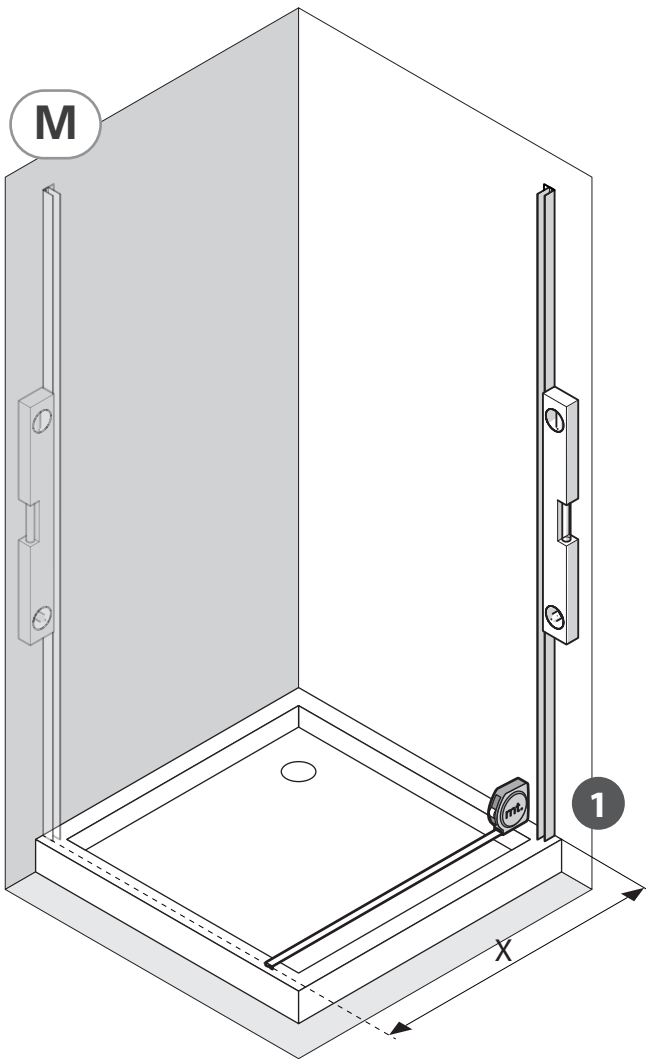
C2 x2



4X35 mm



1



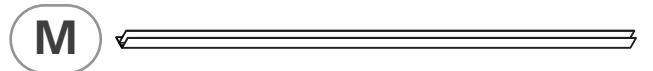
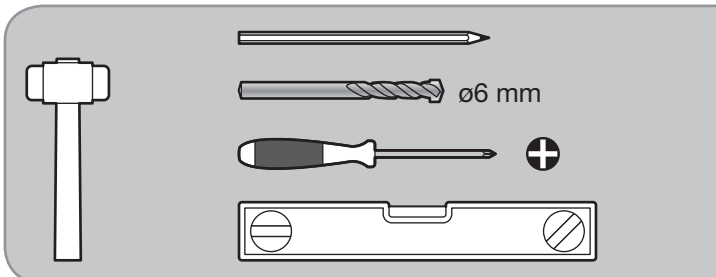
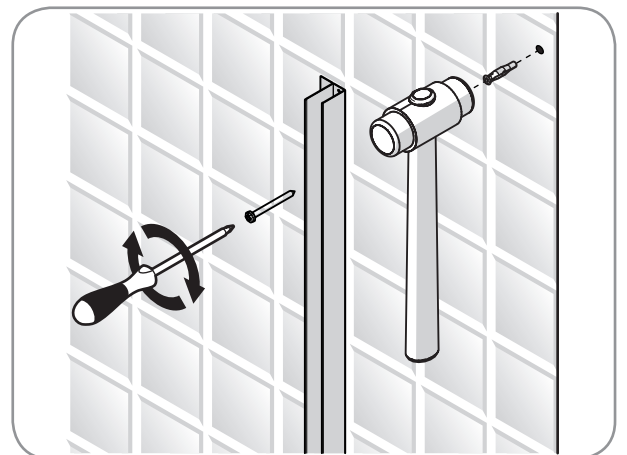
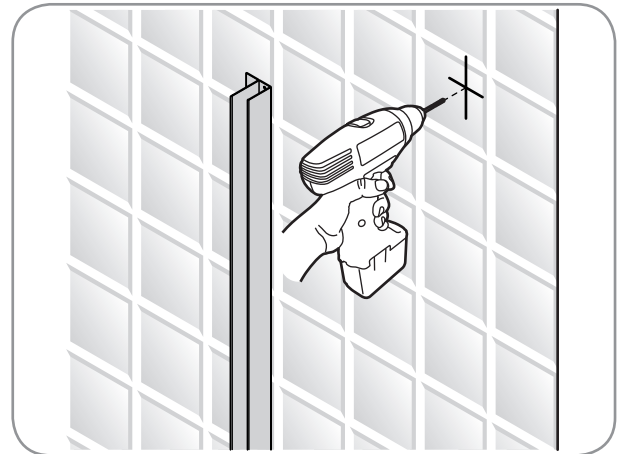
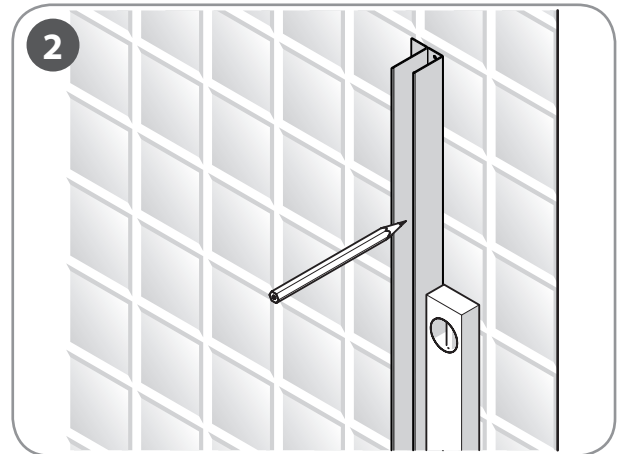
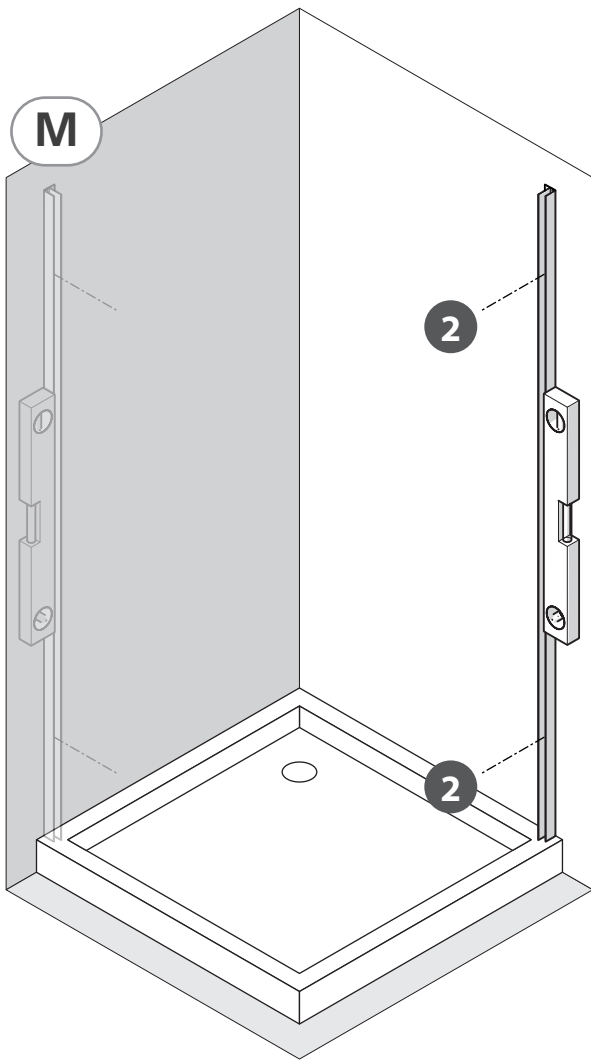
ELYTF66	X=66-69 cm
ELYTF68	X=68-71 cm
ELYTF69	X=69-72 cm
ELYTF72	X=72-75 cm
ELYTF75	X=75-78 cm
ELYTF78	X=78-81 cm
ELYTF81	X=81-84 cm
ELYTF84	X=84-87 cm
ELYTF87	X=87-90 cm
ELYTF88	X=88-91 cm



M



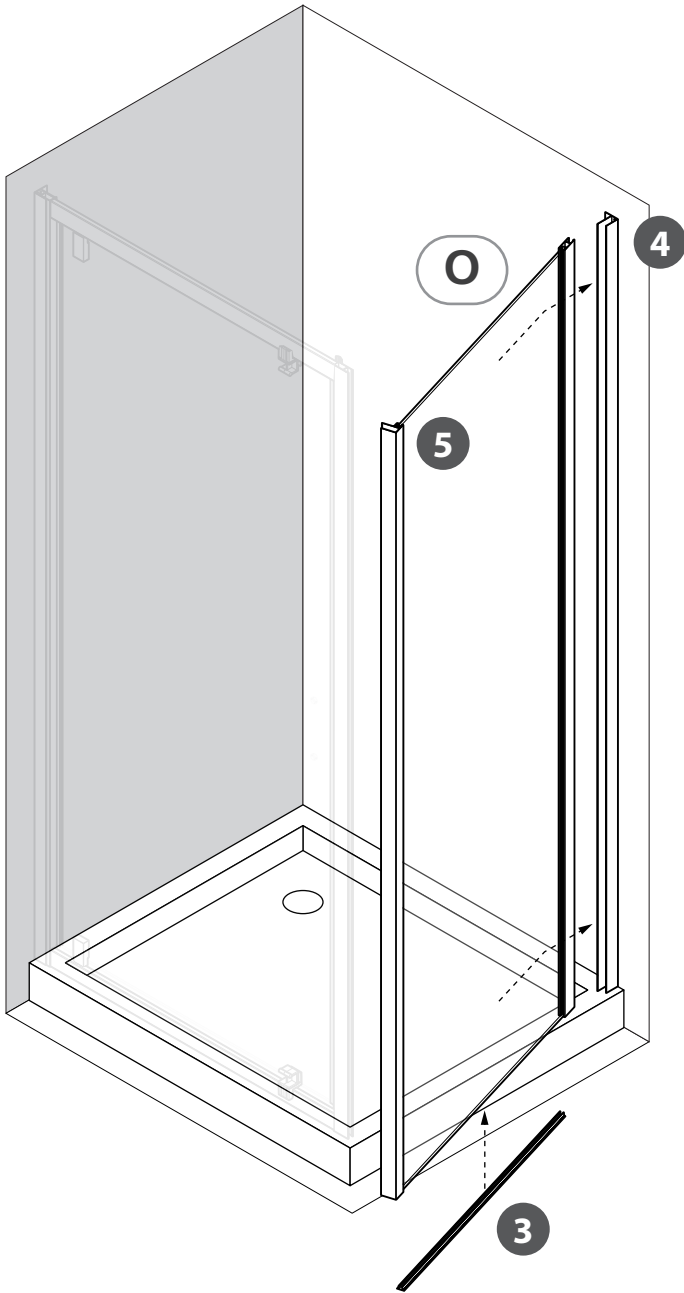
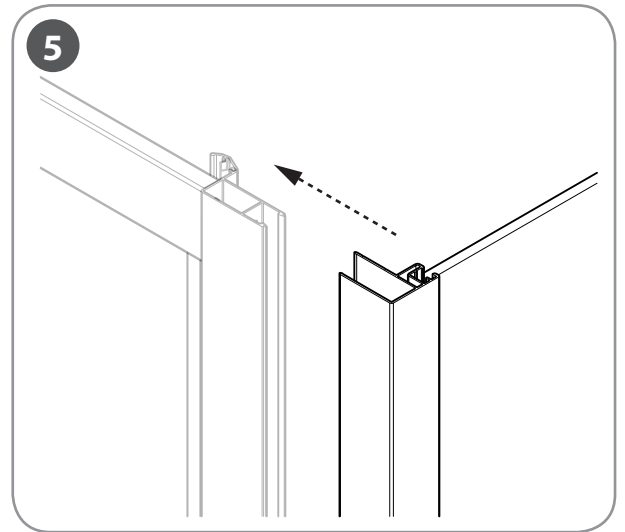
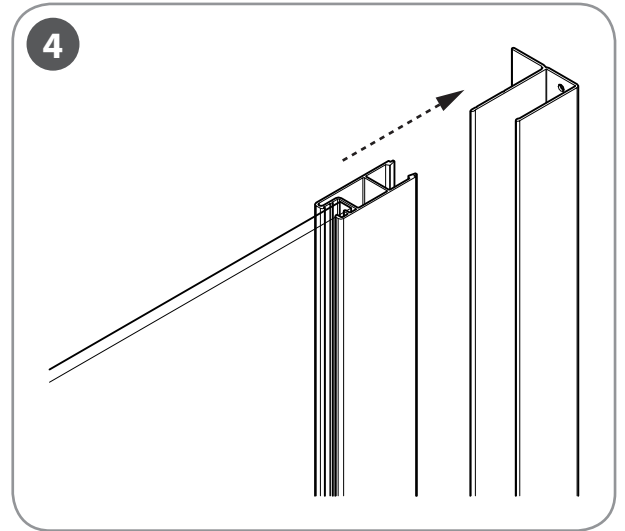
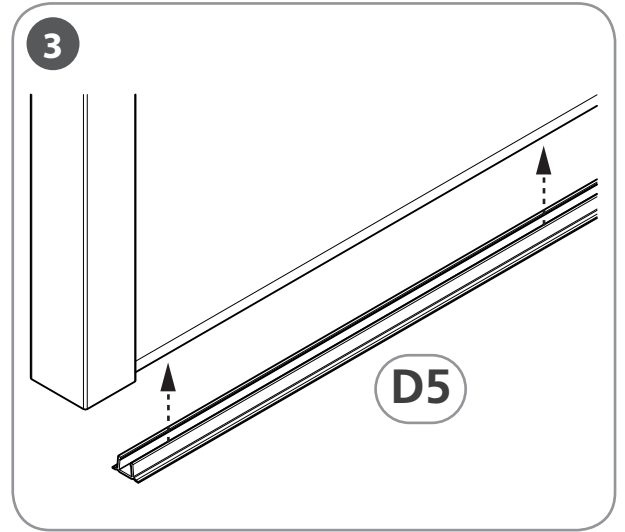
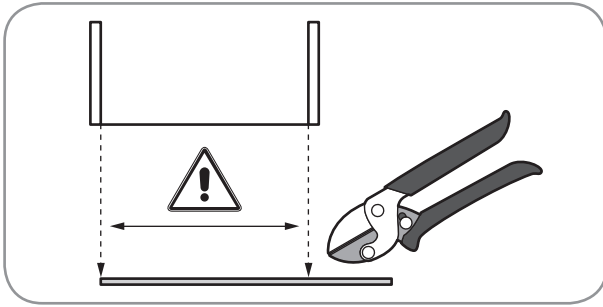
x2



4X35 mm x2

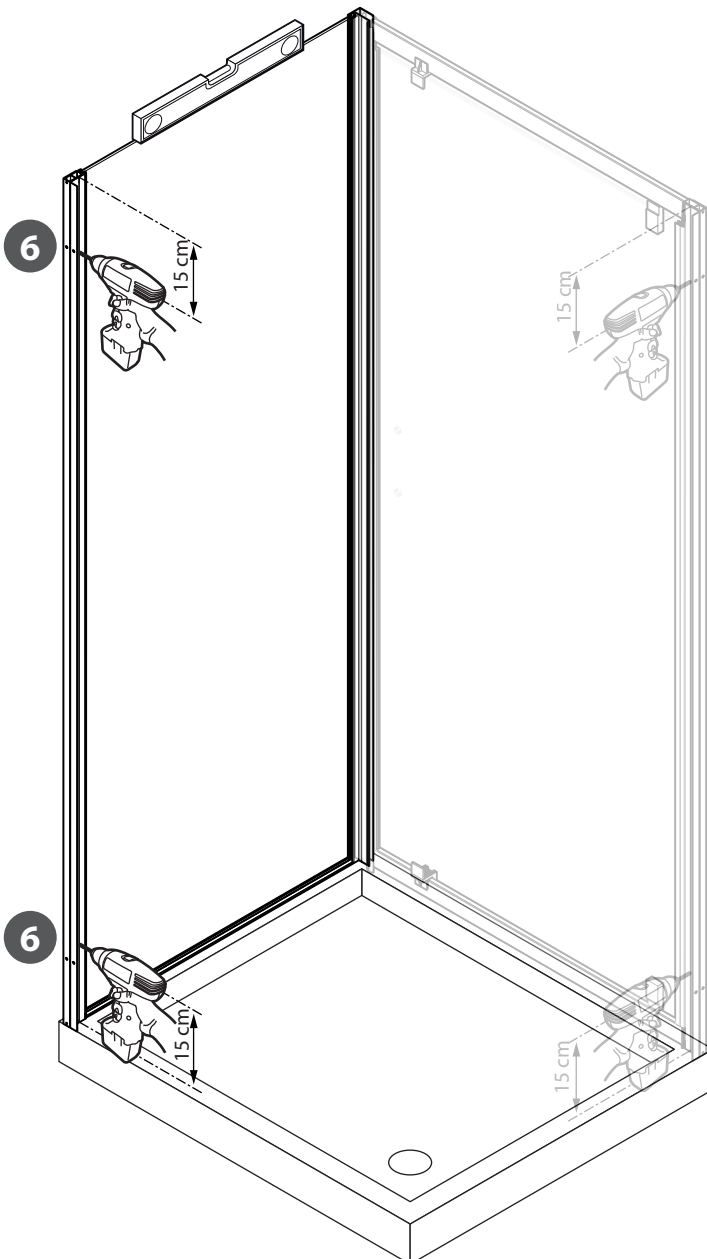
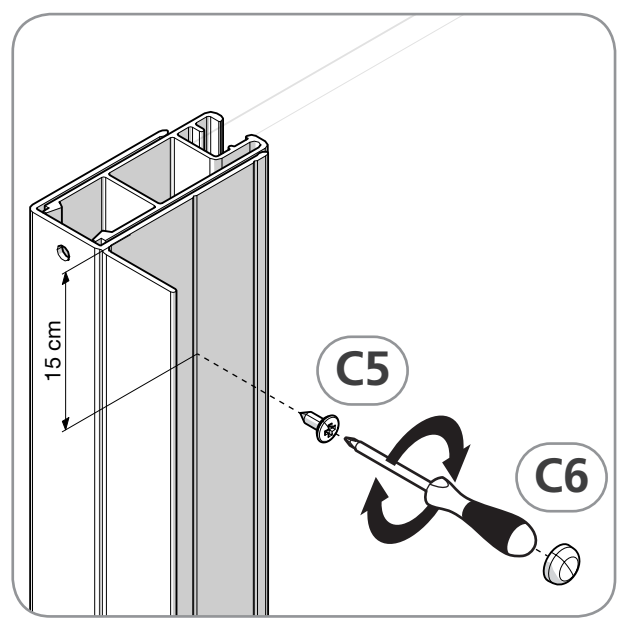
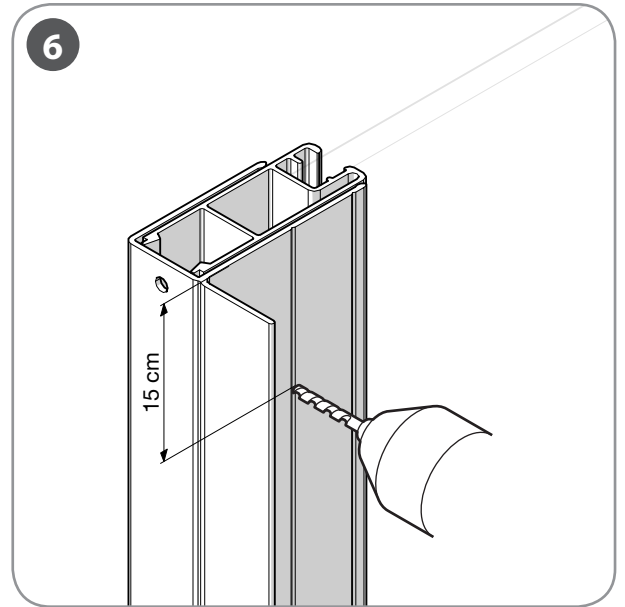
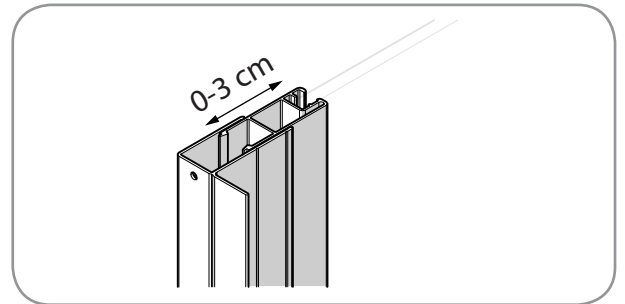
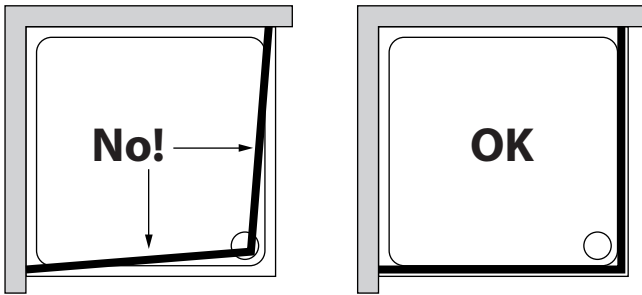
x2

3



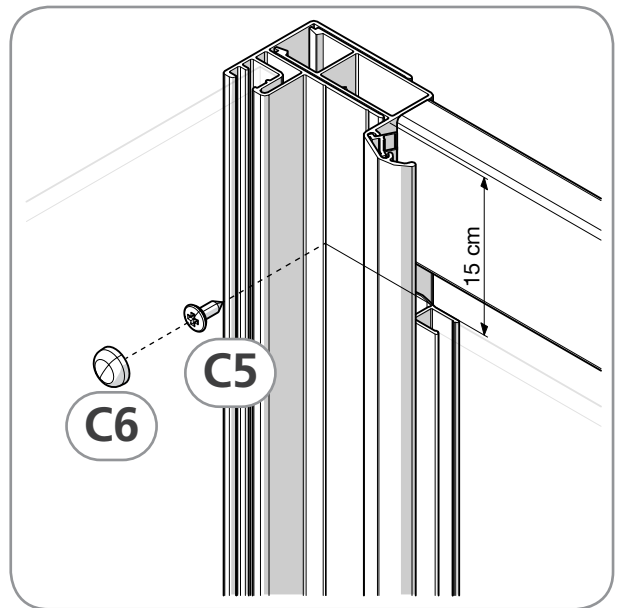
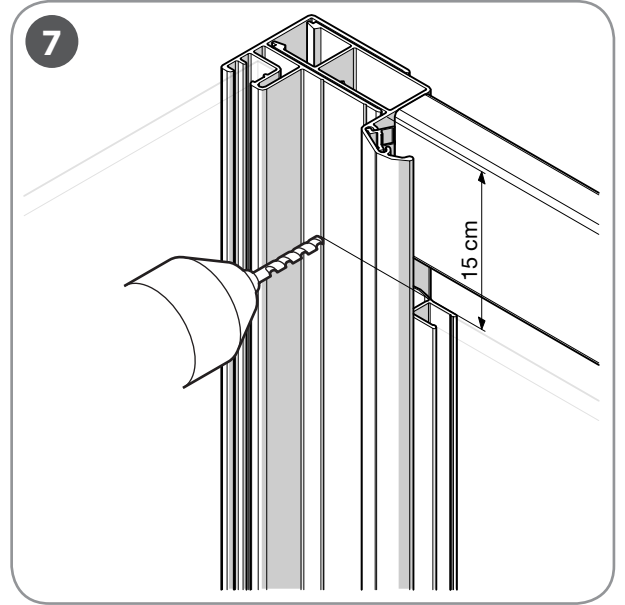
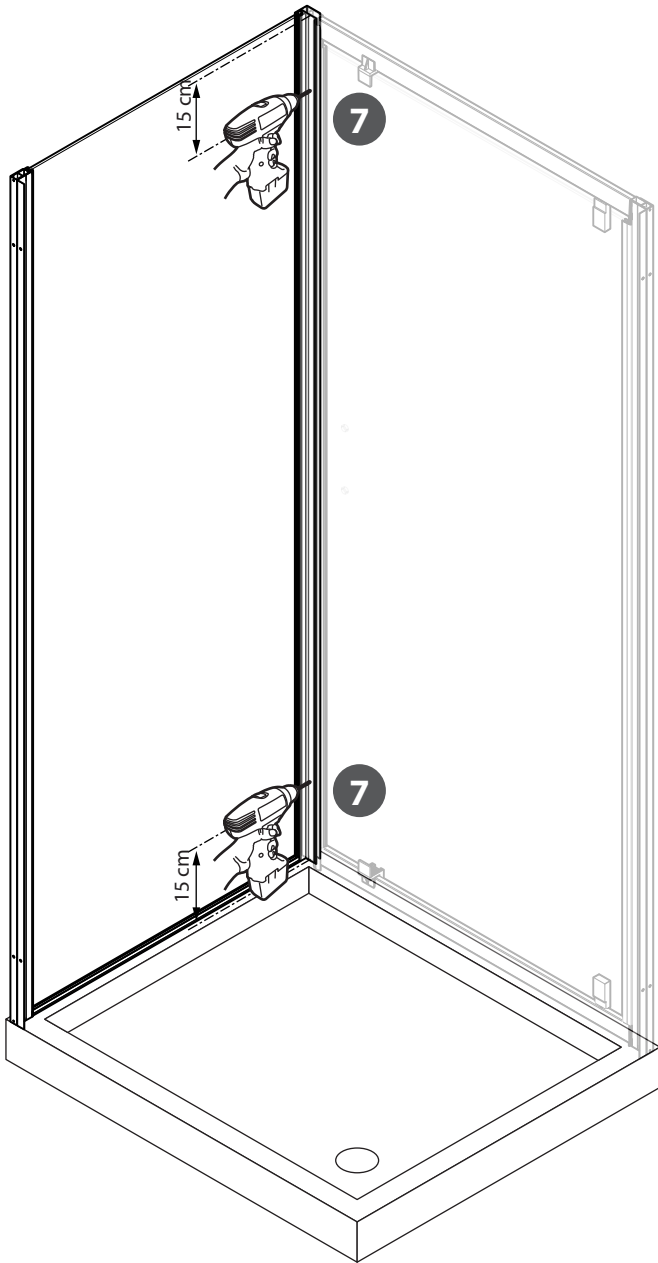
D5



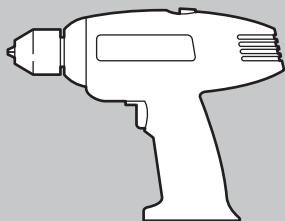


	+		C5		C6	
	ø3 mm		3,5x9,5 mm x2		x2	

5



+



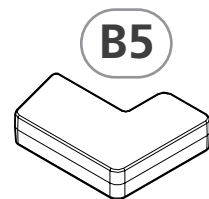
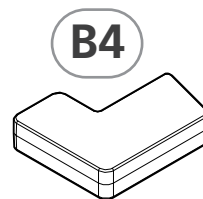
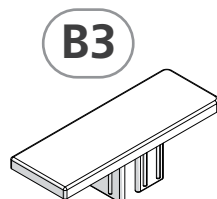
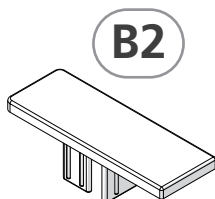
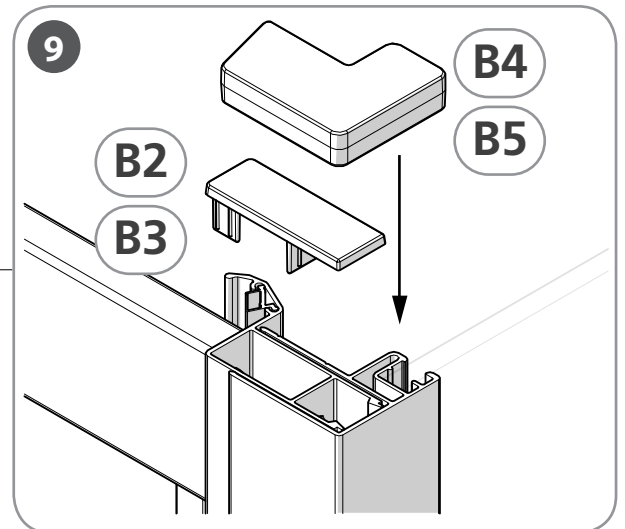
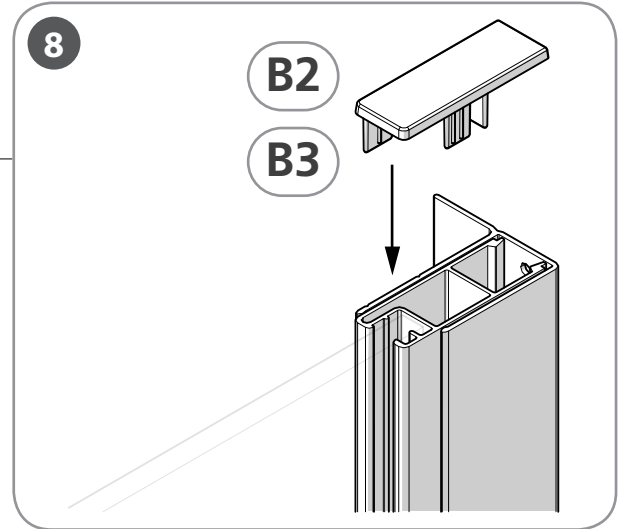
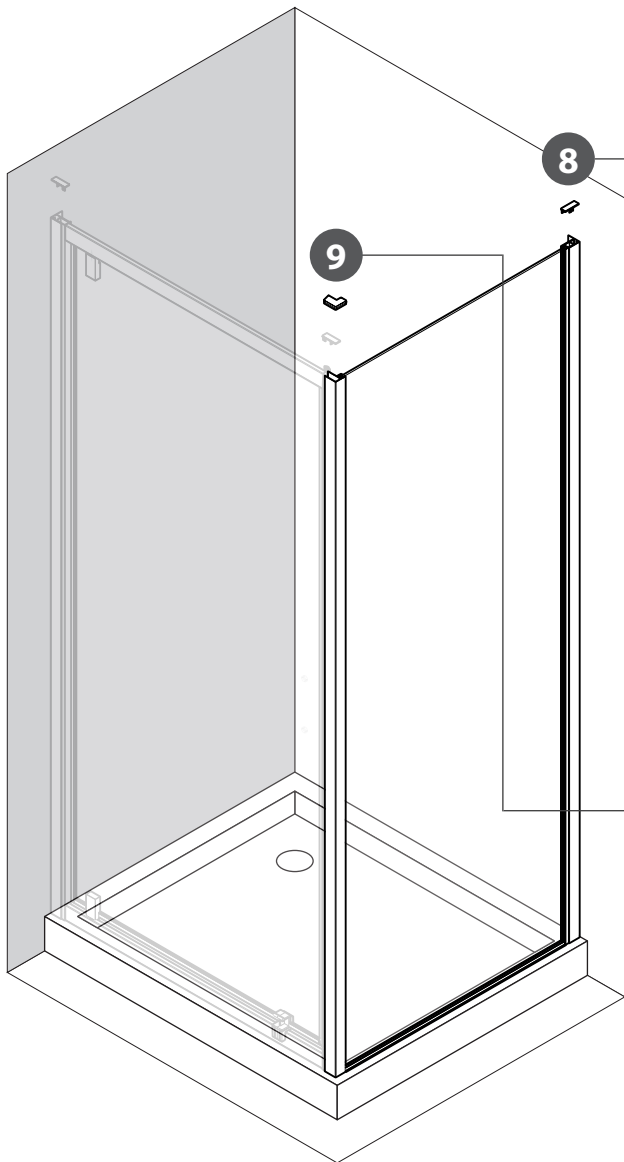
Ø3 mm



3,5x9,5 mm
x2

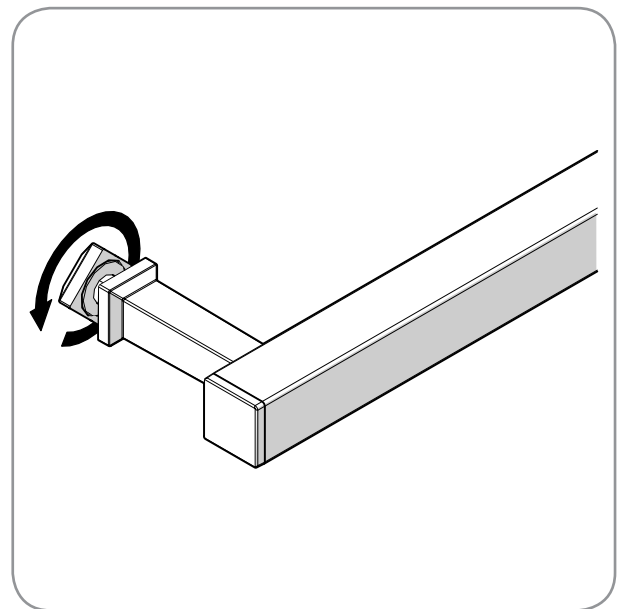
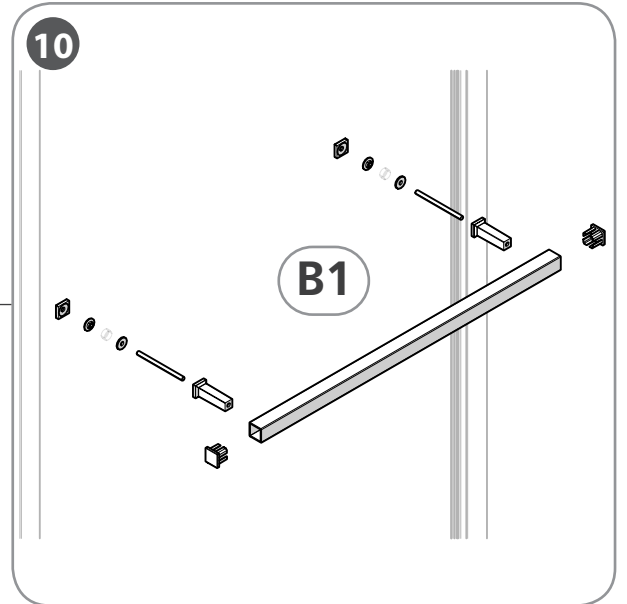
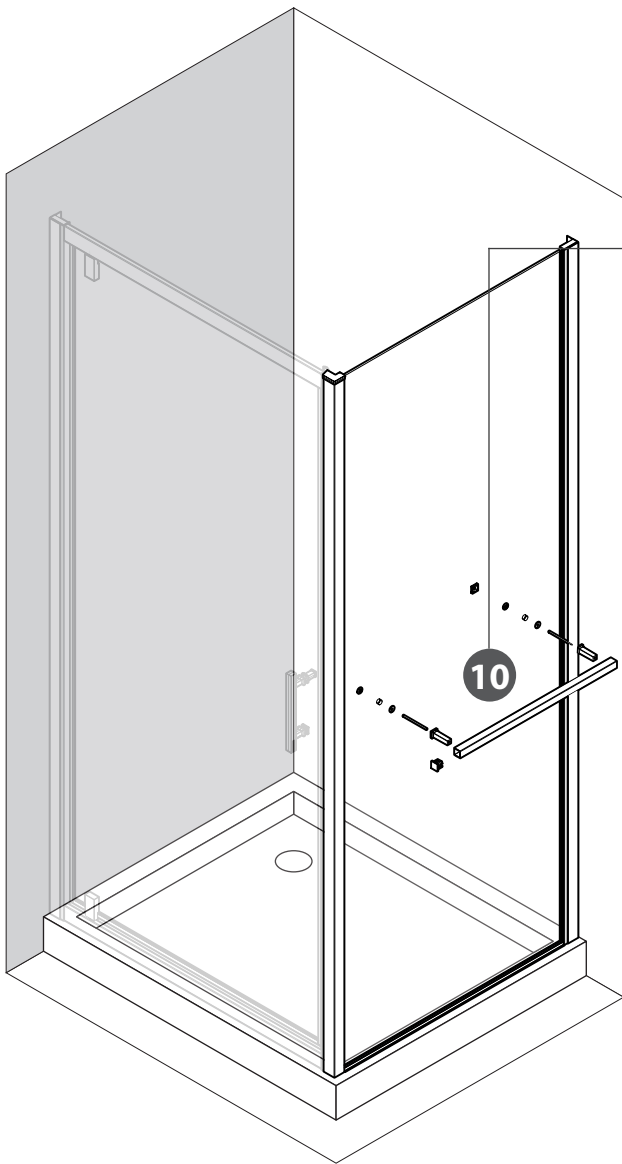


x2



7

ELYT F2



B1

