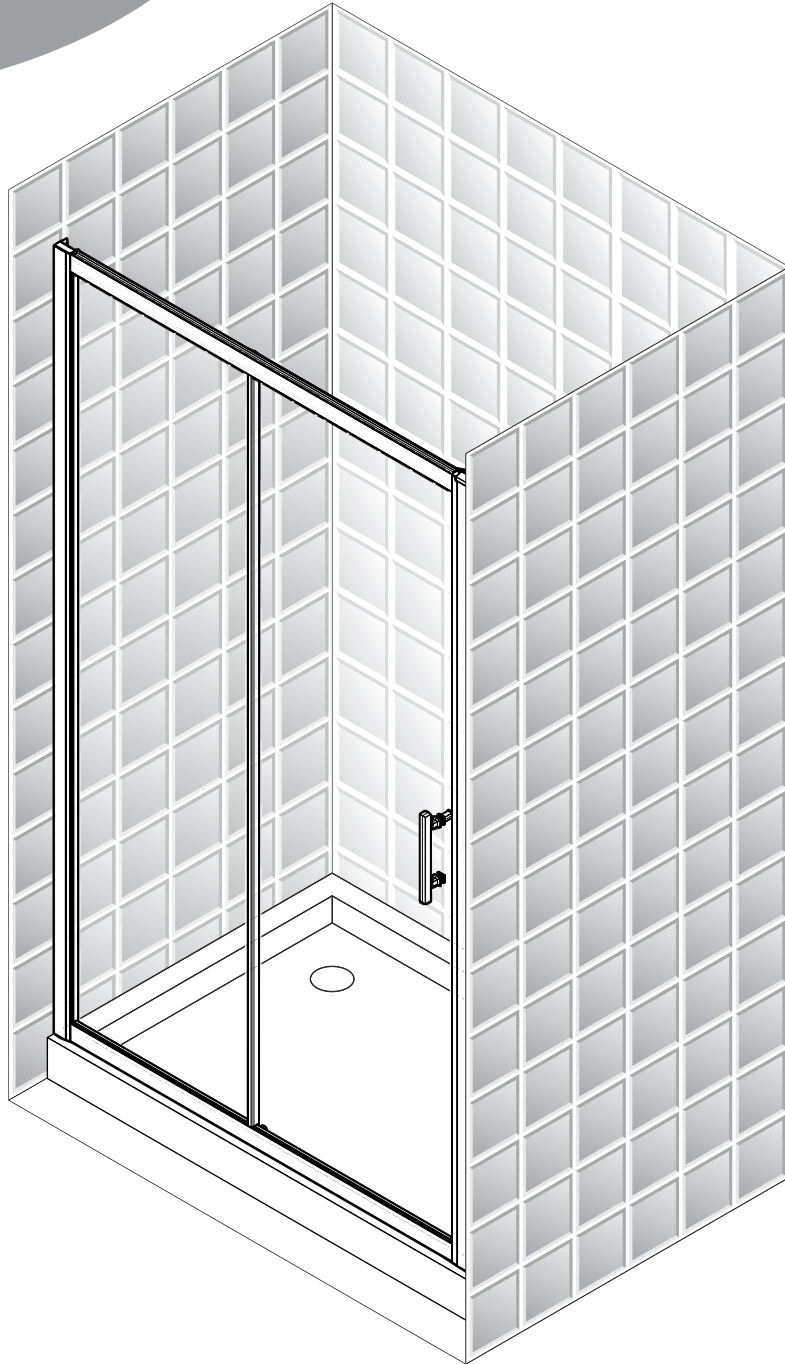
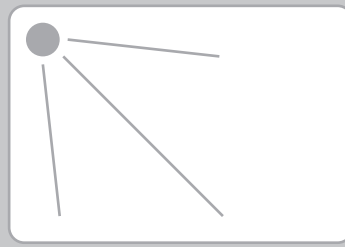


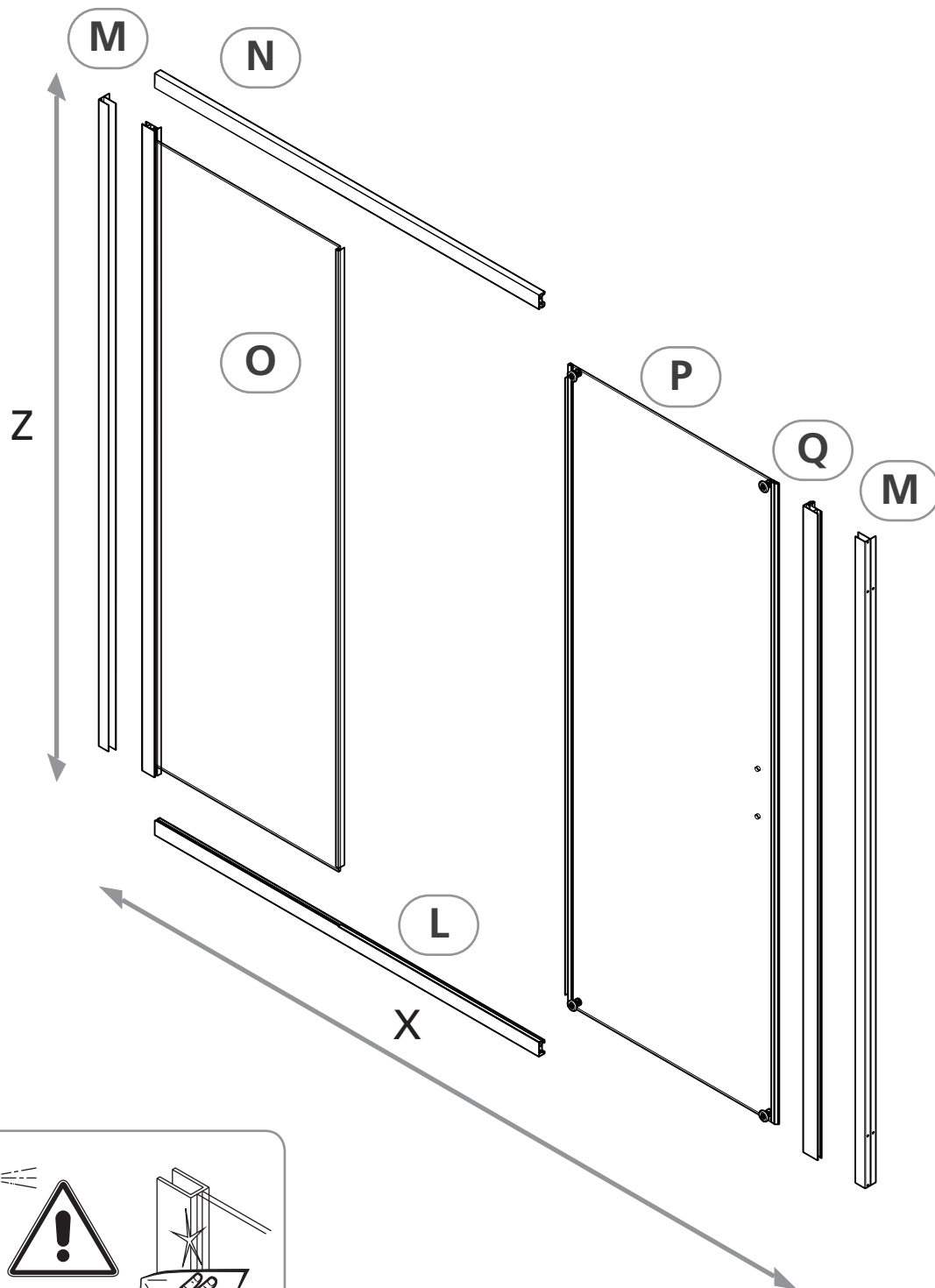


# ELYT - 2P

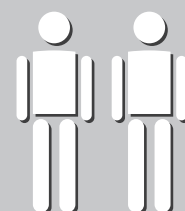
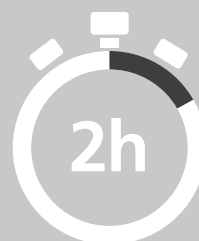


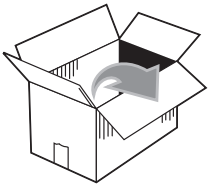
- ELYT2P116
- ELYT2P122
- ELYT2P128
- ELYT2P134
- ELYT2P140



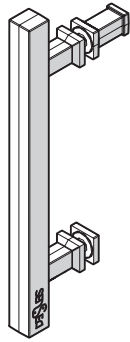


|           |              |          |
|-----------|--------------|----------|
| ELYT2P116 | X=116-122 cm | Z=190 cm |
| ELYT2P122 | X=122-128 cm | Z=190 cm |
| ELYT2P128 | X=128-134 cm | Z=190 cm |
| ELYT2P134 | X=134-140 cm | Z=190 cm |
| ELYT2P140 | X=140-146 cm | Z=190 cm |

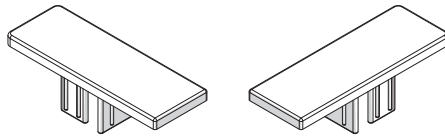




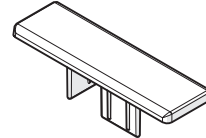
**B1**



**B2**

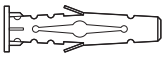


**B3**



**C1**

x4



**C2**

x4



4X35 mm

**C3**

x4



3,5x45 mm

**C5**

x4



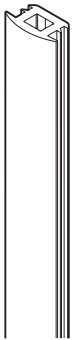
3,5x9,5 mm

**C6** x6

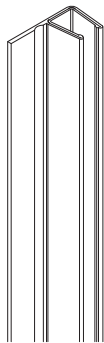


**D1**

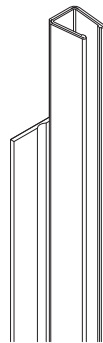
x2



**D2**

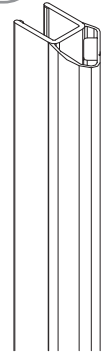


h 1815 mm



h 1884 mm

**D3**



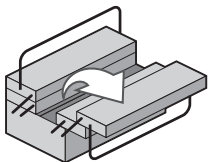
h 1900 mm



h 1883 mm

**D4**

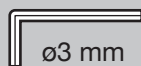
x2



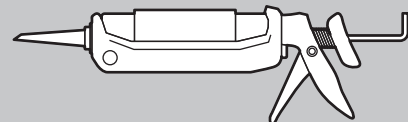
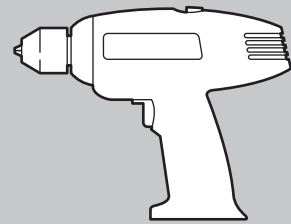
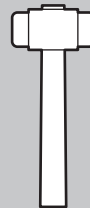
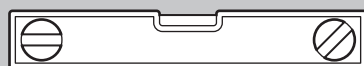
ø6 mm



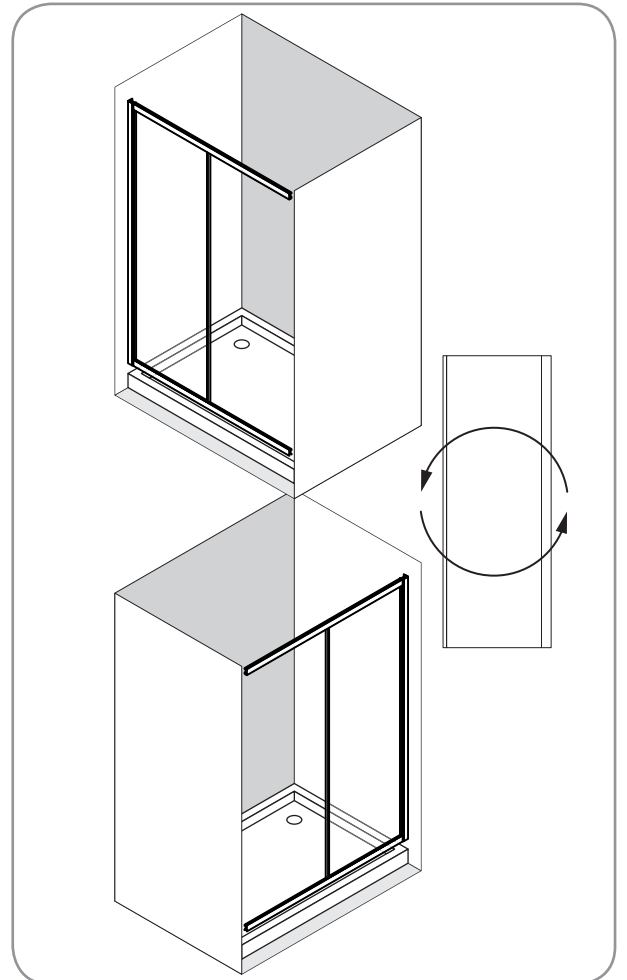
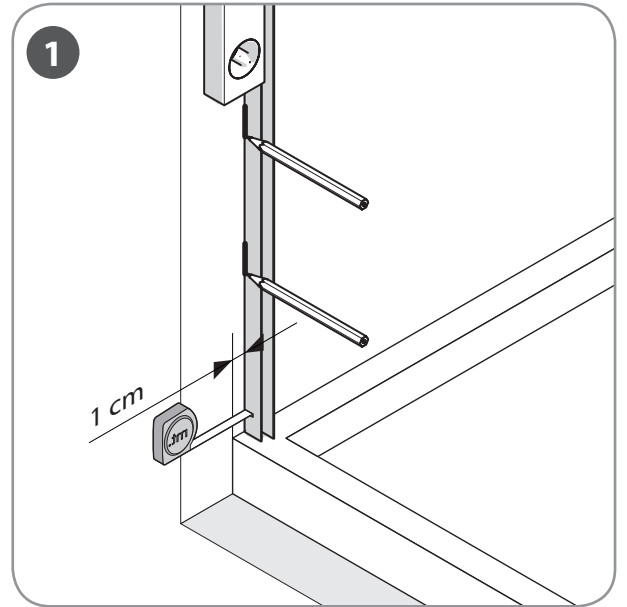
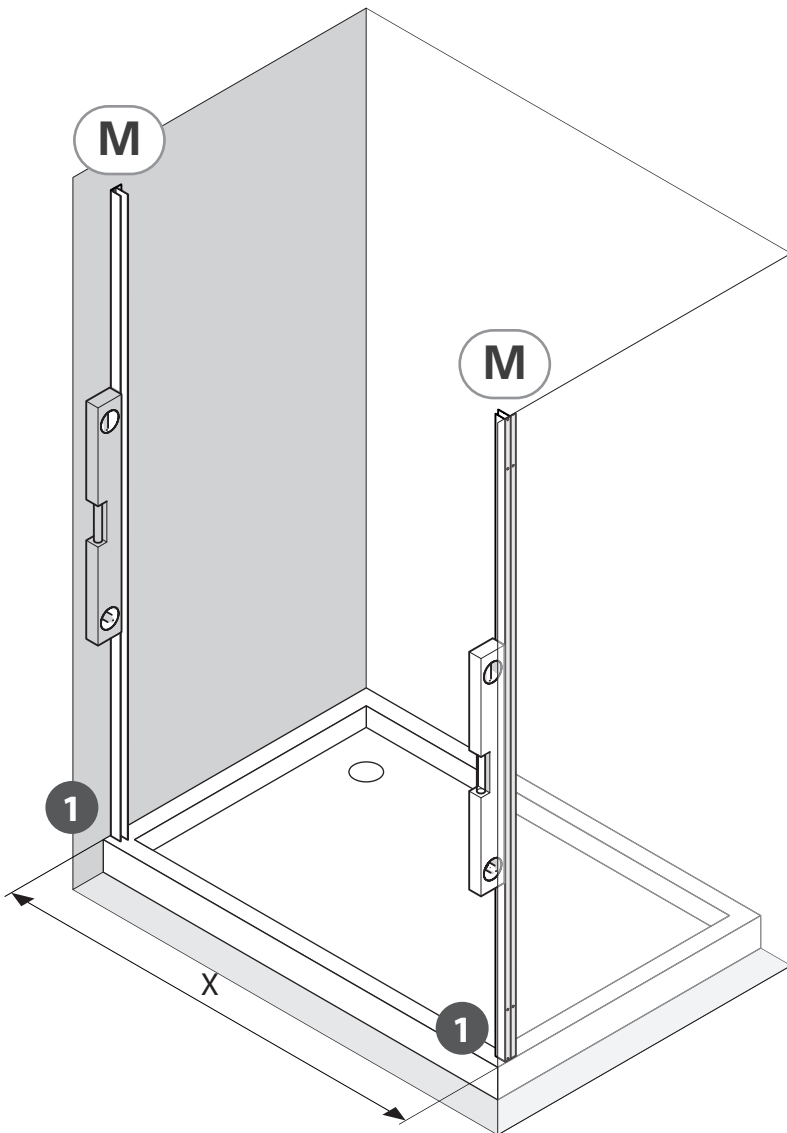
ø3 mm



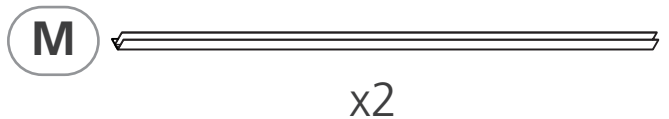
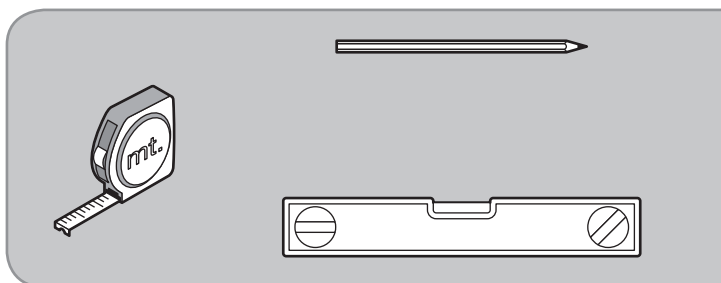
ø3 mm

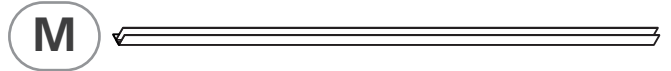
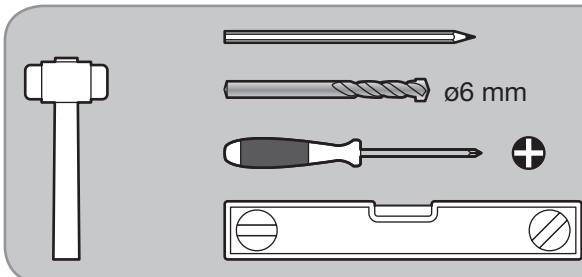
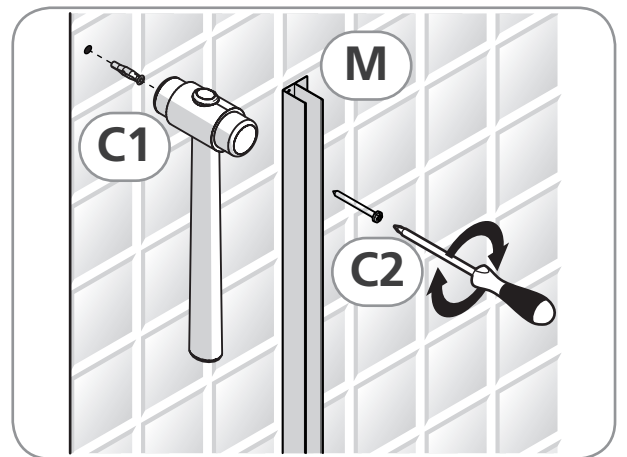
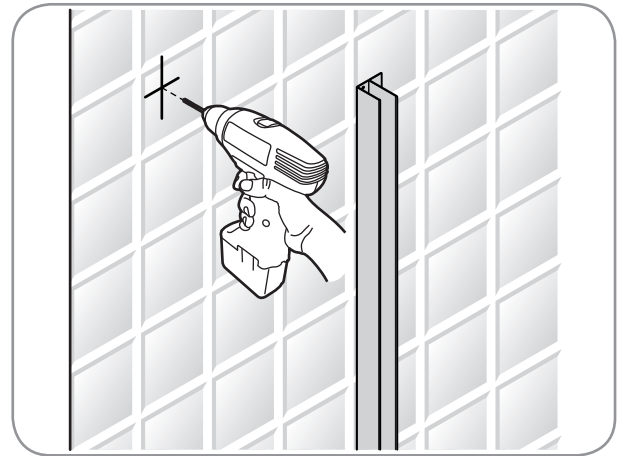
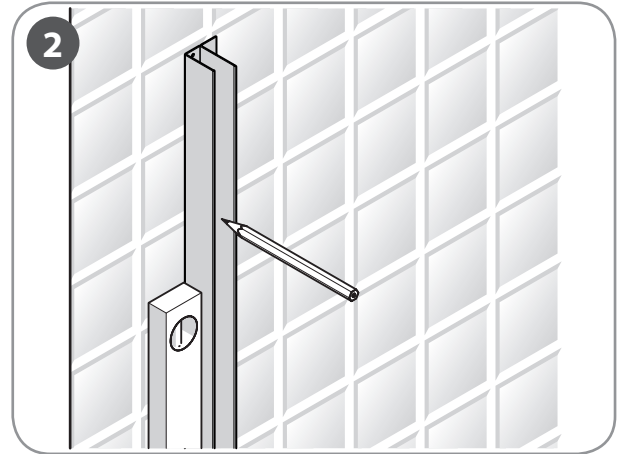
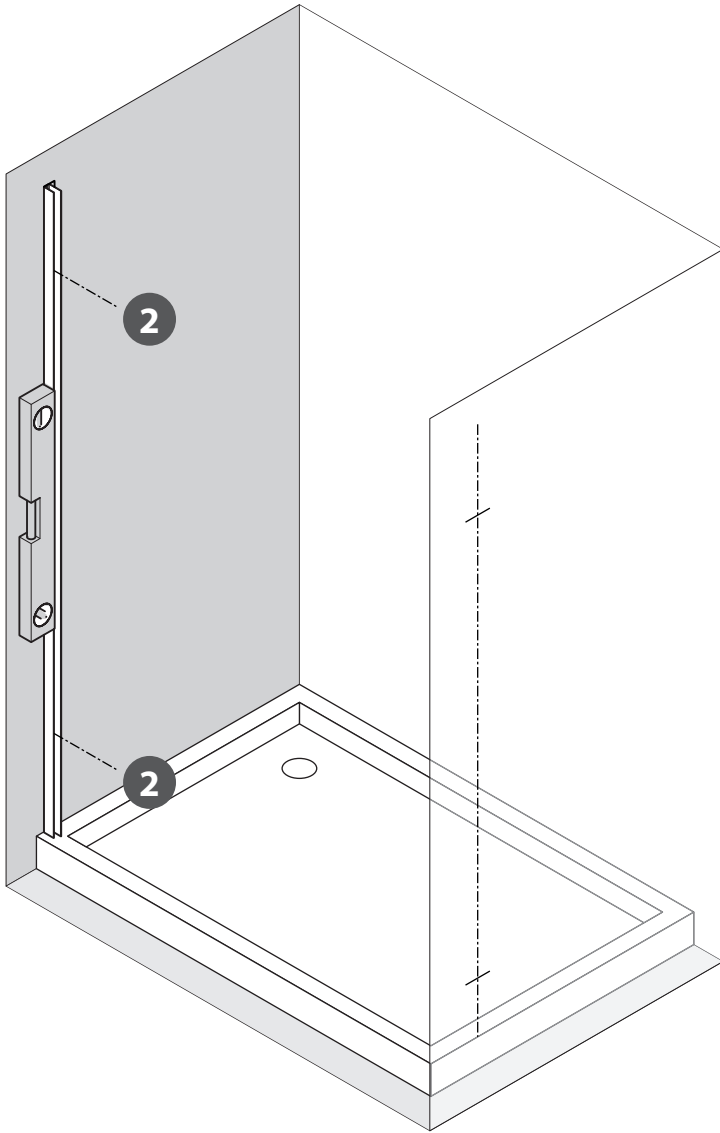


# 1

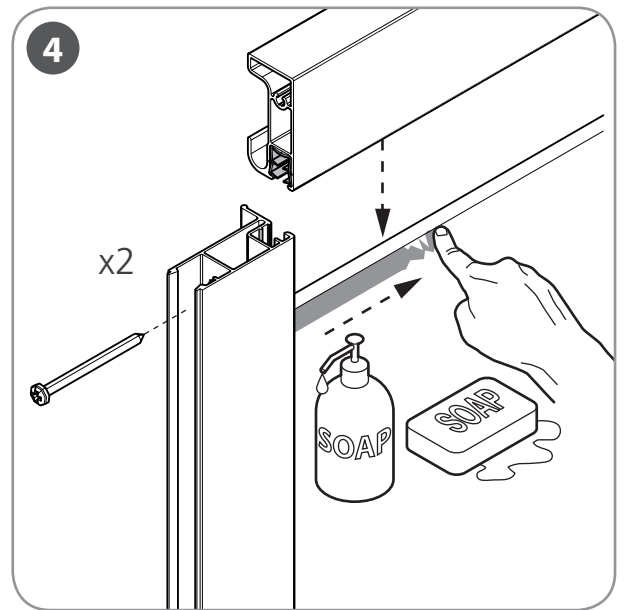
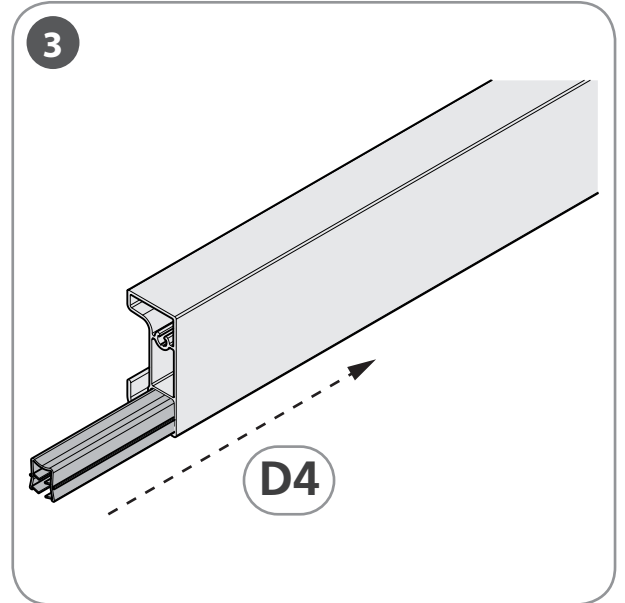
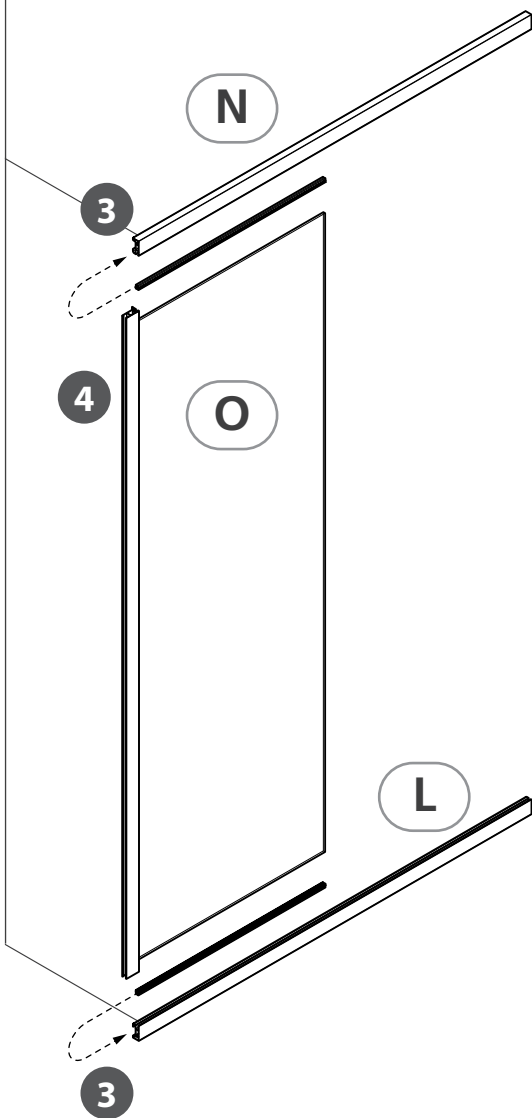
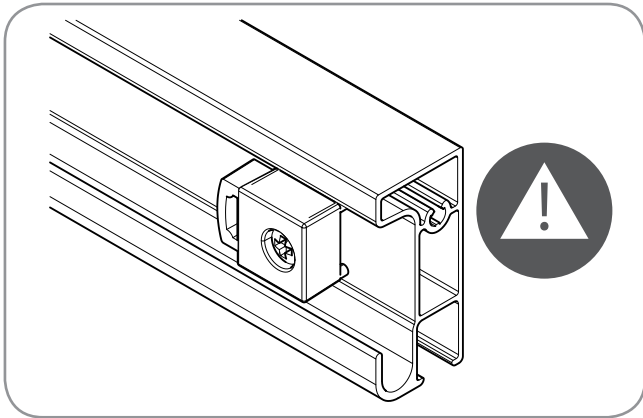


- ELYT2P116 X=116-122 cm
- ELYT2P122 X=122-128 cm
- ELYT2P128 X=128-134 cm
- ELYT2P134 X=134-140 cm
- ELYT2P140 X=140-146 cm





3

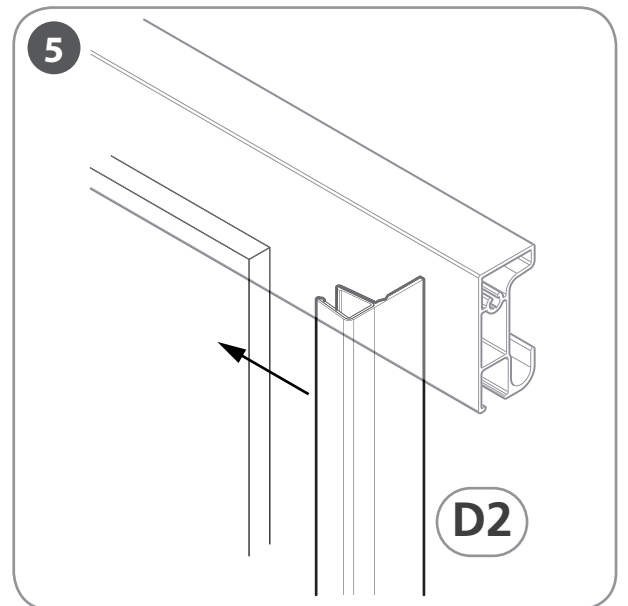
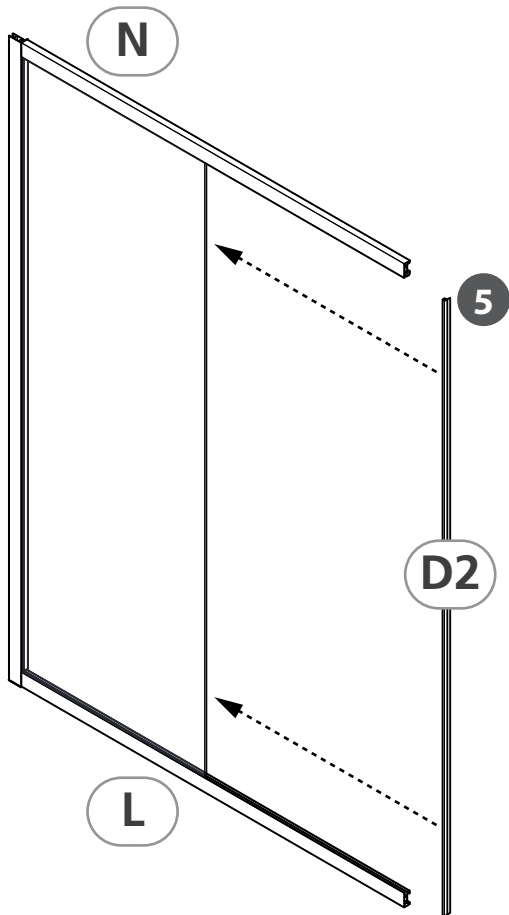


D4 x2



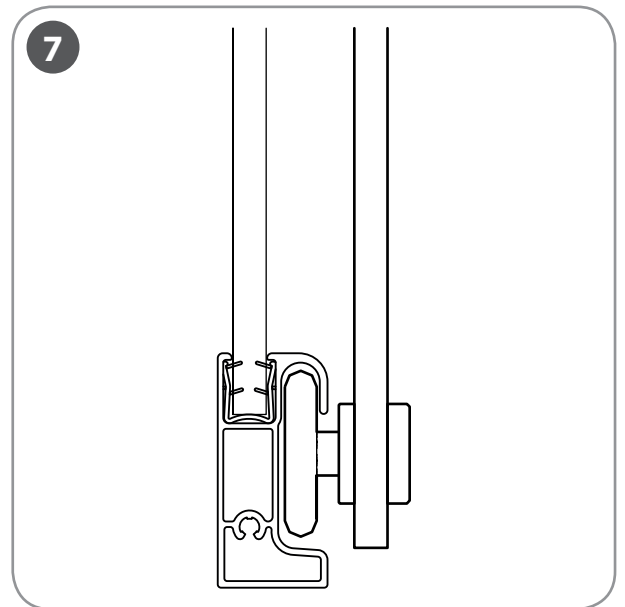
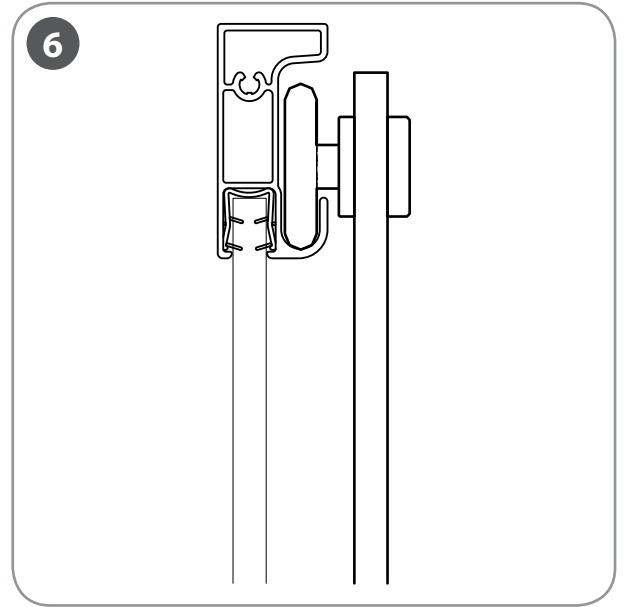
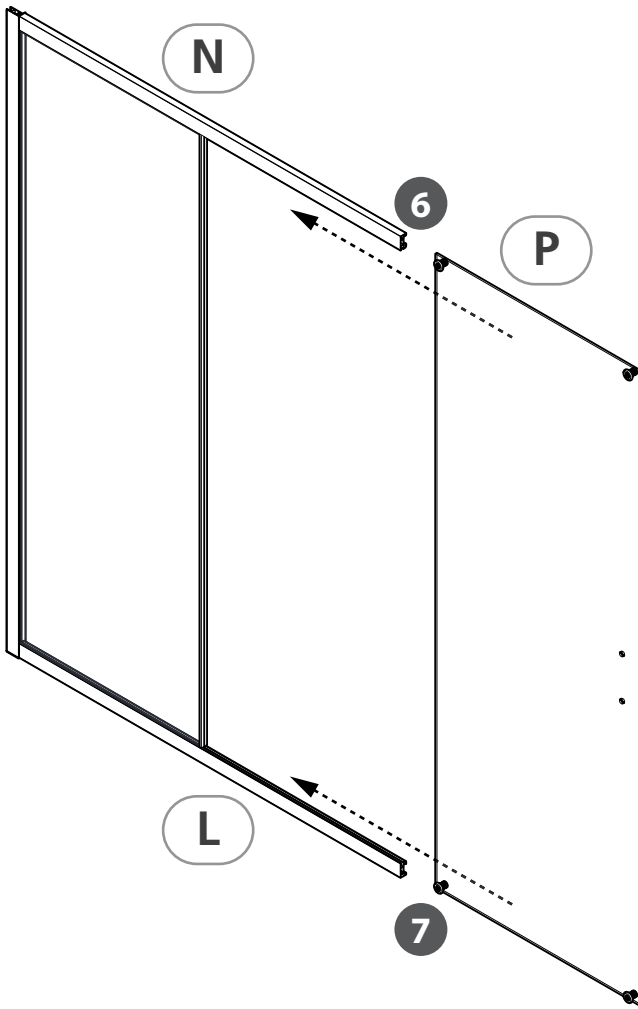
C2 3,5X45 mm x2



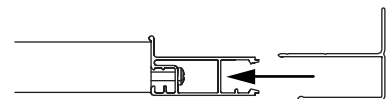
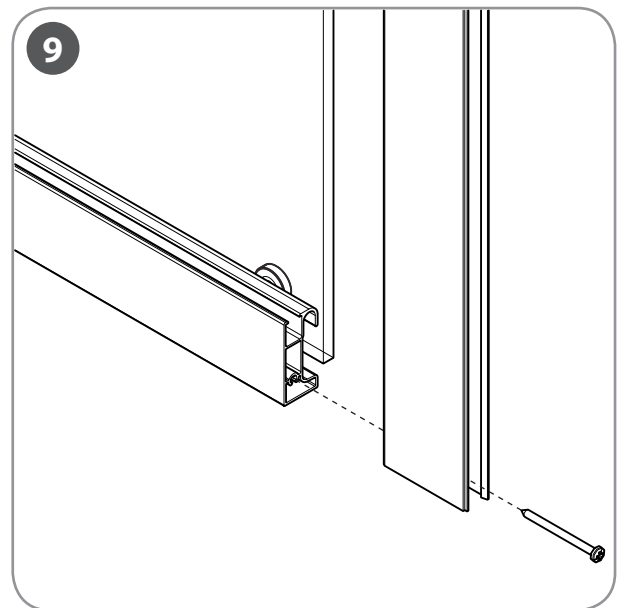
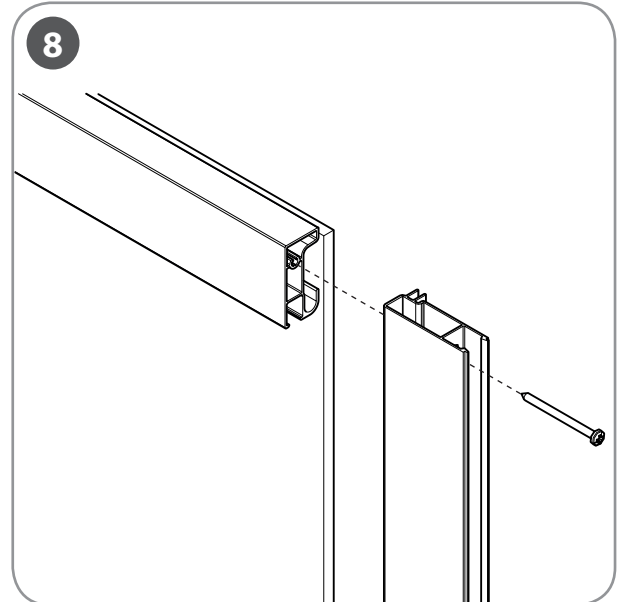
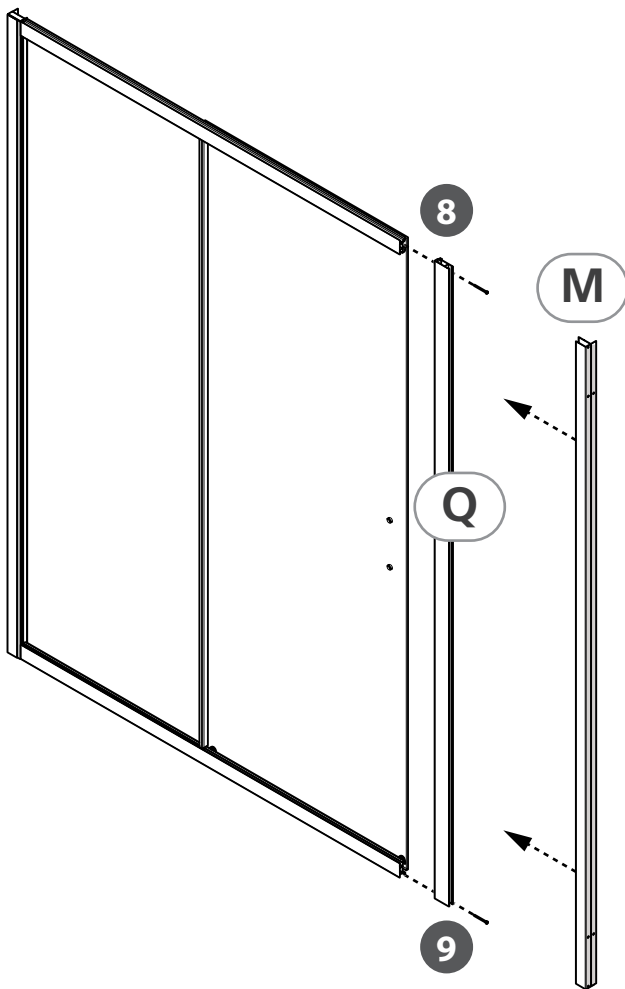
**D2**

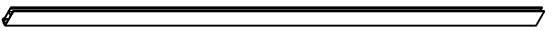


h 1815 mm

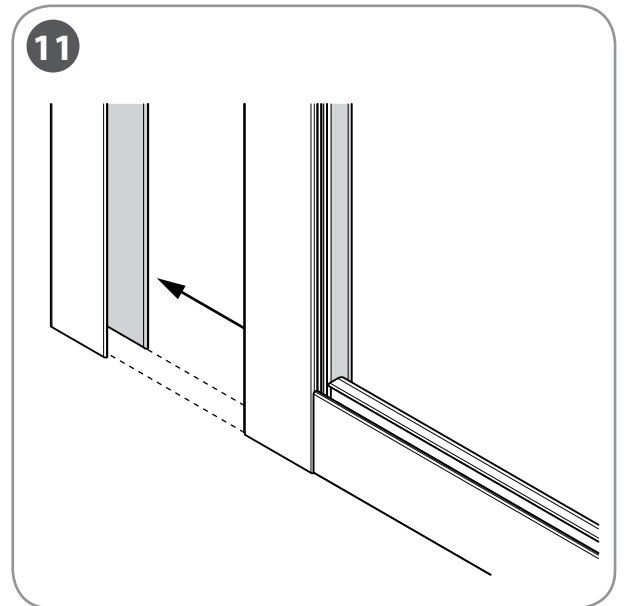
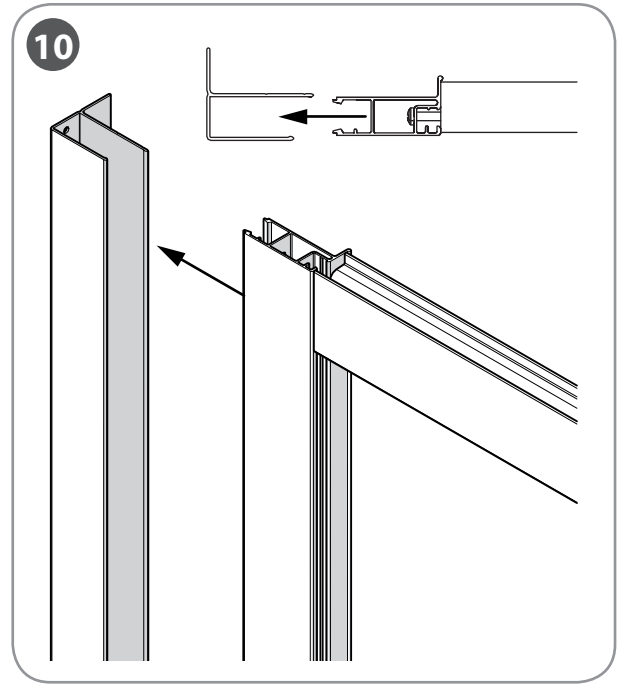
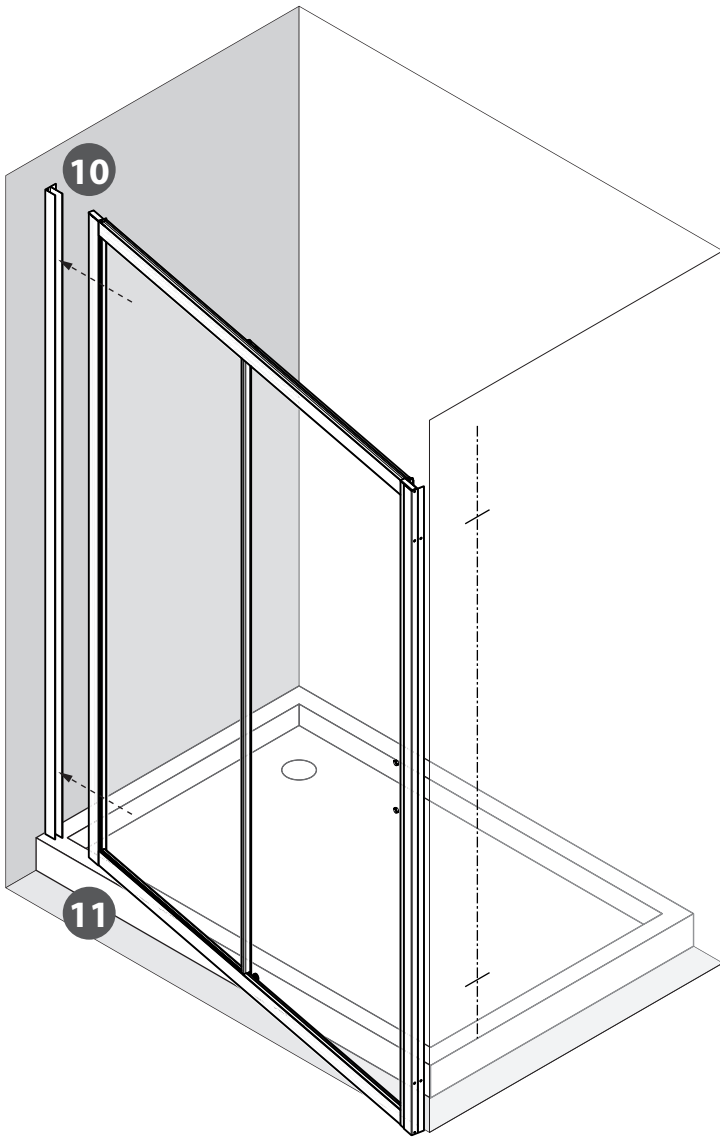
5

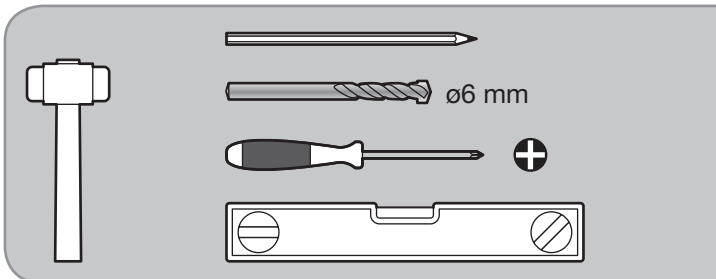
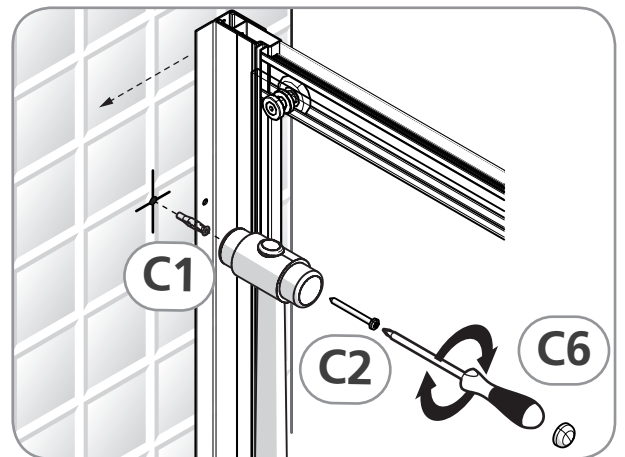
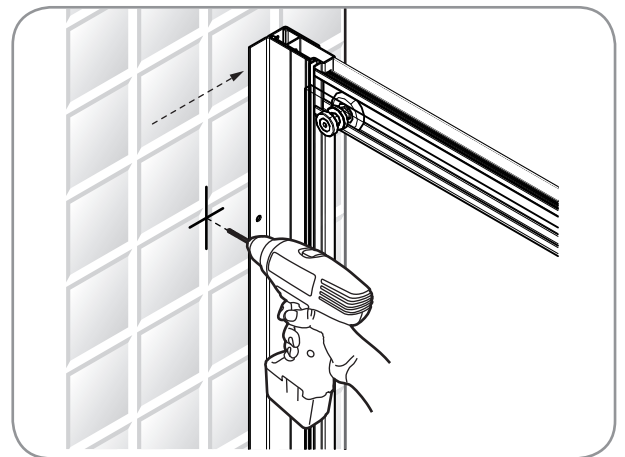
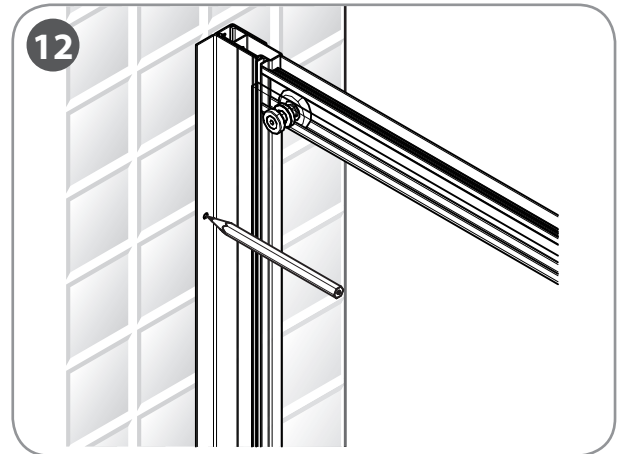
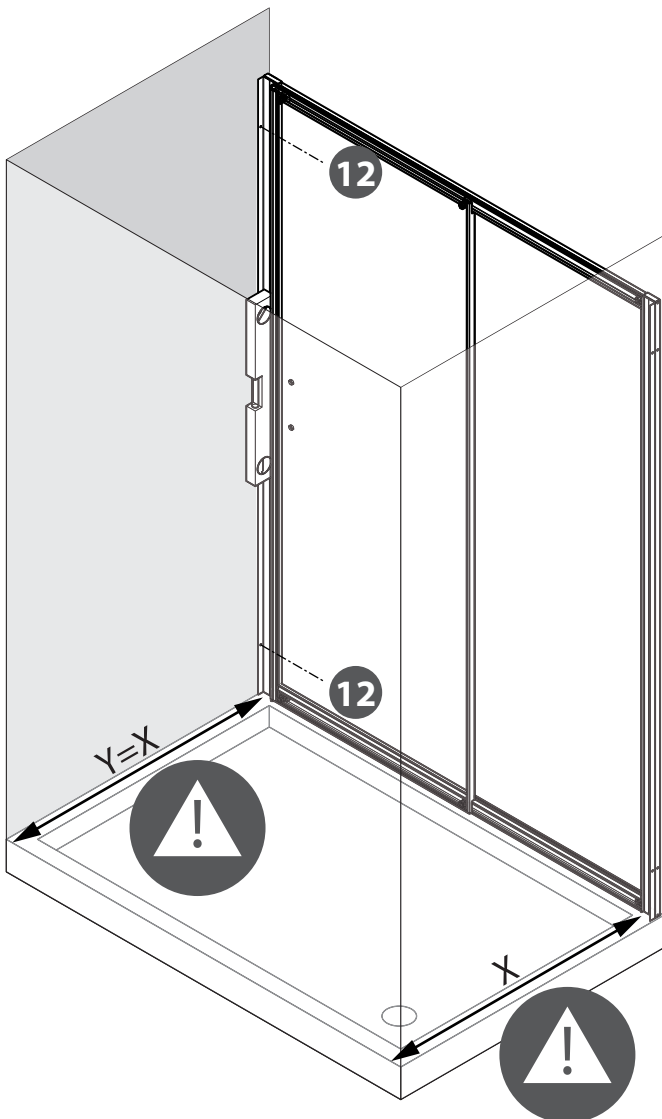
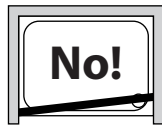




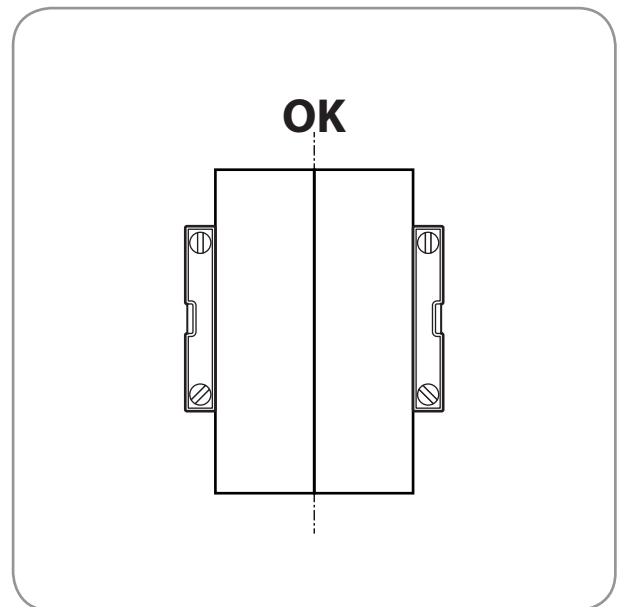
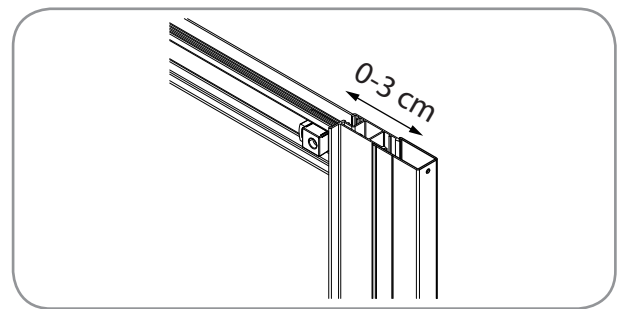
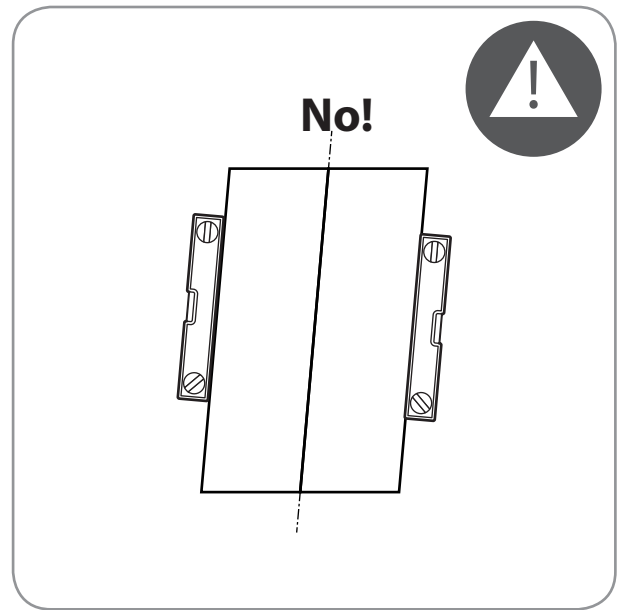
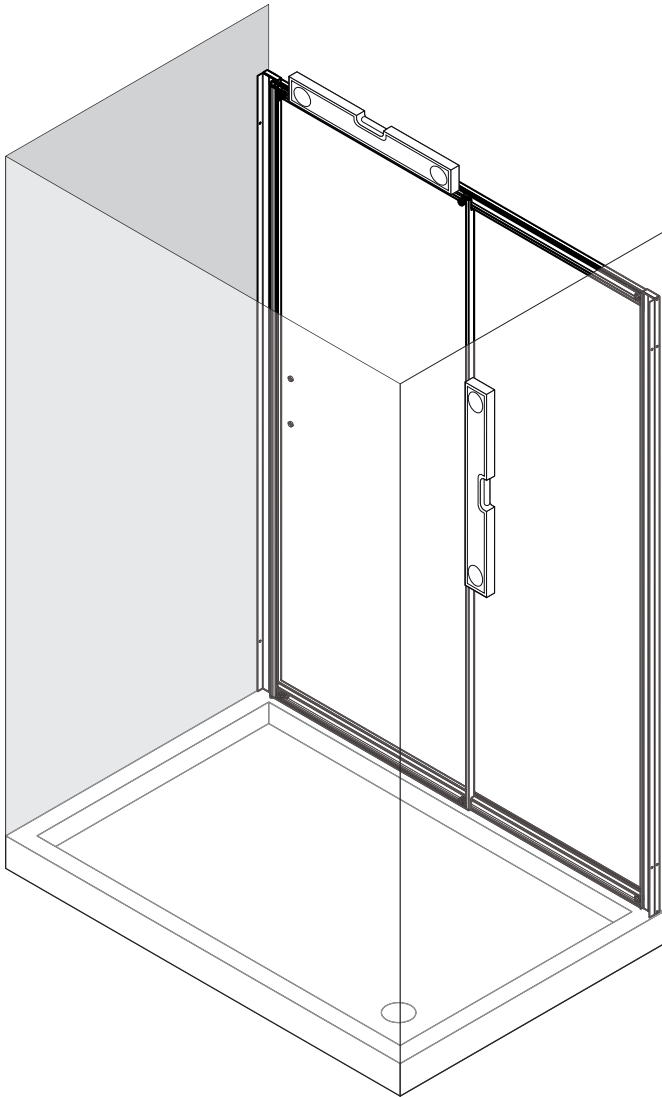


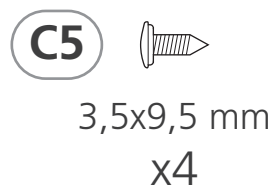
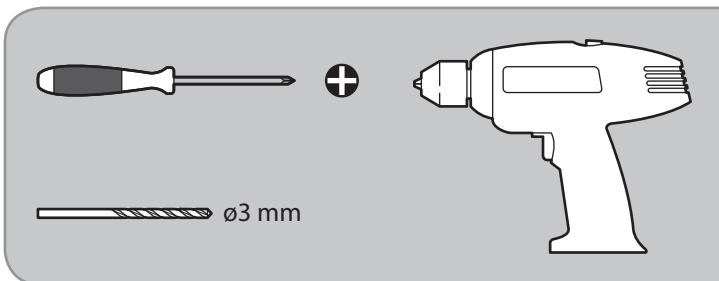
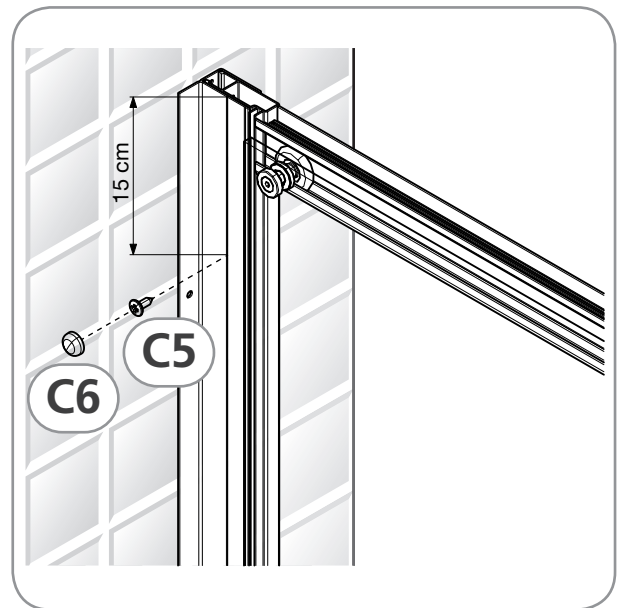
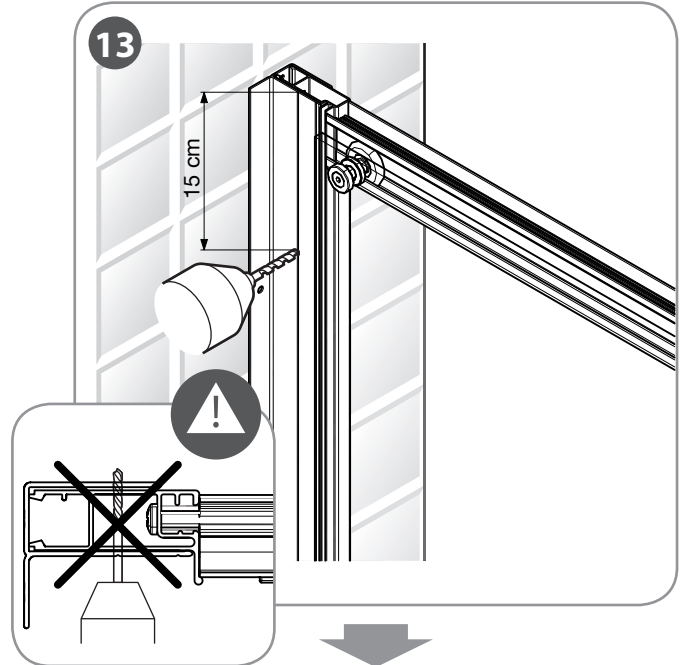
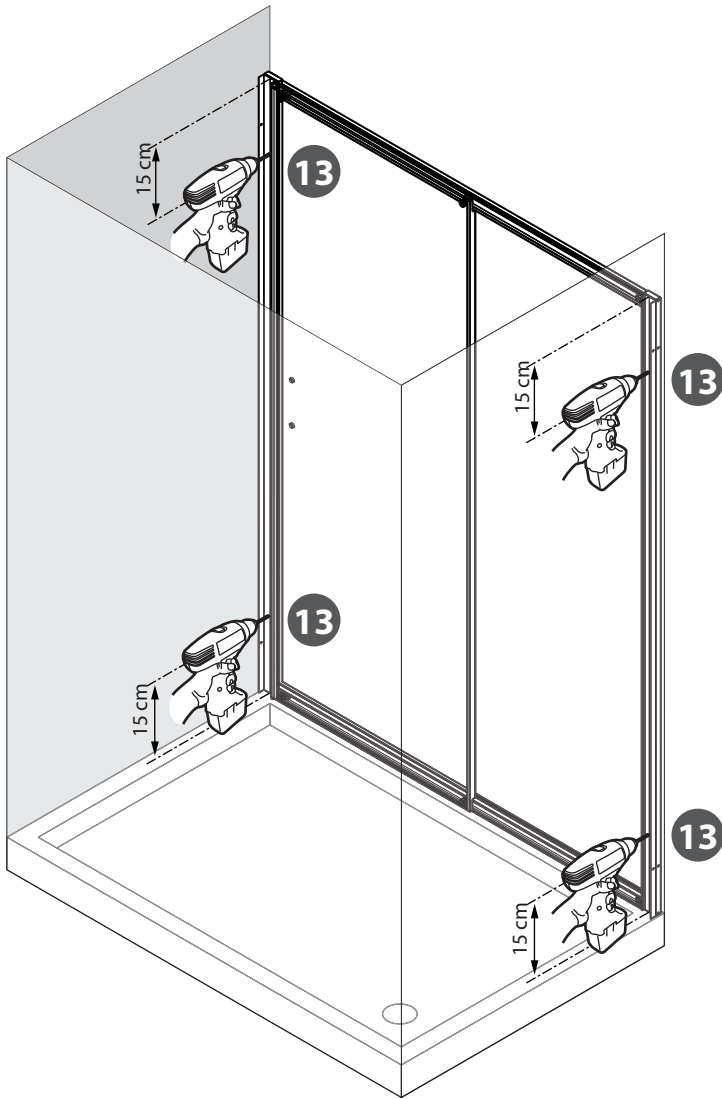
- Q** 
- M** 
- C2**  3,5X45 mm x2

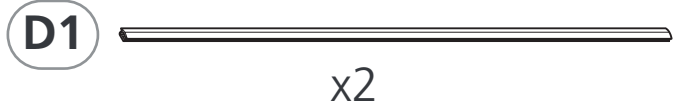
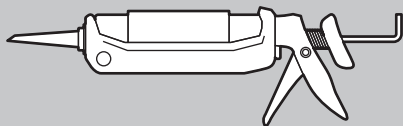
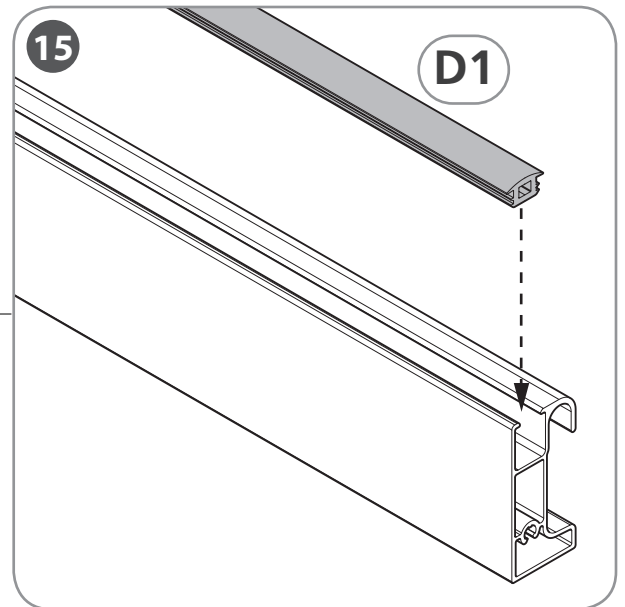
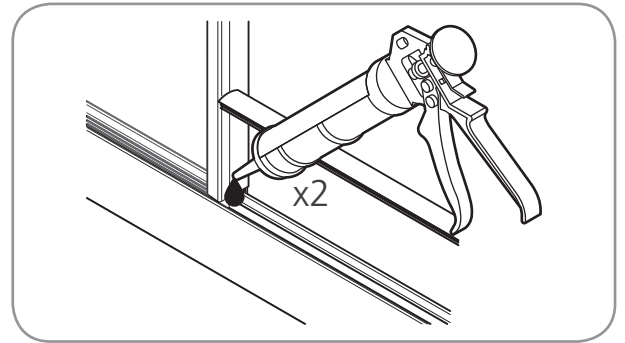
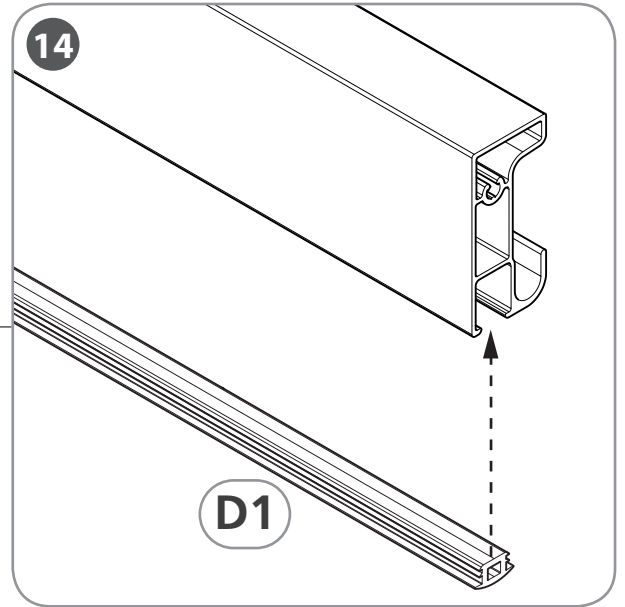
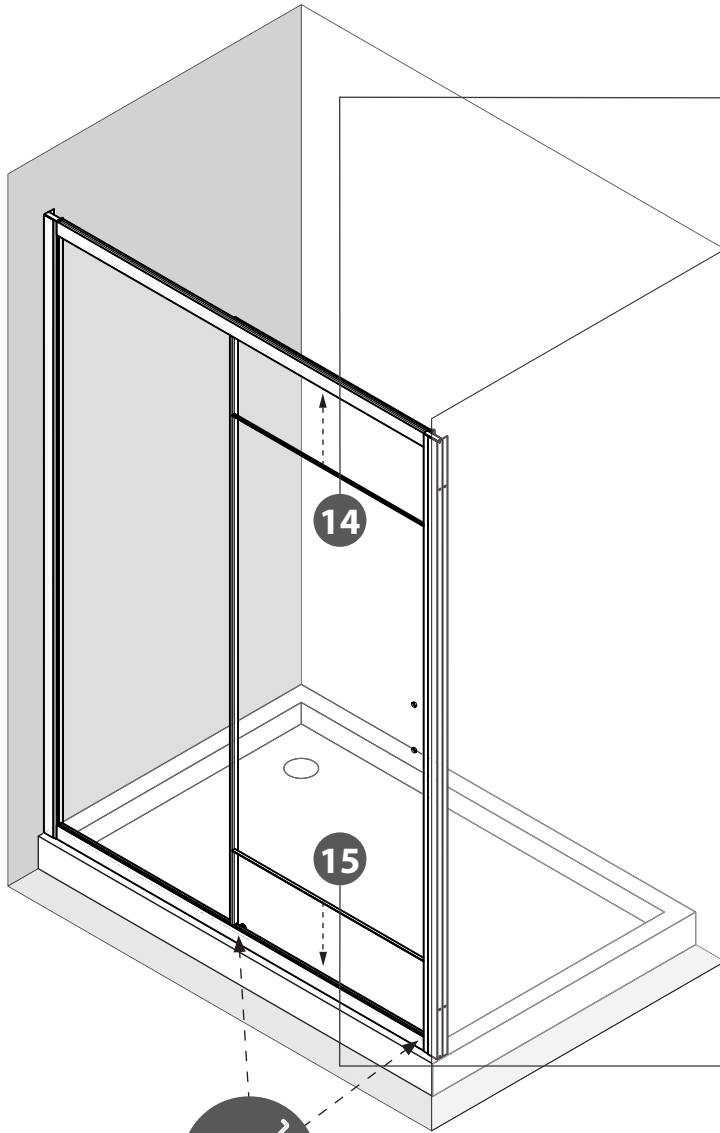


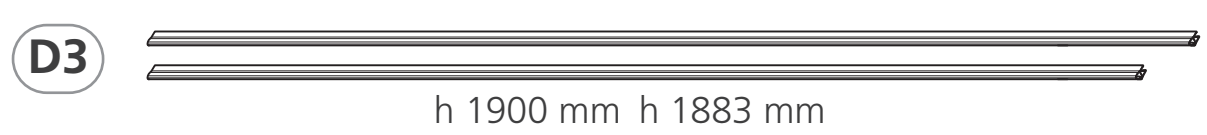
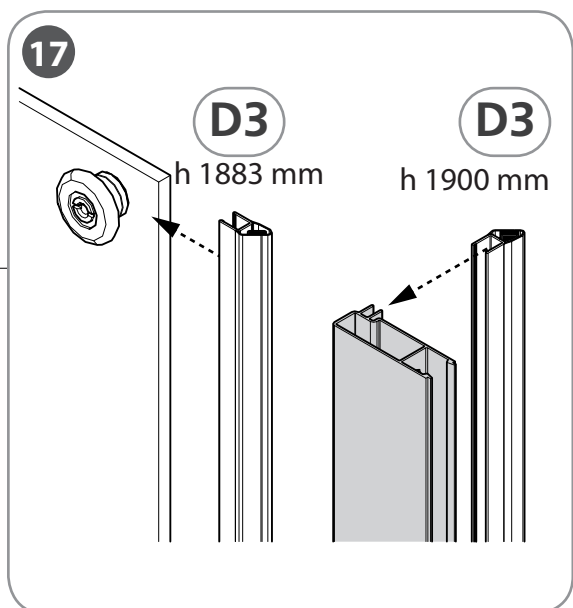
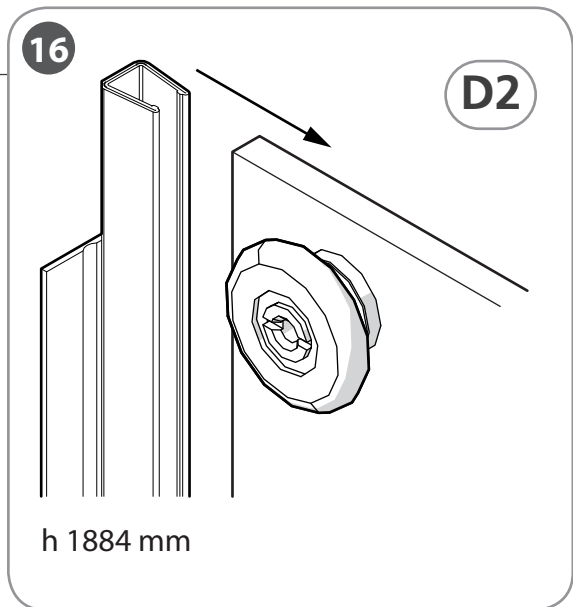
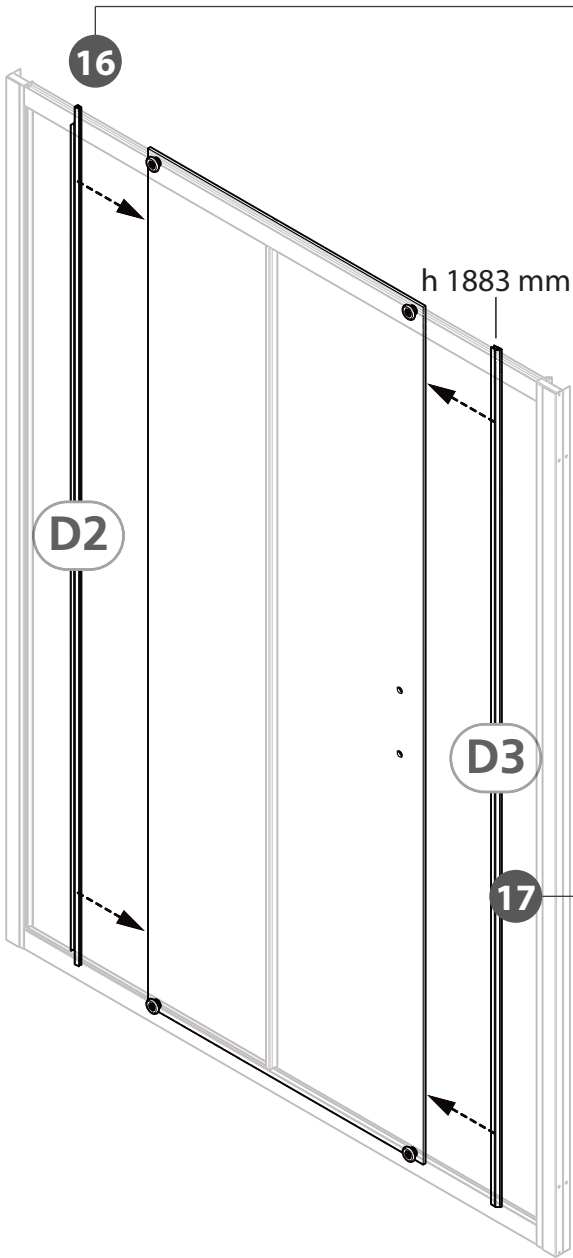


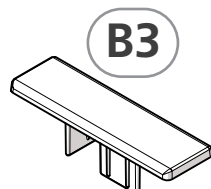
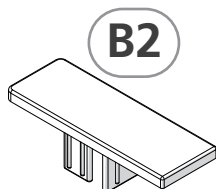
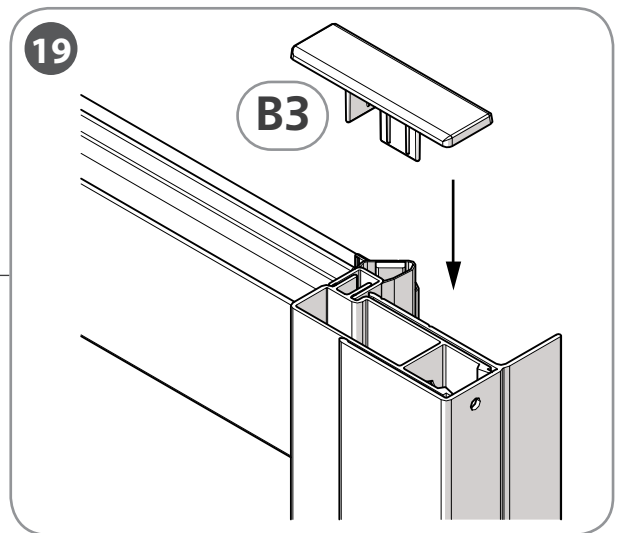
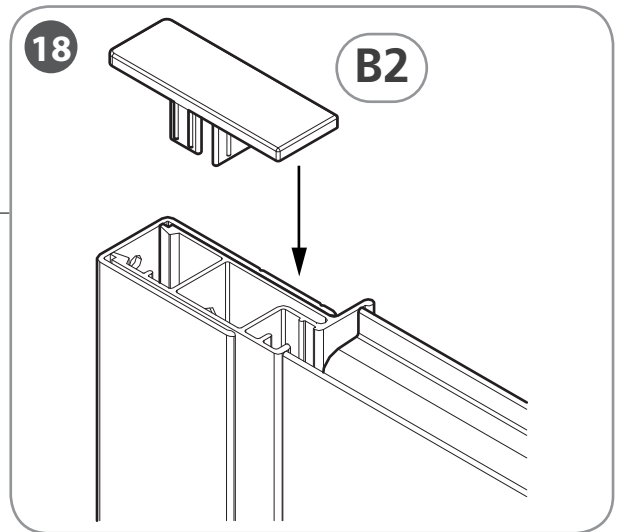
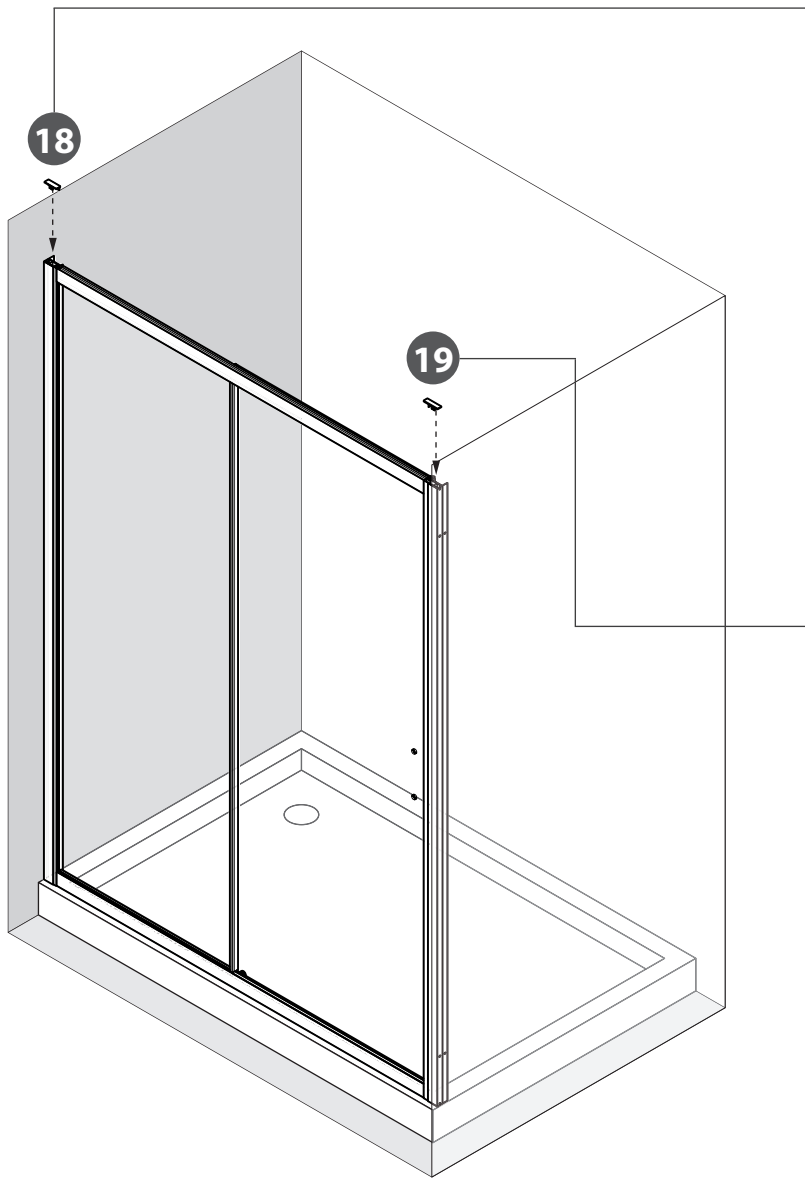
- C1**  x2
- C2**  x2  
4X35 mm
- C6**  x2



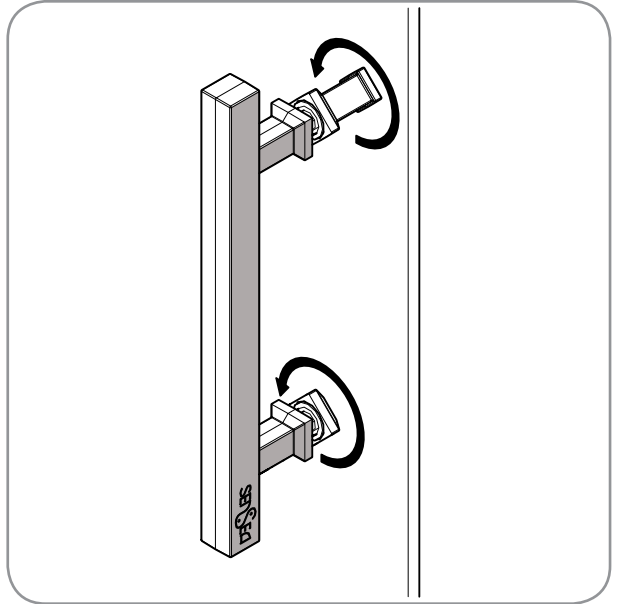
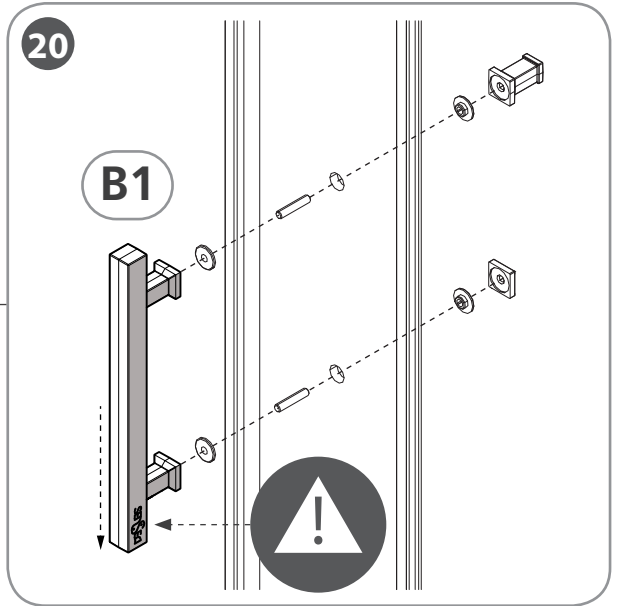
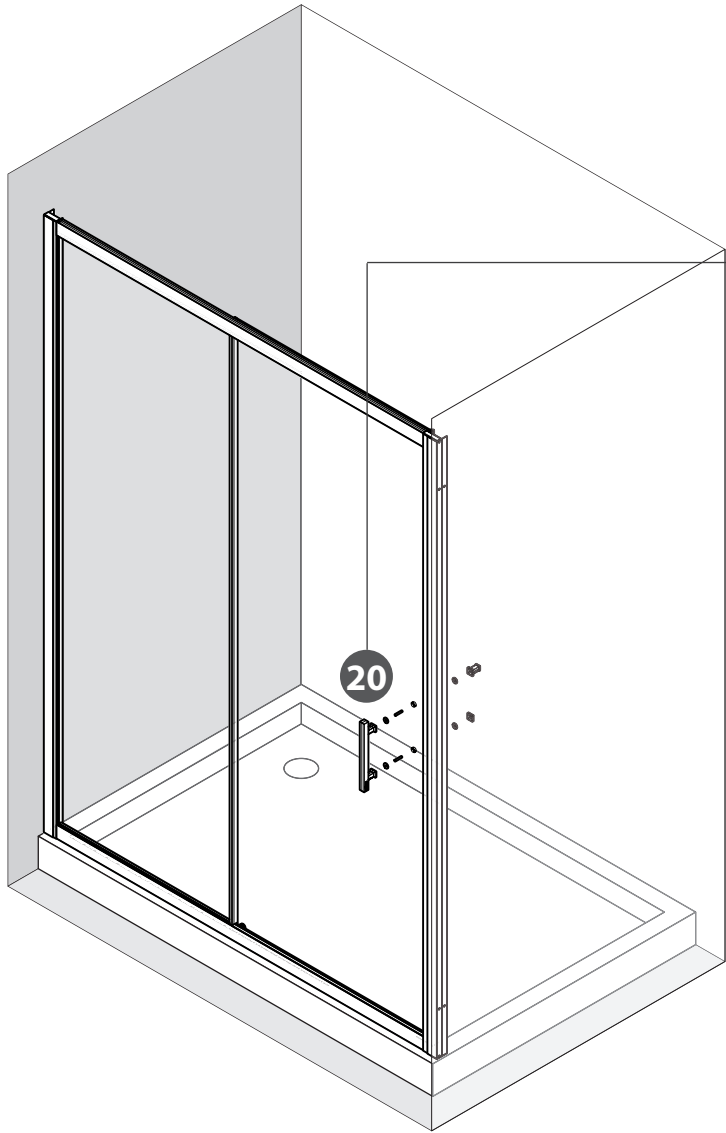












B1

