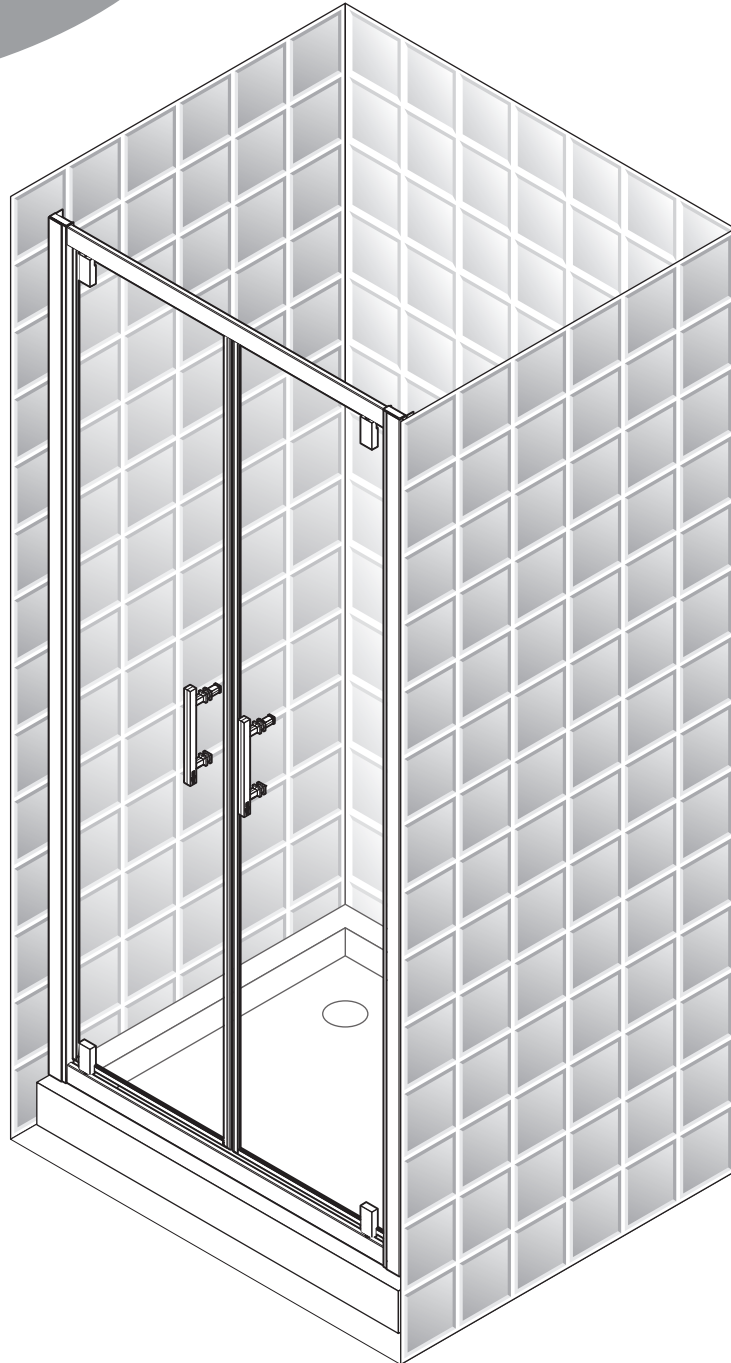
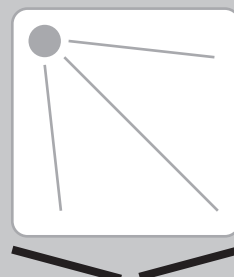


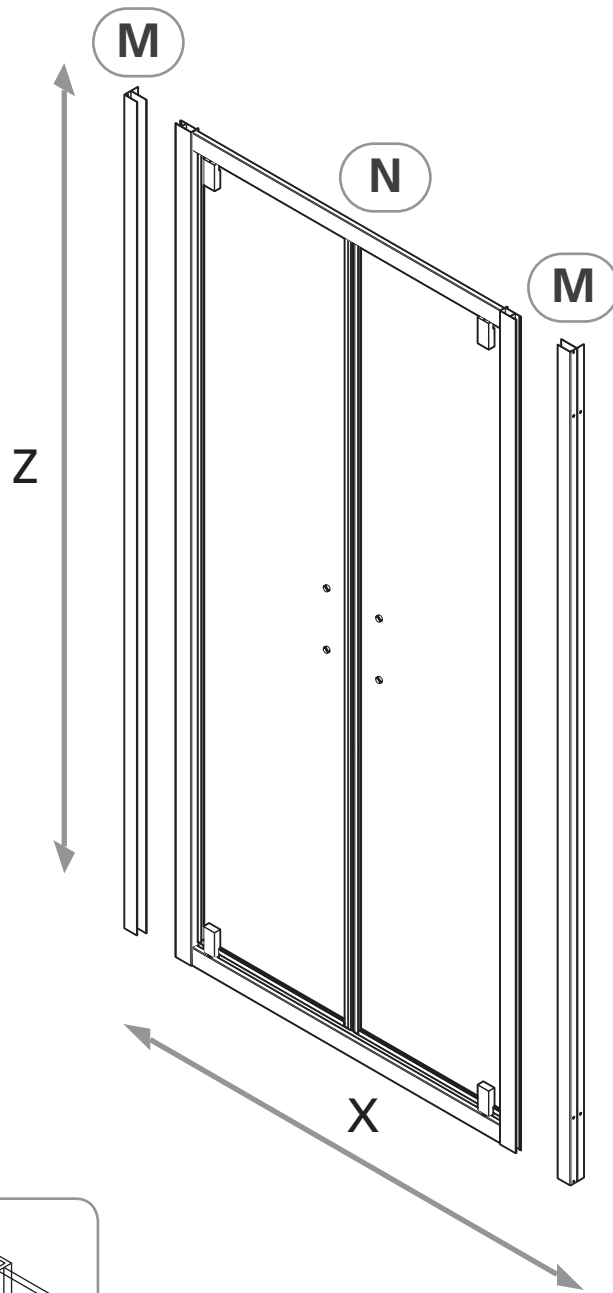


# ELYT - B

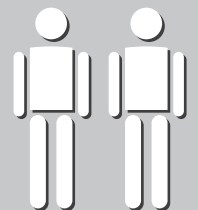
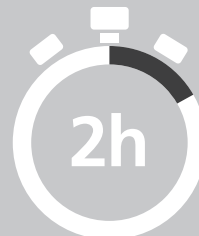


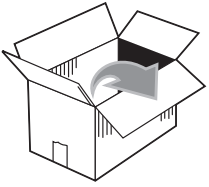
- ELYTB66
- ELYTB72
- ELYTB78
- ELYTB84
- ELYTB90
- ELYTB96



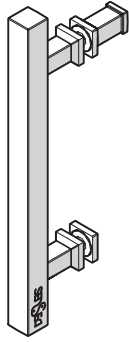


ELYTB66	X=66-72 cm	Z=190 cm
ELYTB72	X=72-78 cm	Z=190 cm
ELYTB78	X=78-84 cm	Z=190 cm
ELYTB84	X=84-90 cm	Z=190 cm
ELYTB90	X=90-96 cm	Z=190 cm
ELYTB96	X=96-102 cm	Z=190 cm

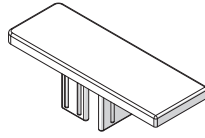




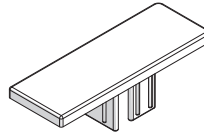
**B1** x2



**B2**

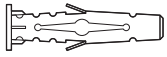


**B3**



**C1**

x4



**C2**

x4



4X35 mm

**C5**

x4



3,5x9,5 mm

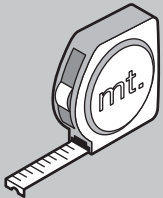
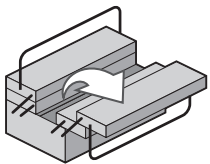
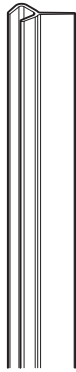
**C6**

x7



**D1**

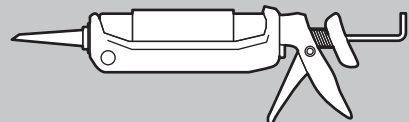
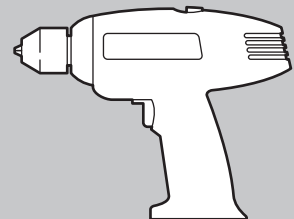
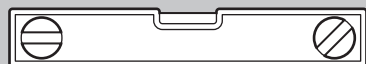
x2



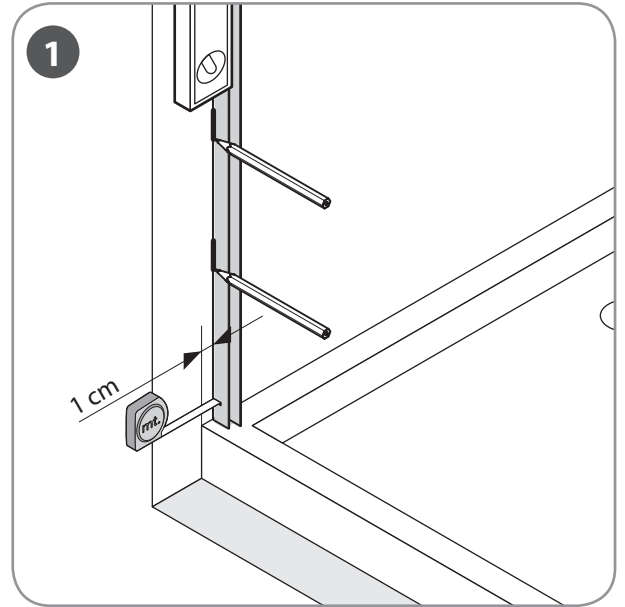
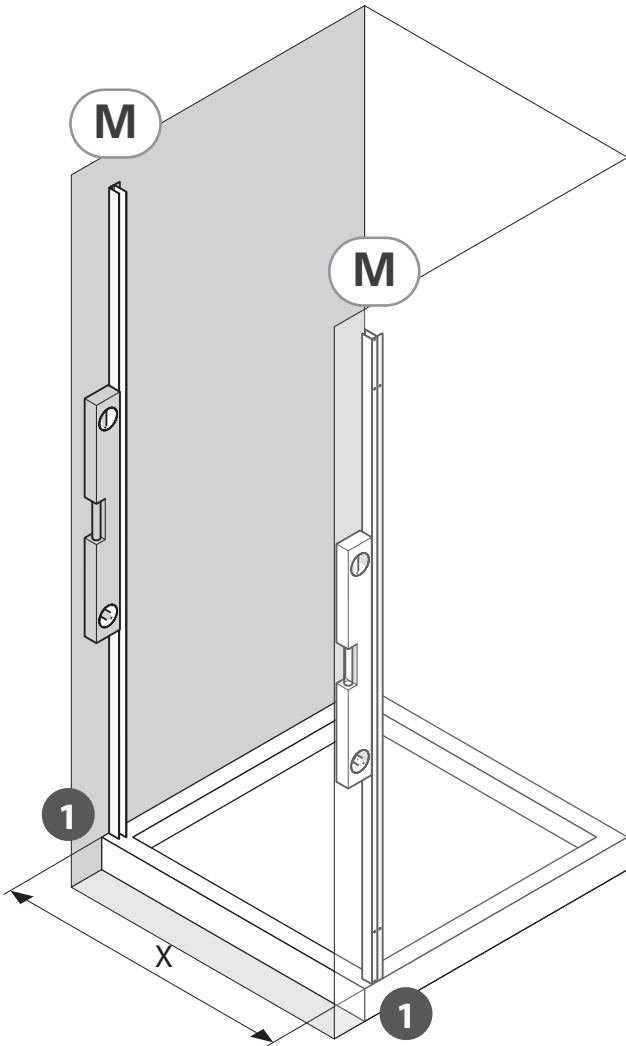
ø6 mm



ø3 mm



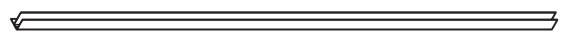
1



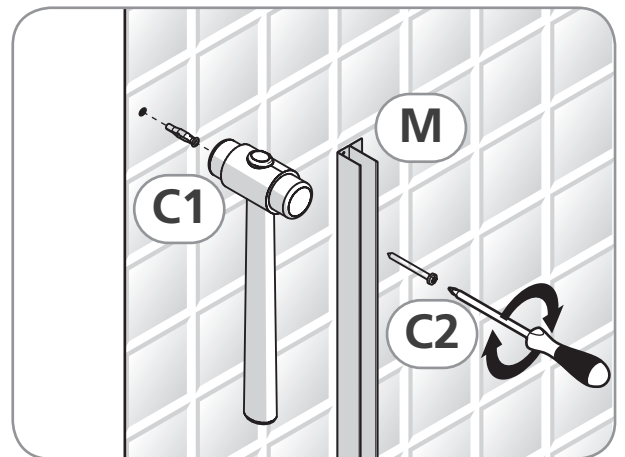
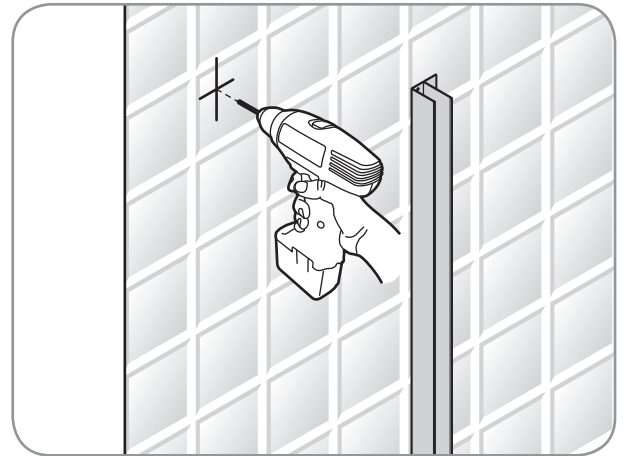
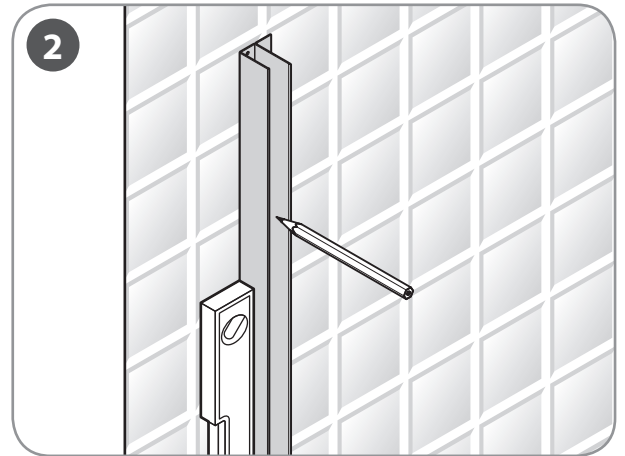
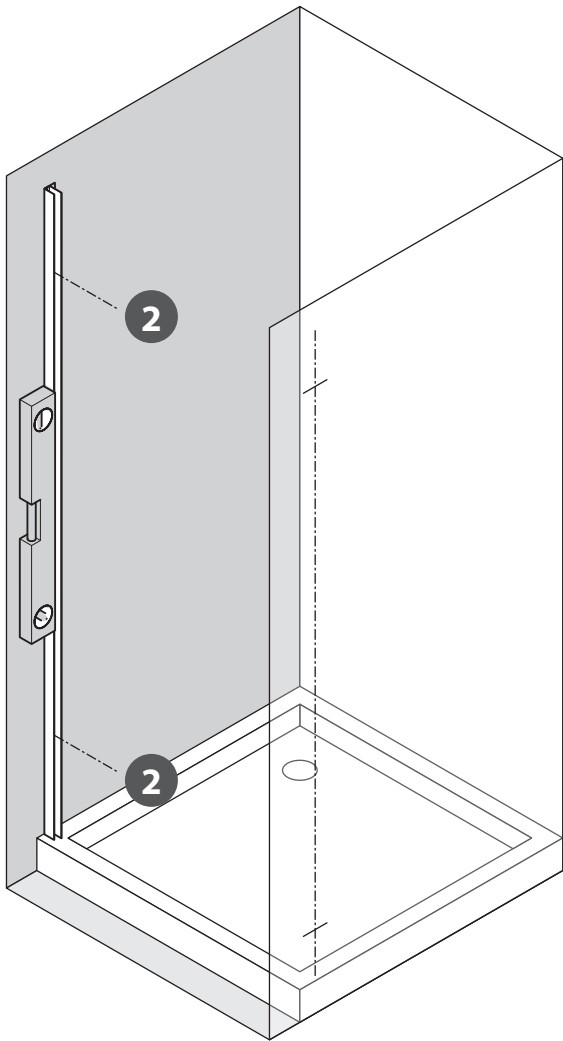
- |         |             |
|---------|-------------|
| ELYTB66 | X=66-72 cm  |
| ELYTB72 | X=72-78 cm  |
| ELYTB78 | X=78-84 cm  |
| ELYTB84 | X=84-90 cm  |
| ELYTB90 | X=90-96 cm  |
| ELYTB96 | X=96-102 cm |



M



x2



ø6 mm



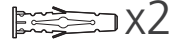
C2

x2



4X35 mm

C1



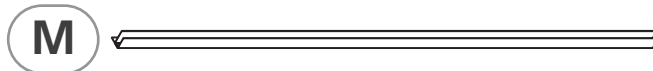
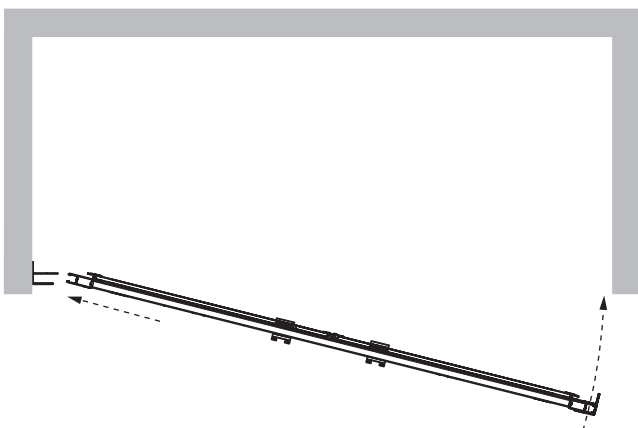
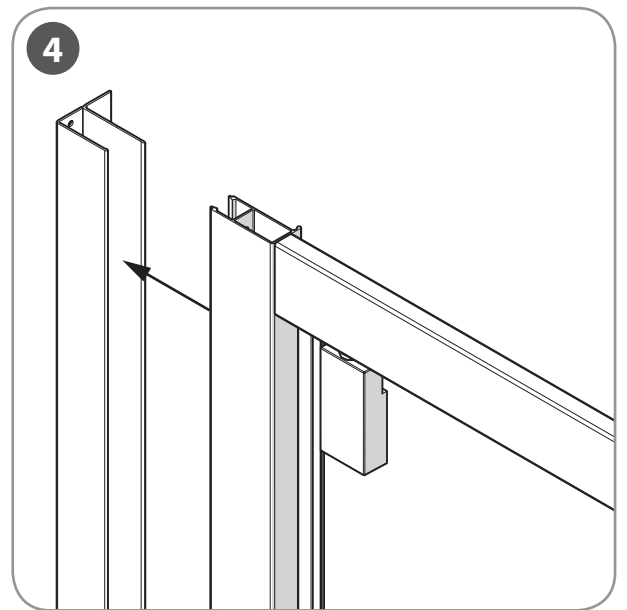
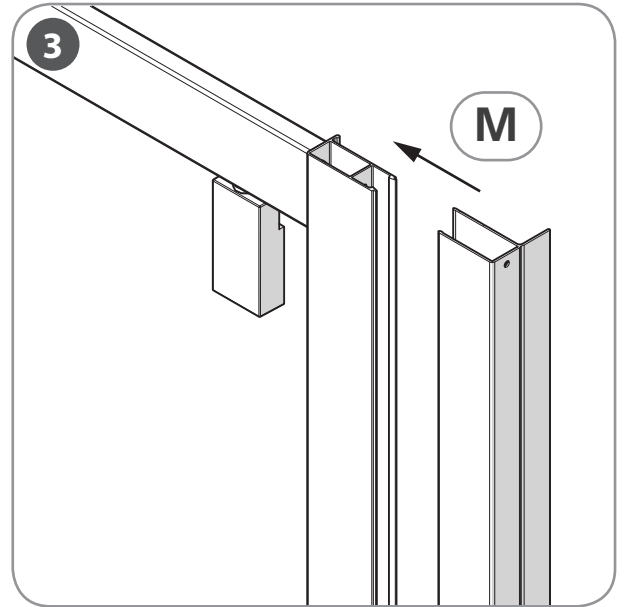
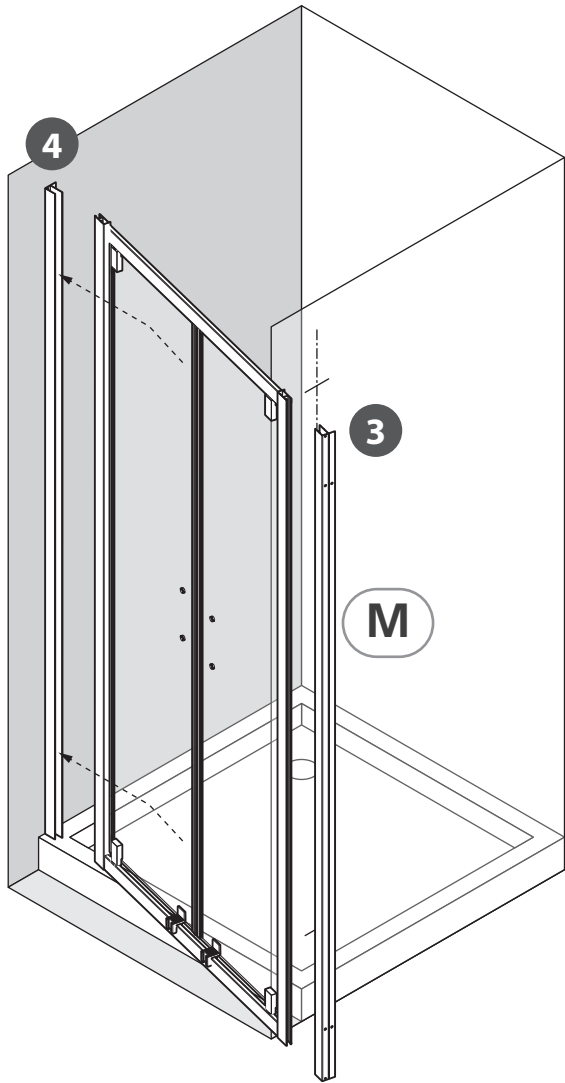
x2

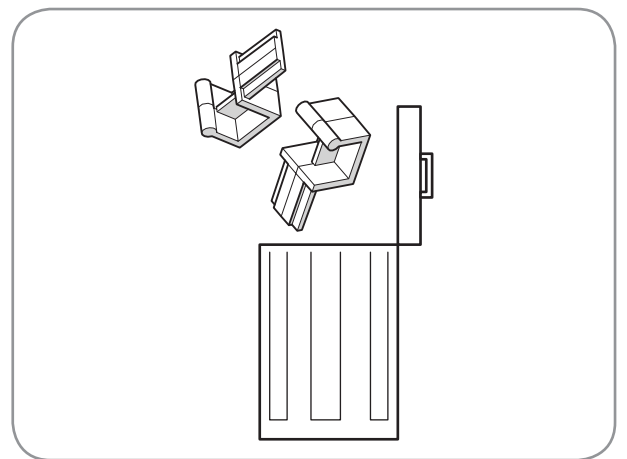
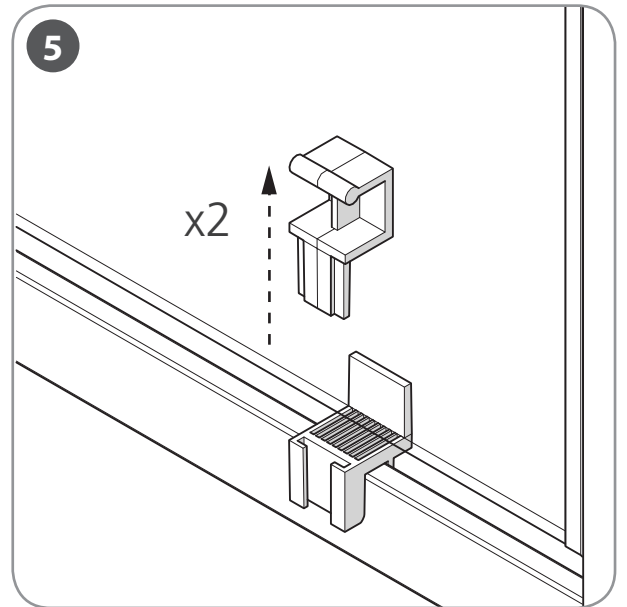
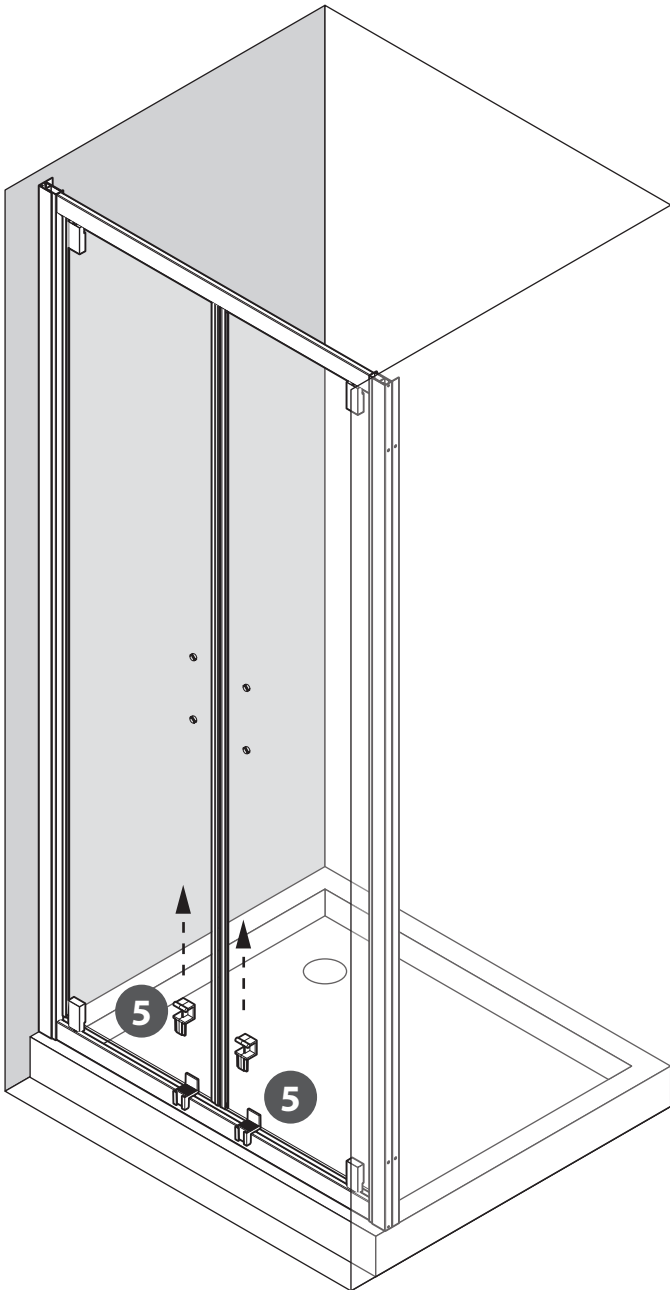
M

C1

C2

3



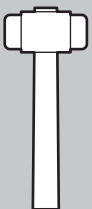
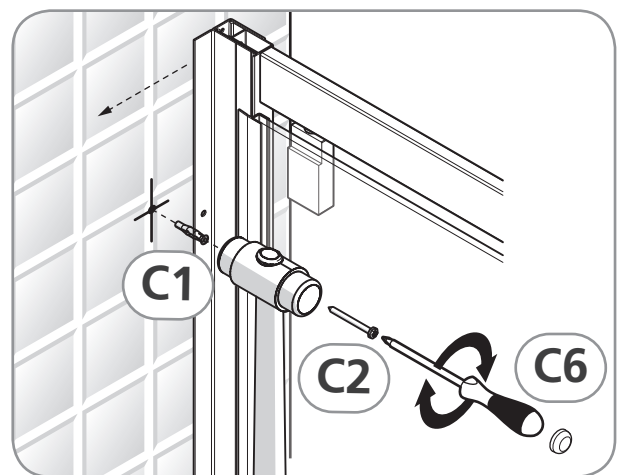
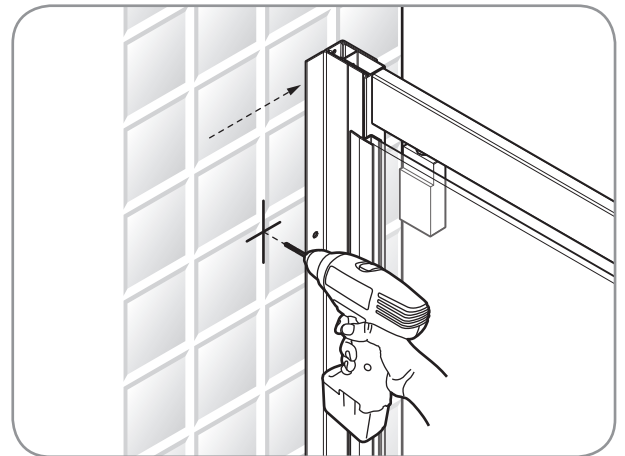
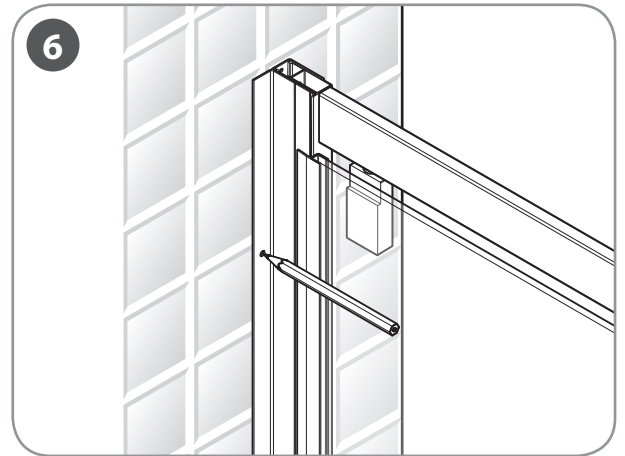
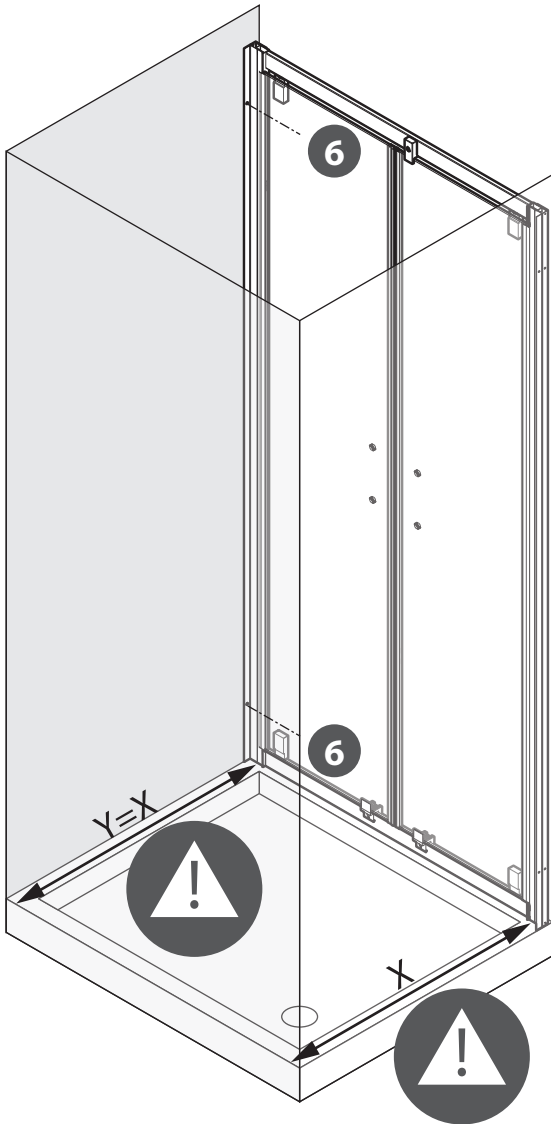


# 5



No!

OK

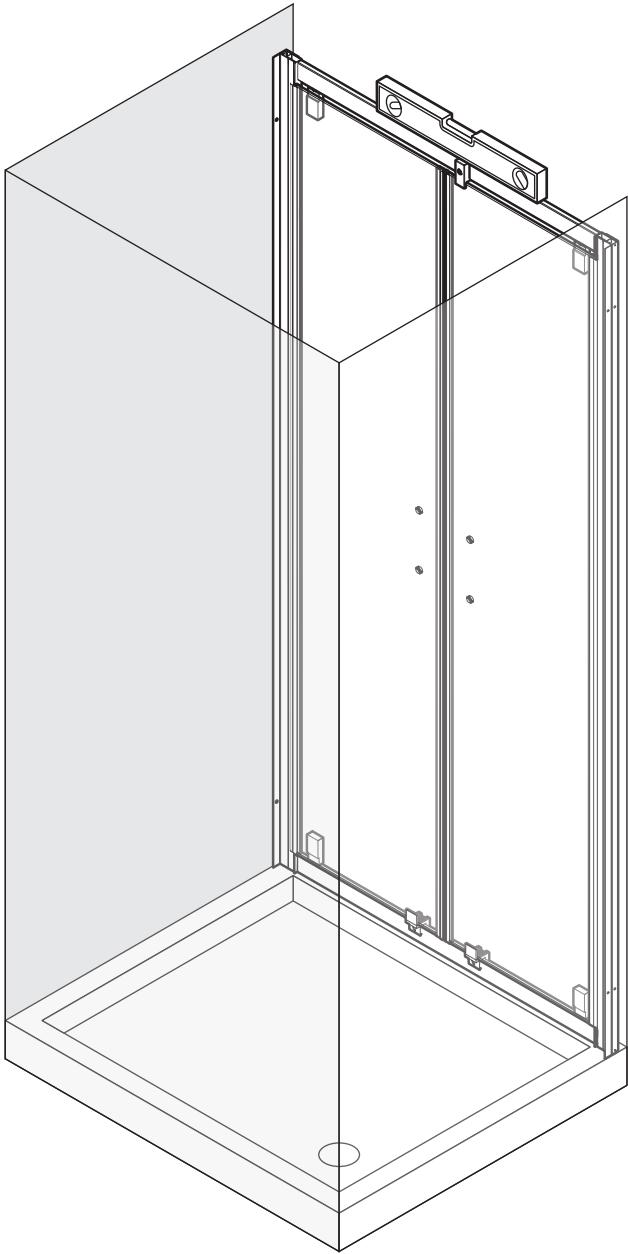


**C2** x2  
4X35 mm

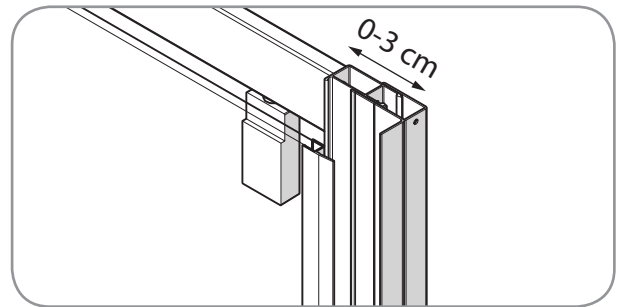
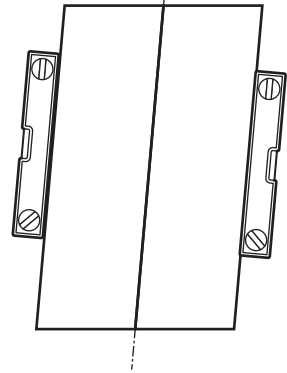
**C1** x2

**C6** x2

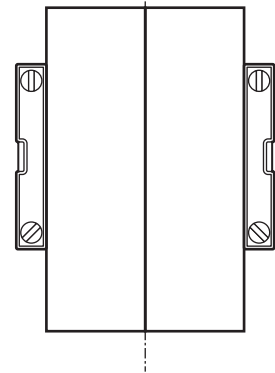




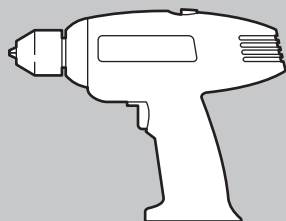
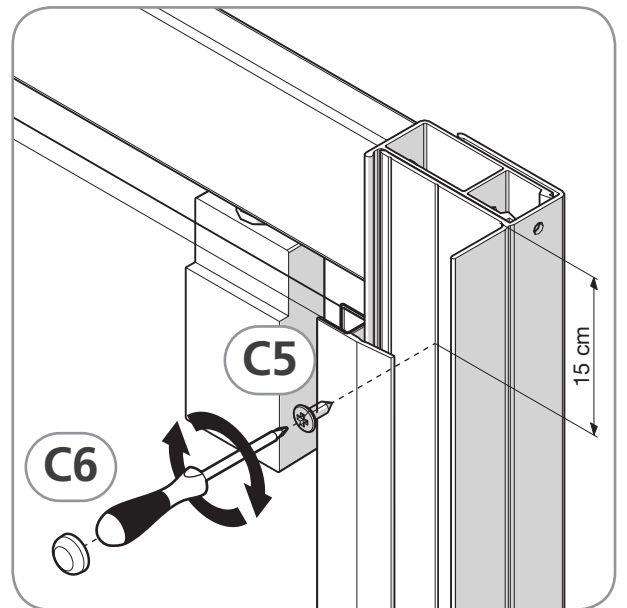
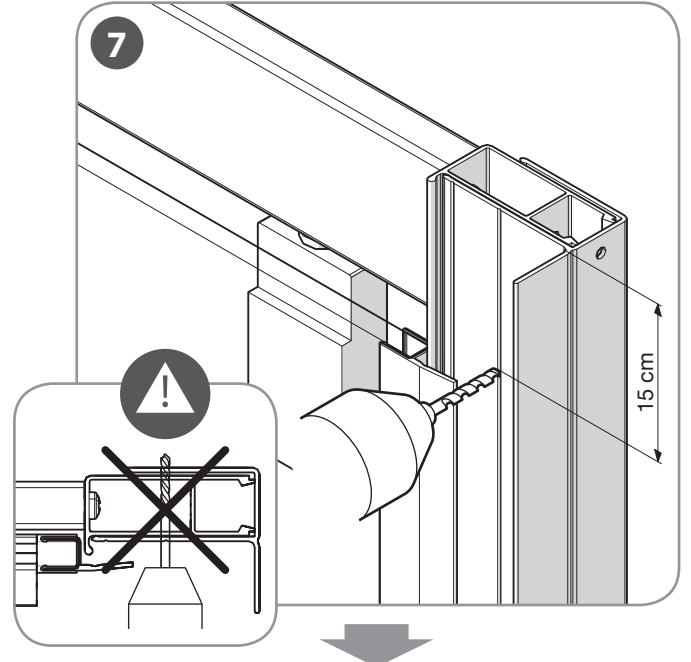
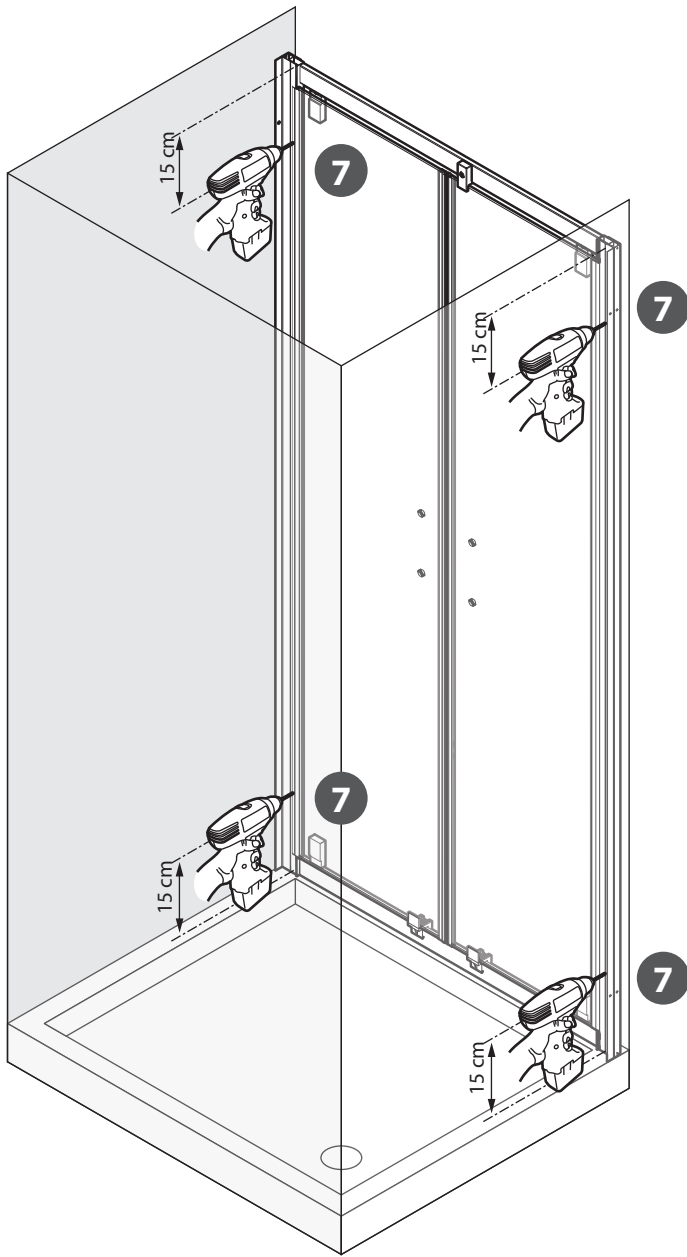
No!



OK



7



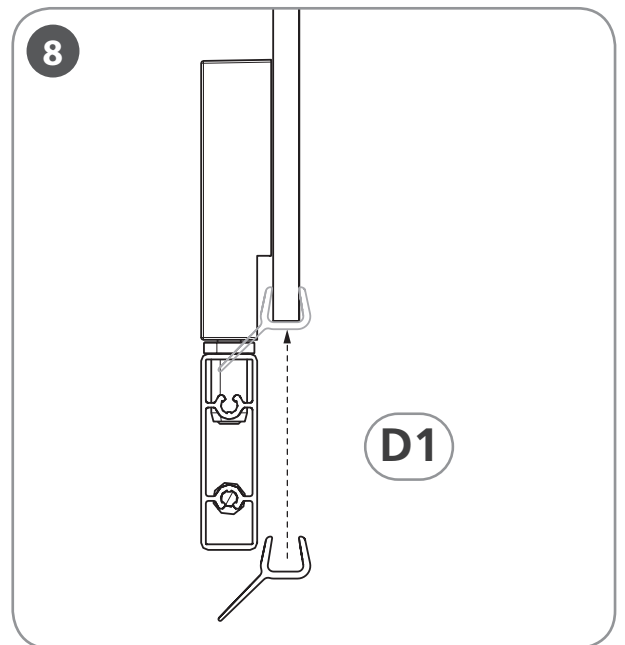
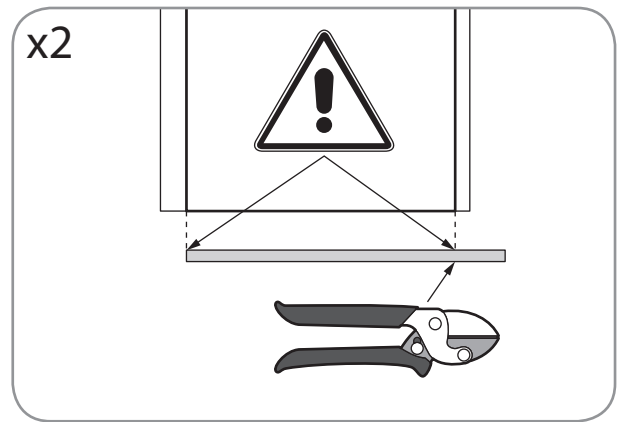
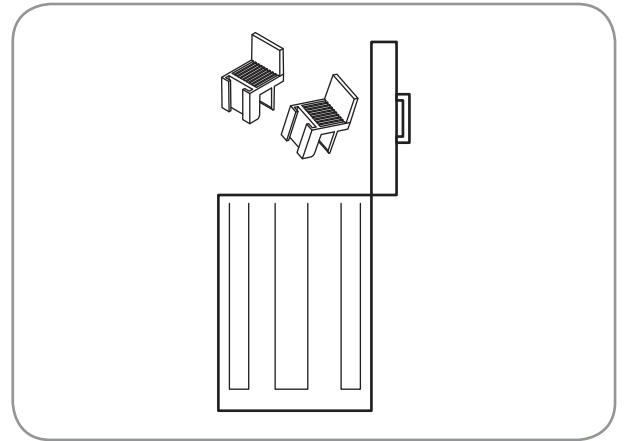
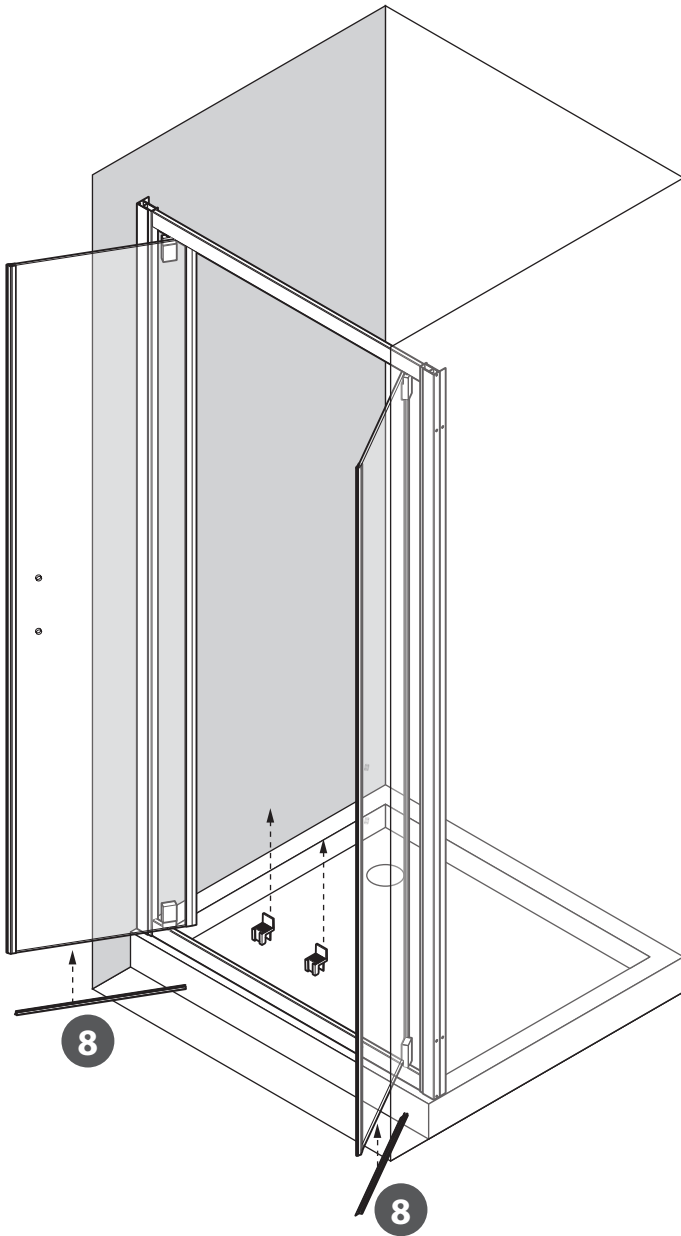
Ø3 mm



3,5x9,5 mm  
x4

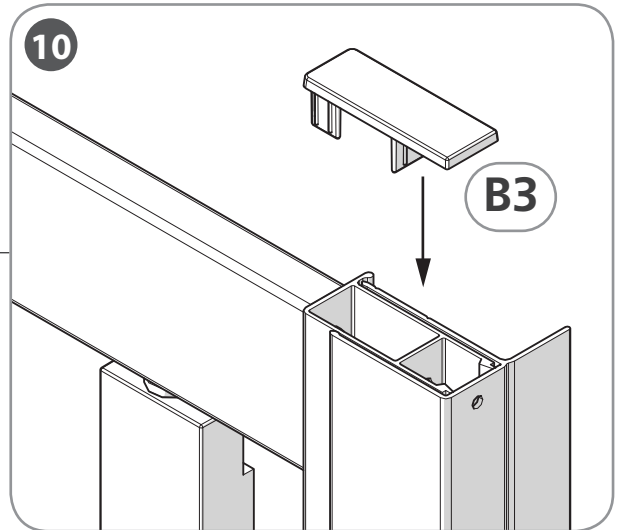
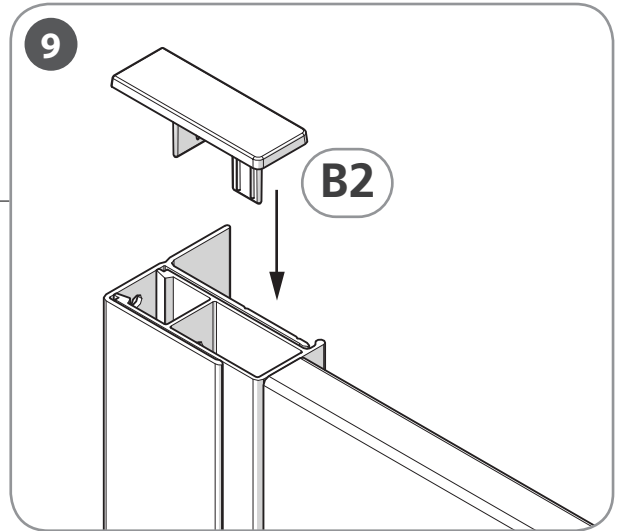
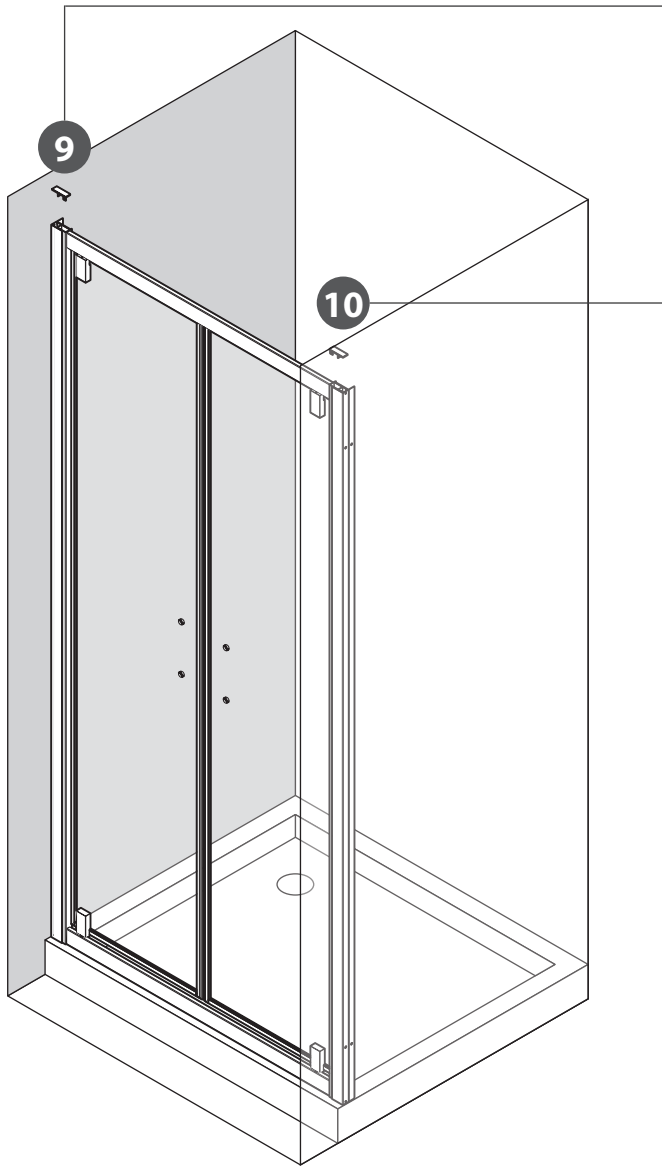


x4

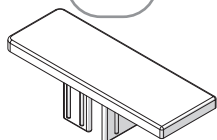


x2 D1





B2



B3

