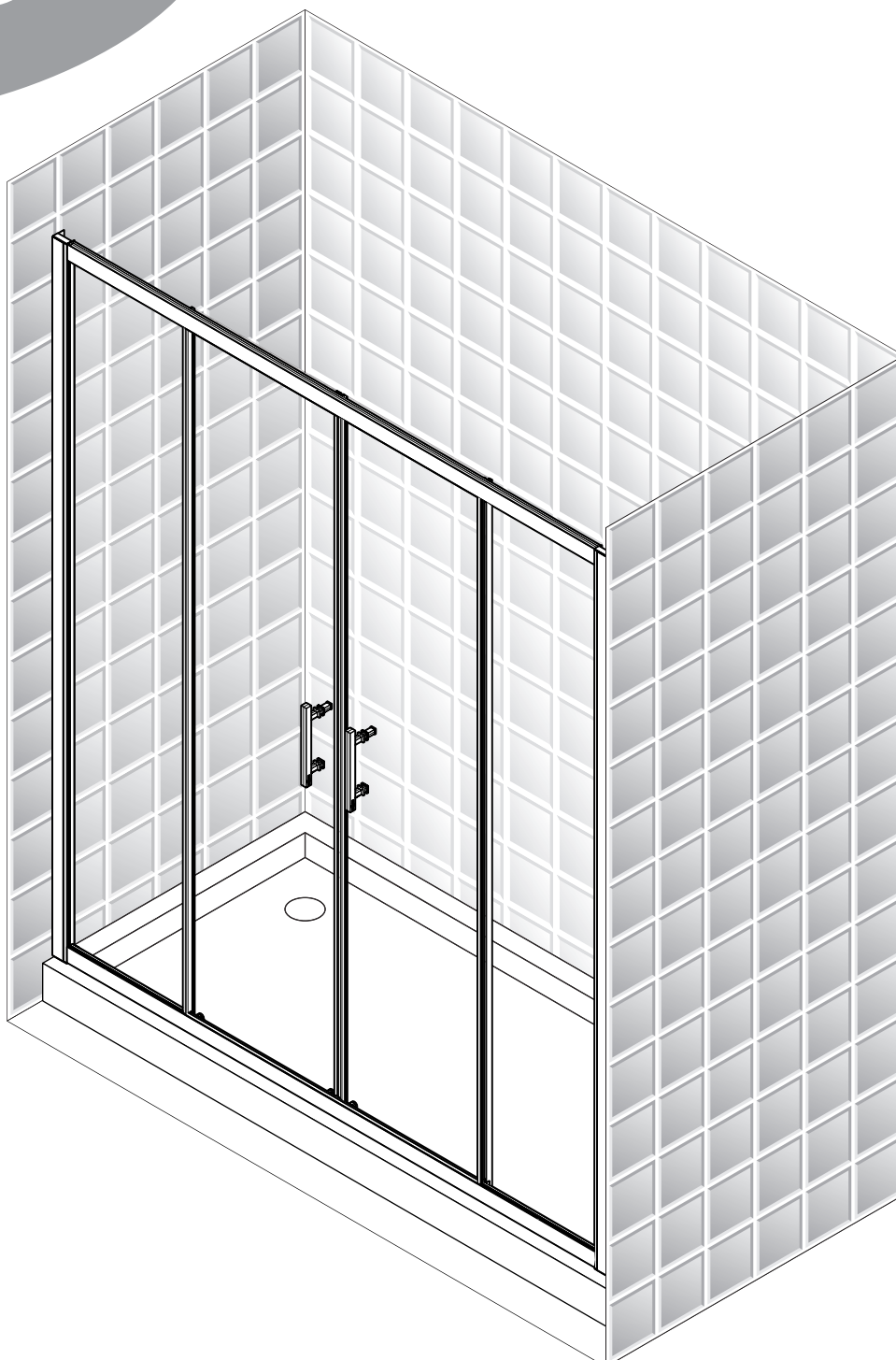
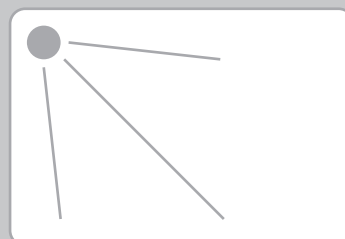


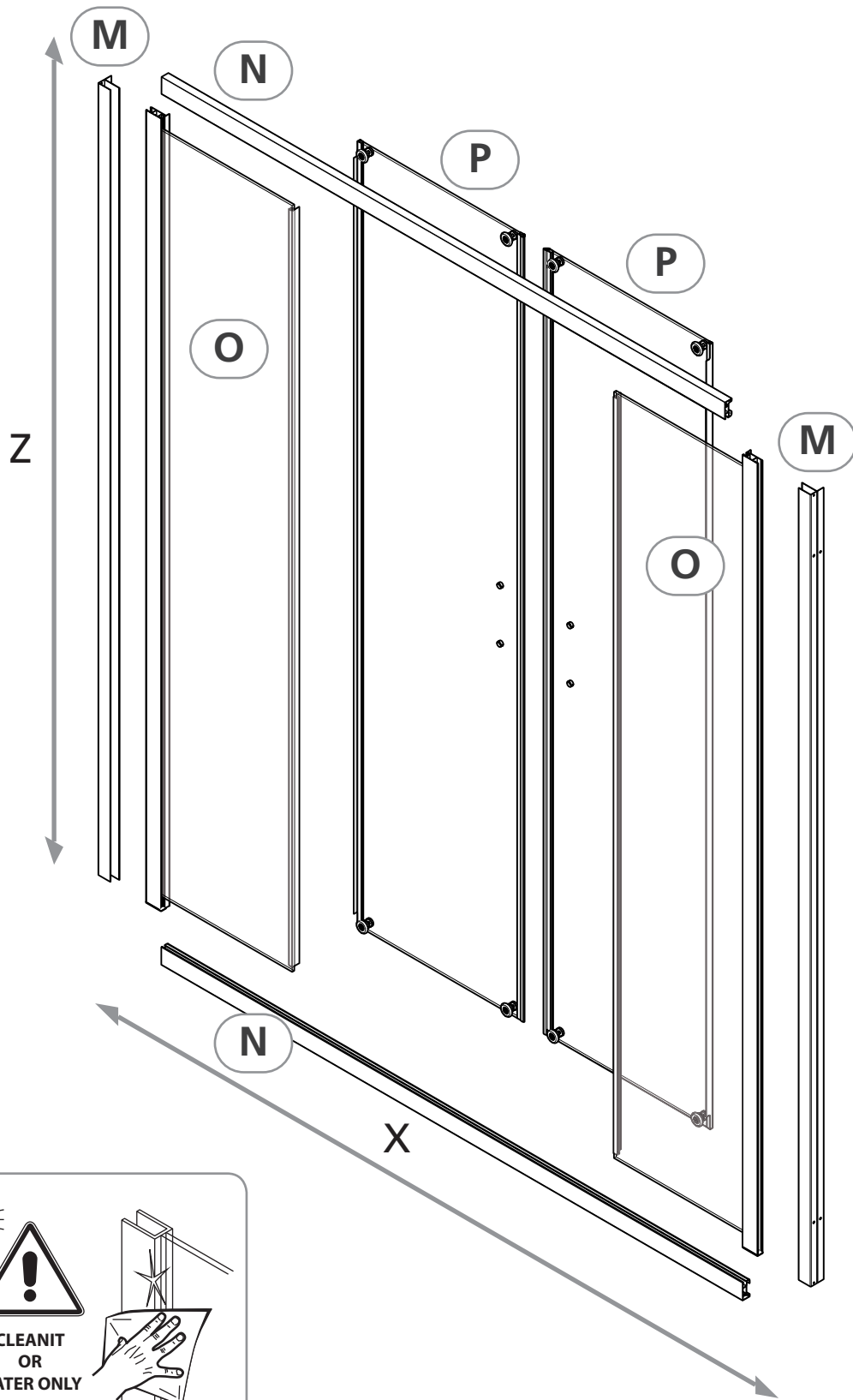


# ELYT - 2A

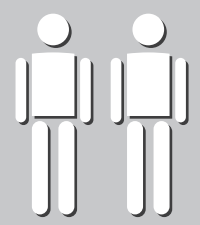


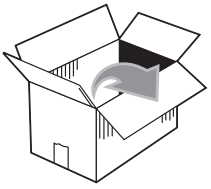
- ELYT2A146
- ELYT2A152
- ELYT2A158
- ELYT2A164
- ELYT2A170
- ELYT2A176



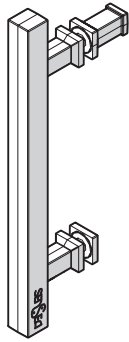


ELYT2A146	X=146-152 cm	Z=190 cm
ELYT2A152	X=152-158 cm	Z=190 cm
ELYT2A158	X=158-164 cm	Z=190 cm
ELYT2A164	X=164-170 cm	Z=190 cm
ELYT2A170	X=170-176 cm	Z=190 cm
ELYT2A176	X=176-182 cm	Z=190 cm

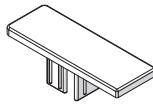




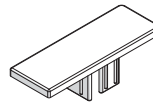
**B1** x2



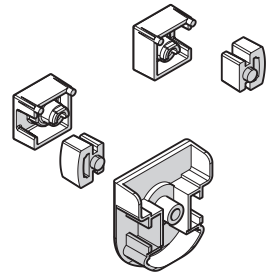
**B2**



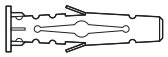
**B3**



**B4**



**C1** x4



**C2** x4



4X35 mm

**C3** x4



3,5x45 mm

**C5** x4

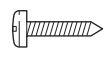


3,5x9,5 mm

**C6** x6

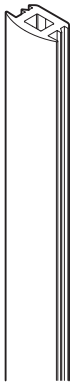


**C7** x6

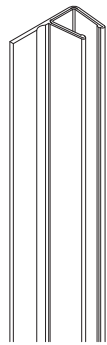


3,5x13 mm

**D1** x2

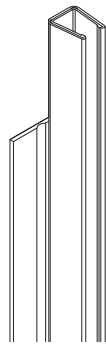


**D2** x2



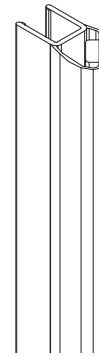
h 1815 mm

x2



h 1884 mm

**D3**



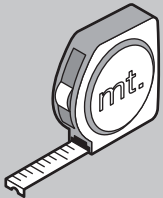
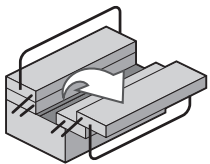
h 1883 mm

x2

**D4**



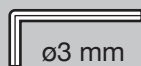
x4



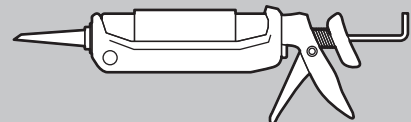
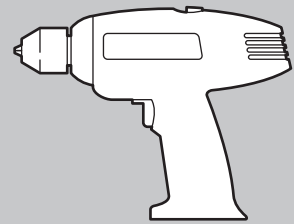
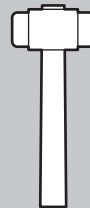
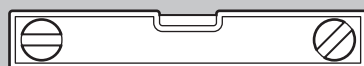
ø6 mm



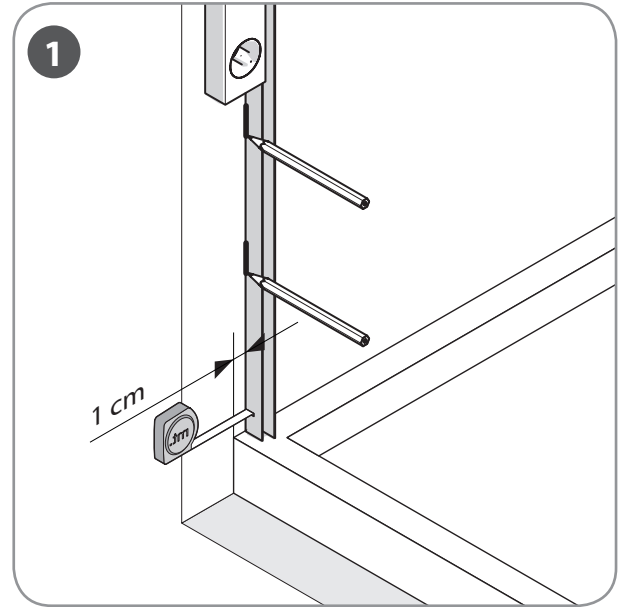
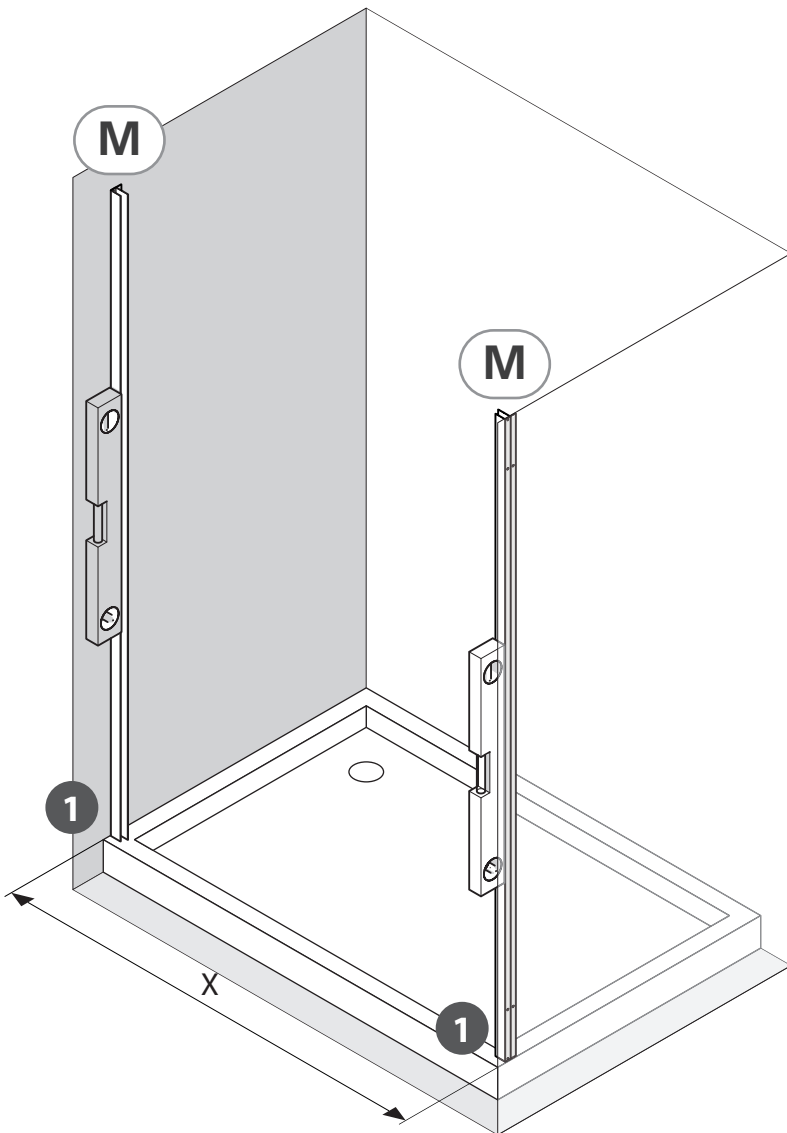
ø3 mm



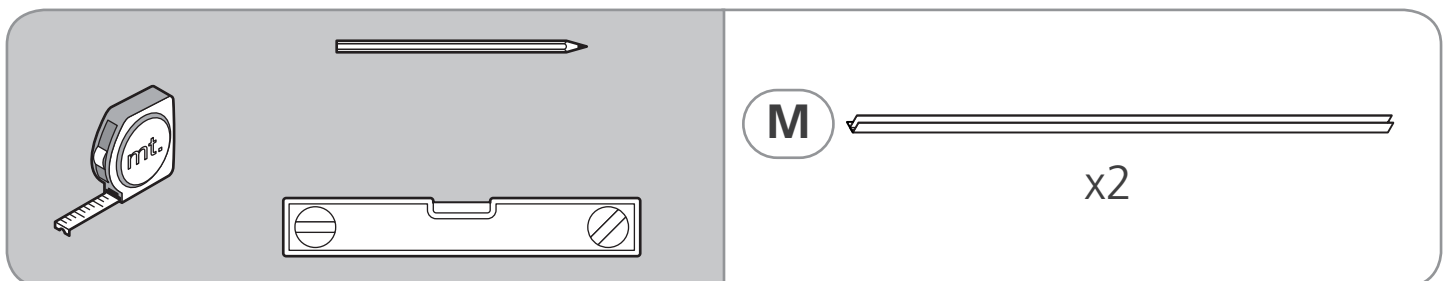
ø3 mm

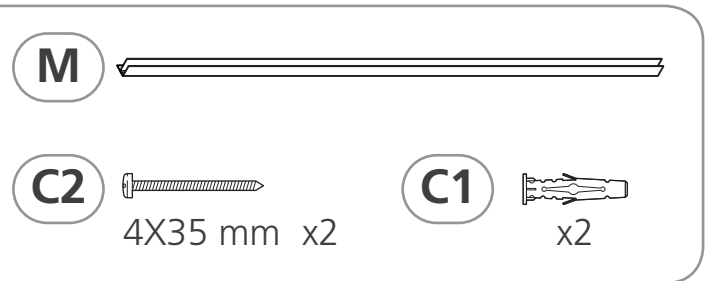
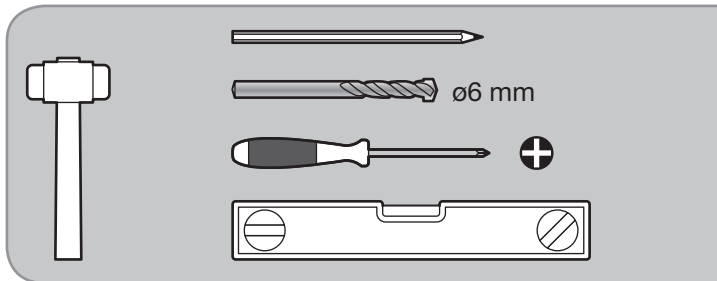
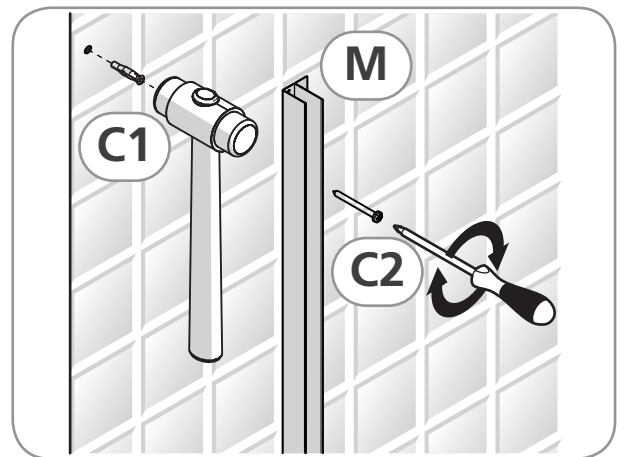
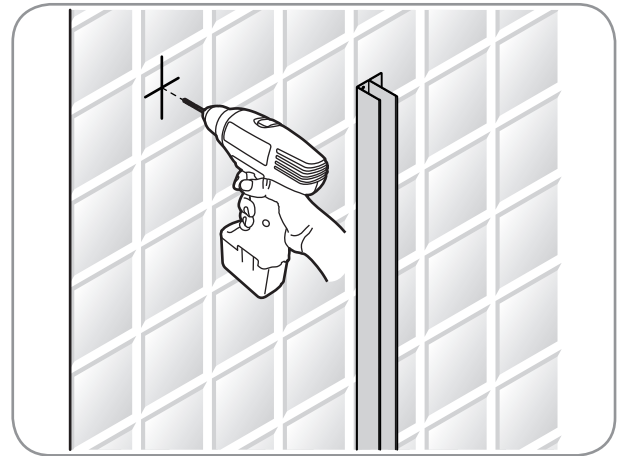
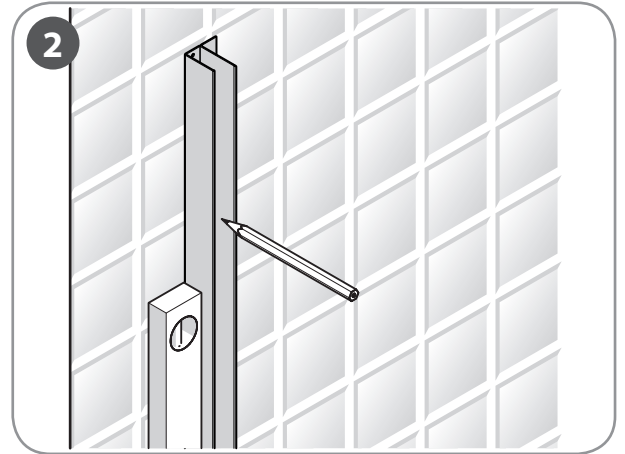
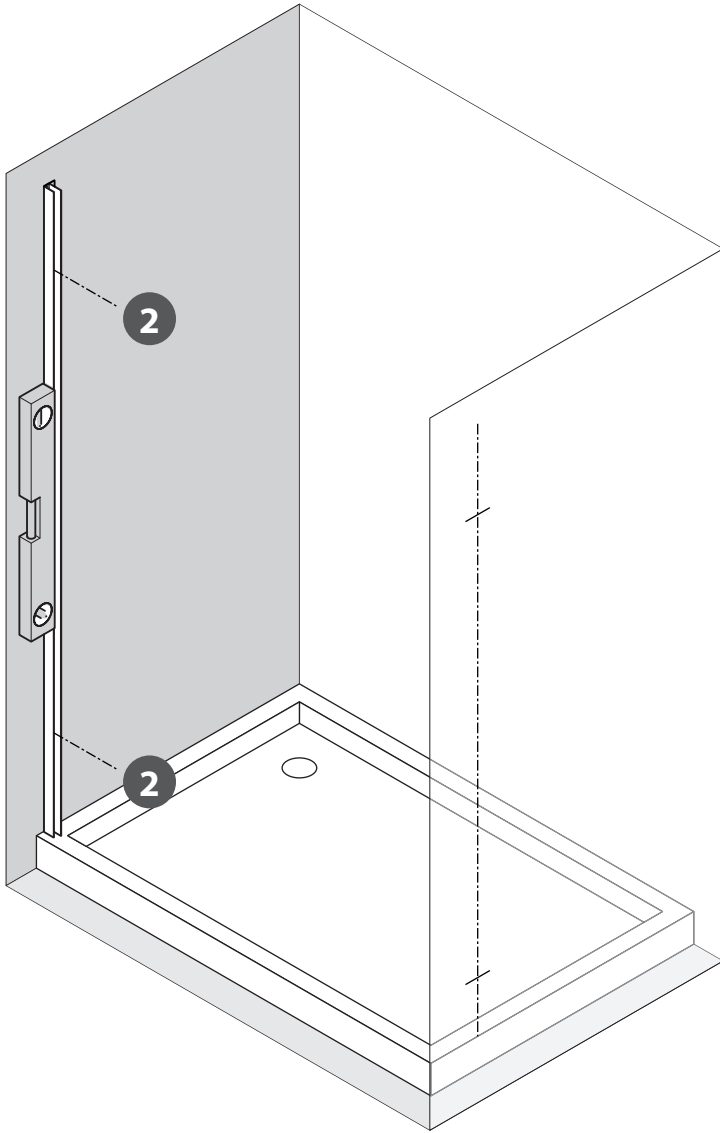


1

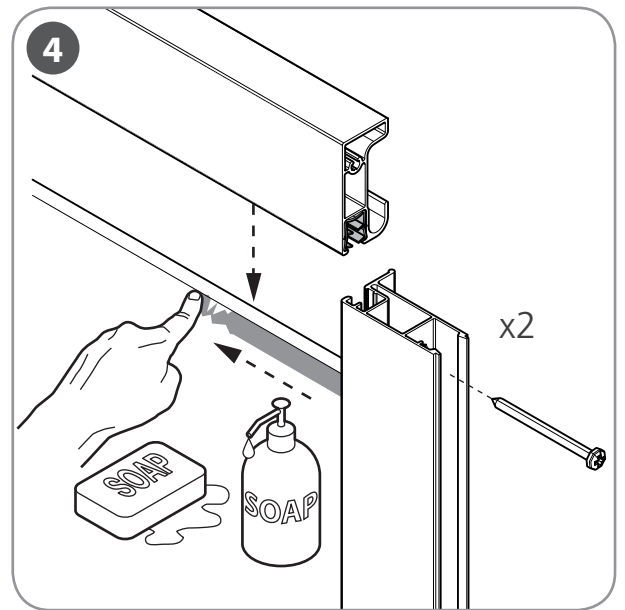
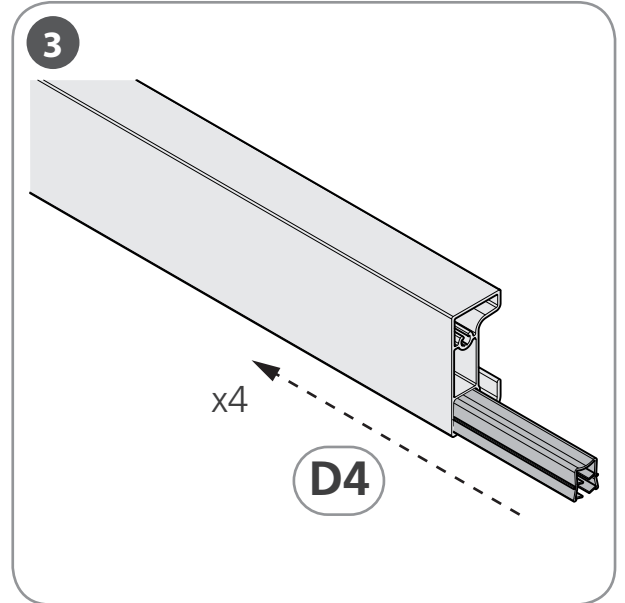
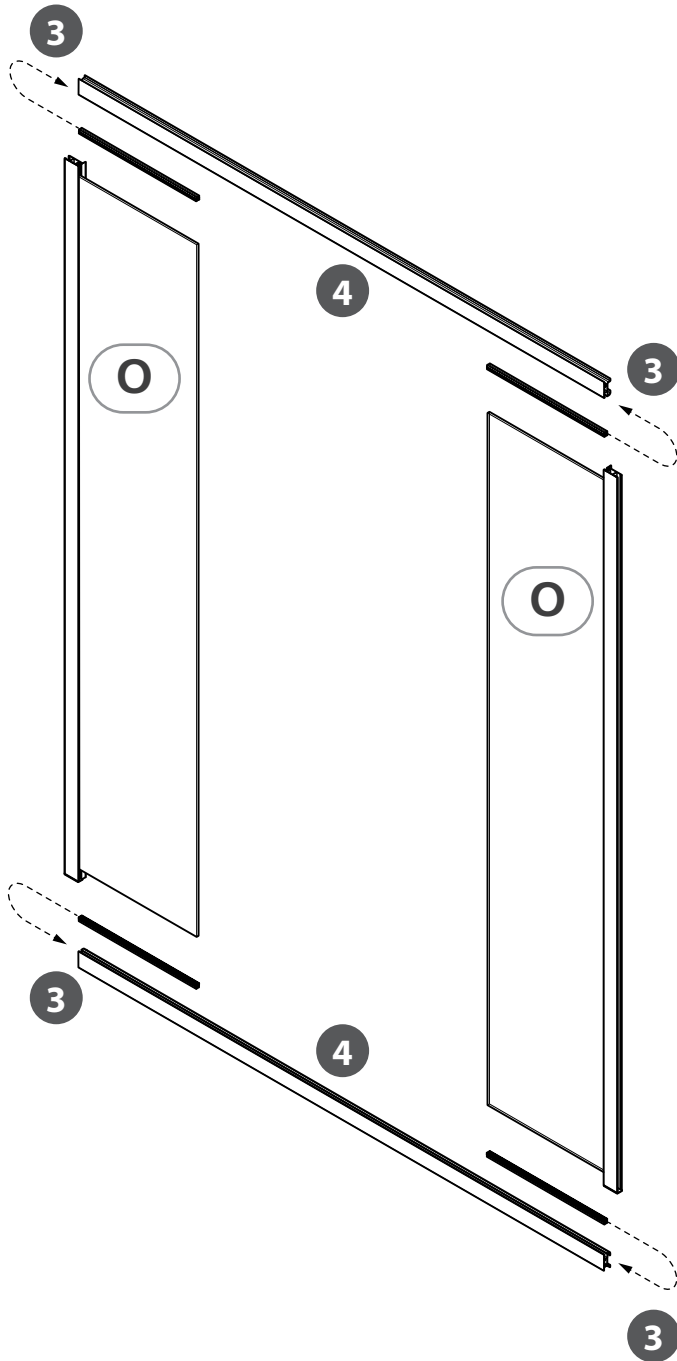


- ELYT2A146 X=146-152 cm
- ELYT2A152 X=152-158 cm
- ELYT2A158 X=158-164 cm
- ELYT2A164 X=164-170 cm
- ELYT2A170 X=170-176 cm
- ELYT2A176 X=176-182 cm





3

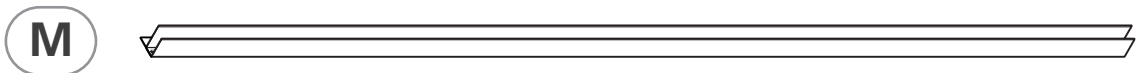
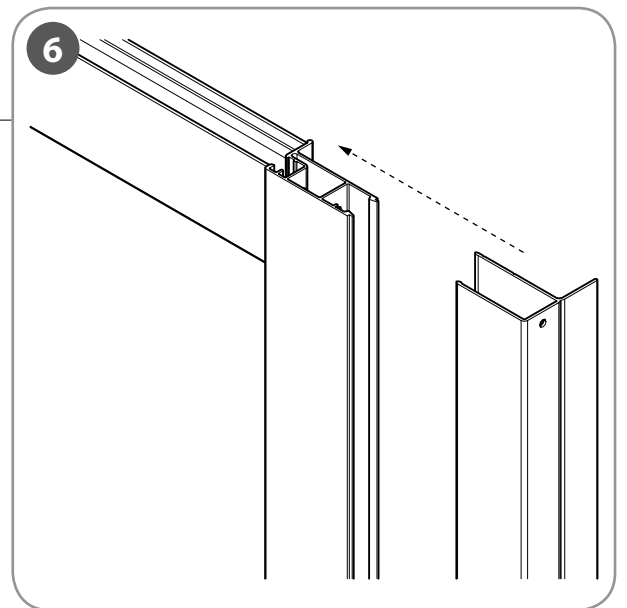
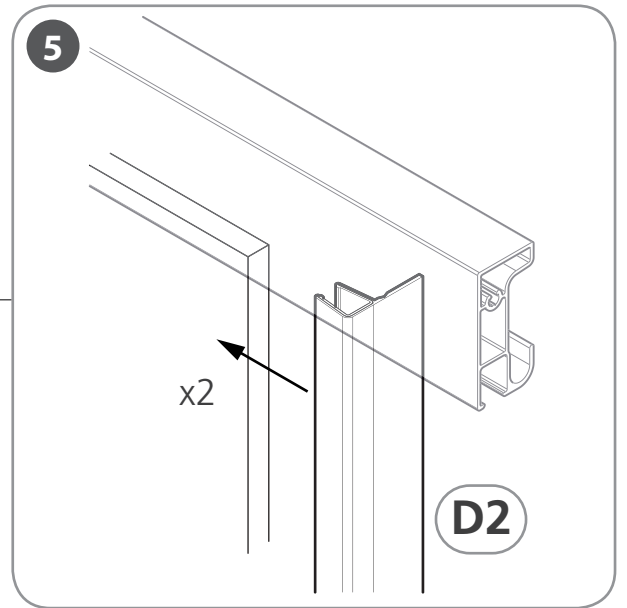
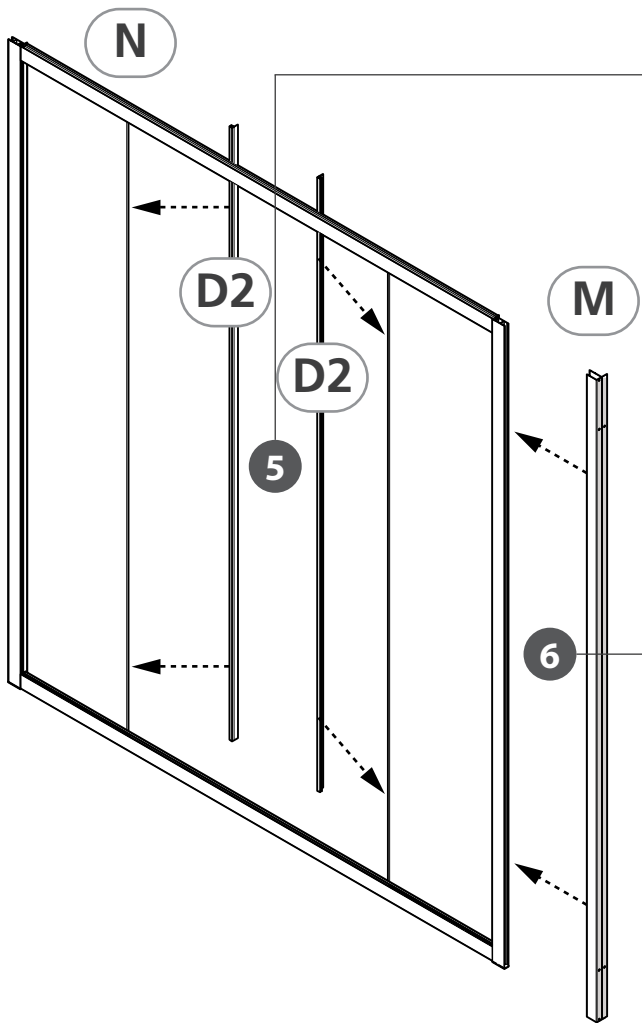


D4 x4



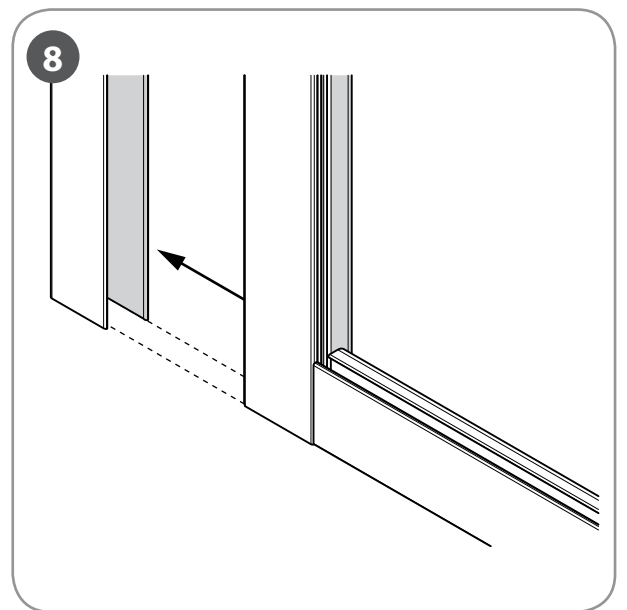
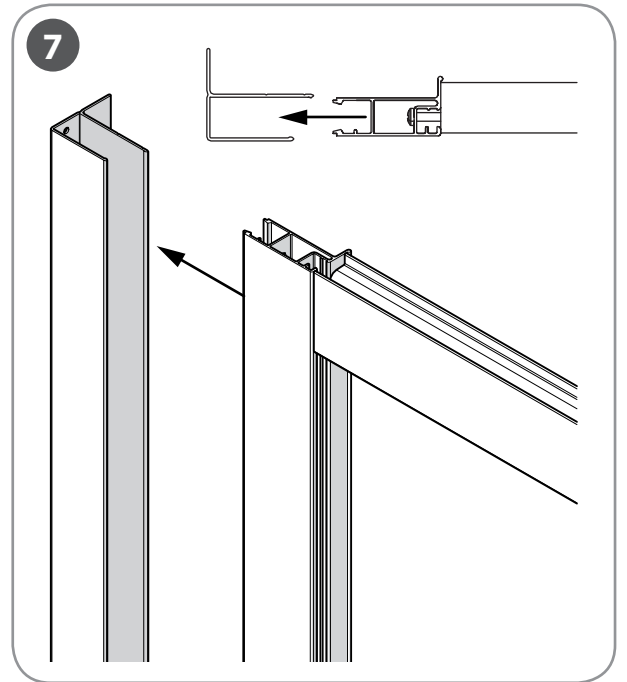
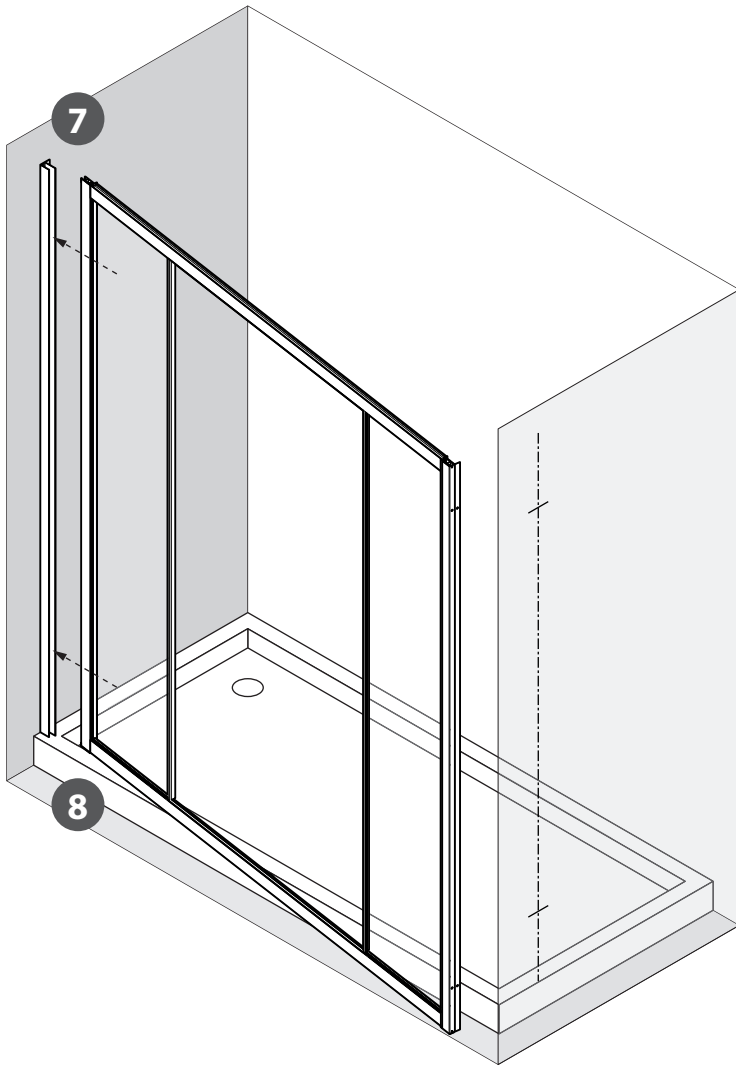
C2 3,5X45 mm x4



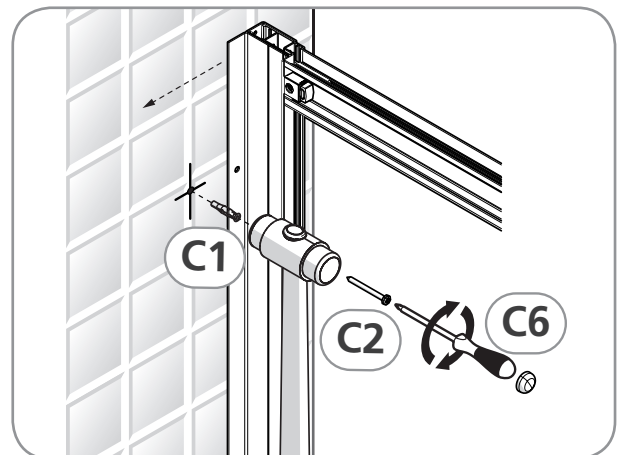
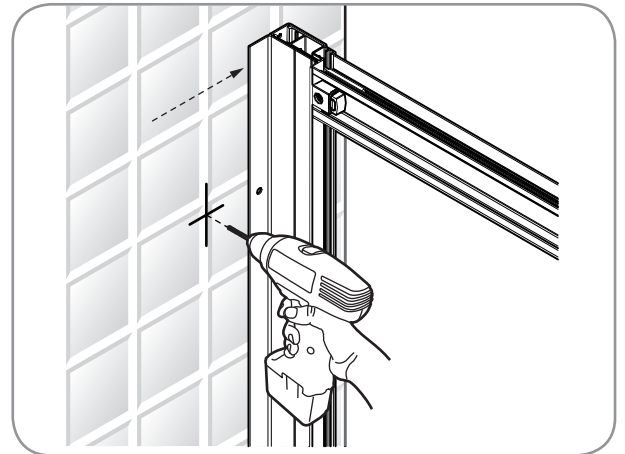
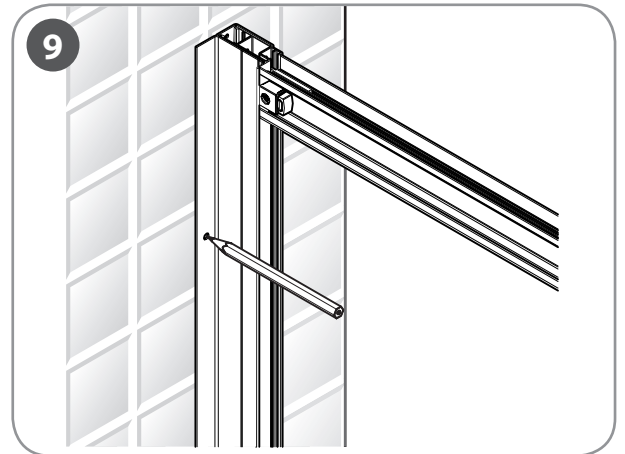
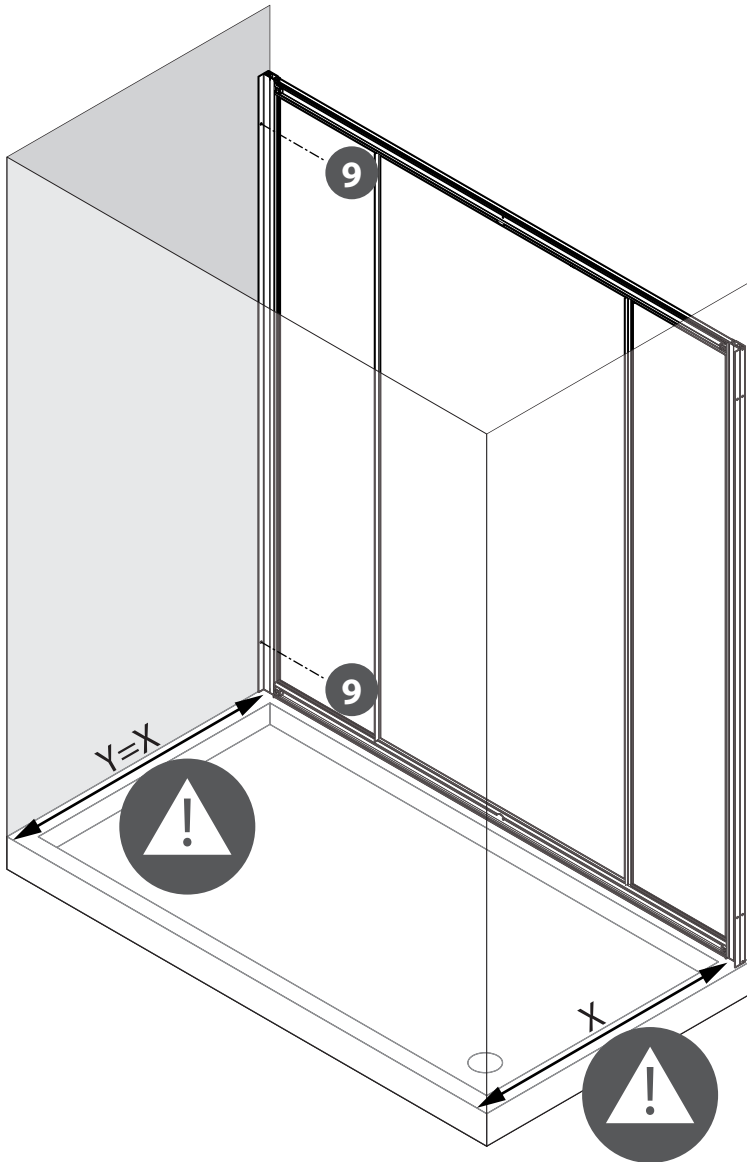
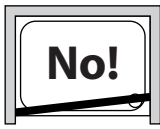


x2 h 1815 mm

5



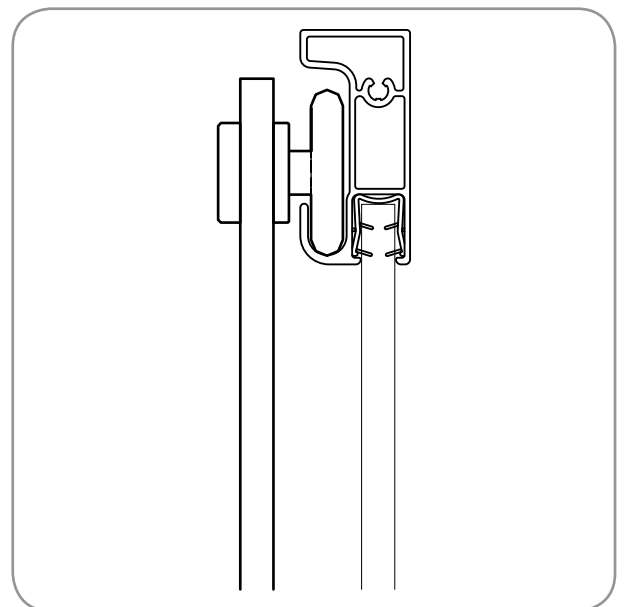
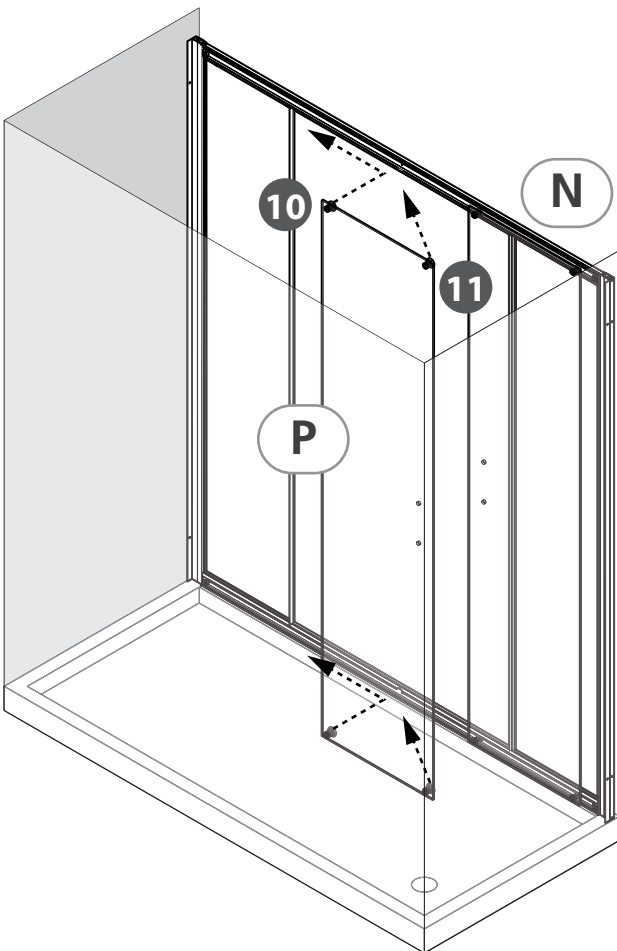
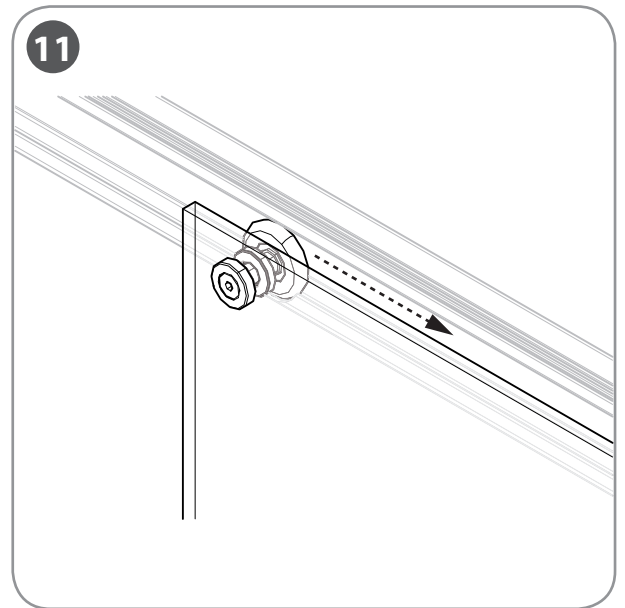
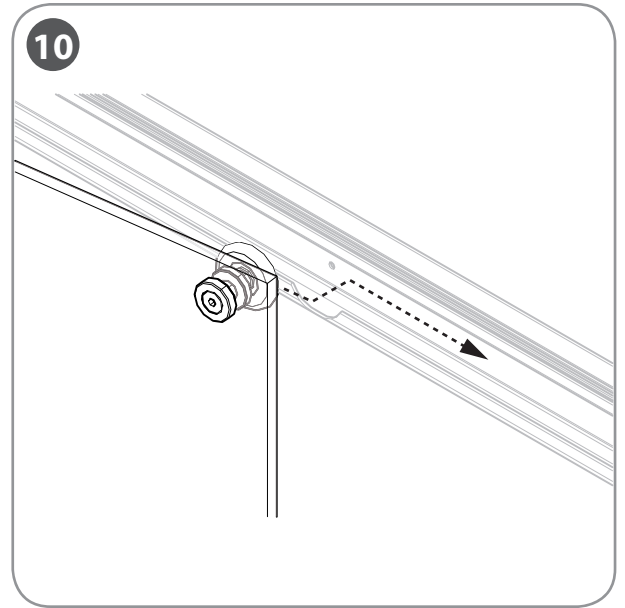
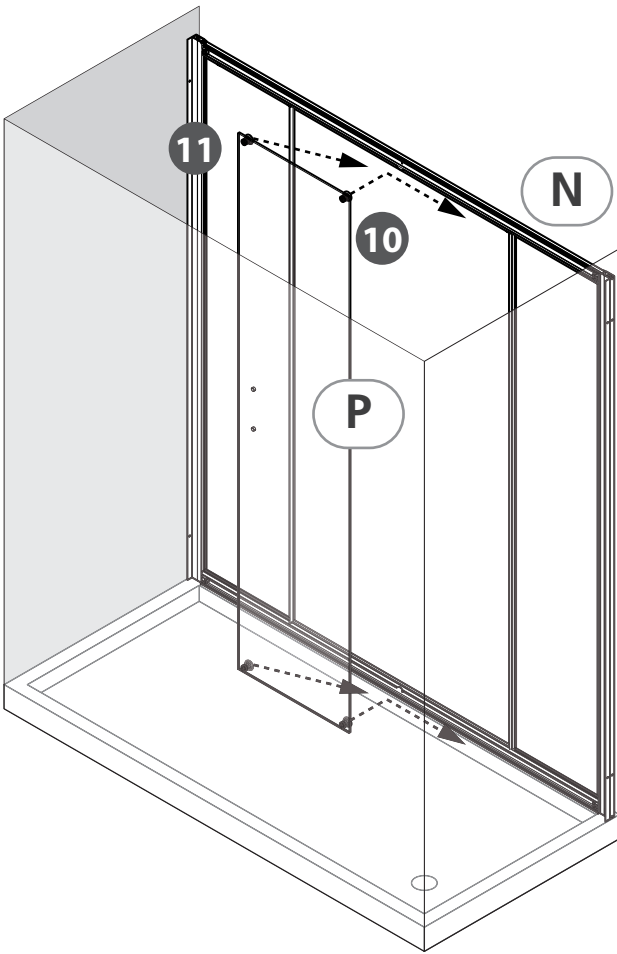


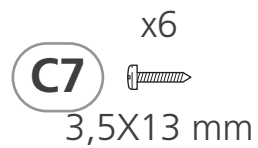
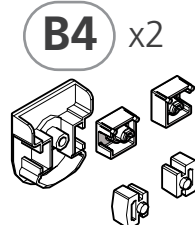
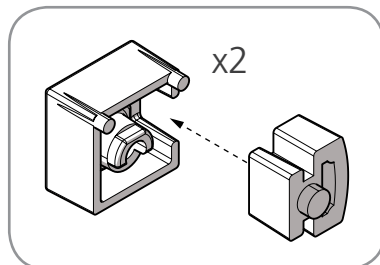
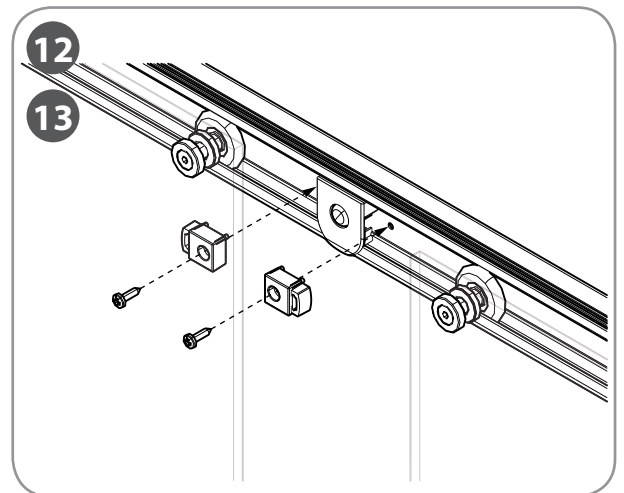
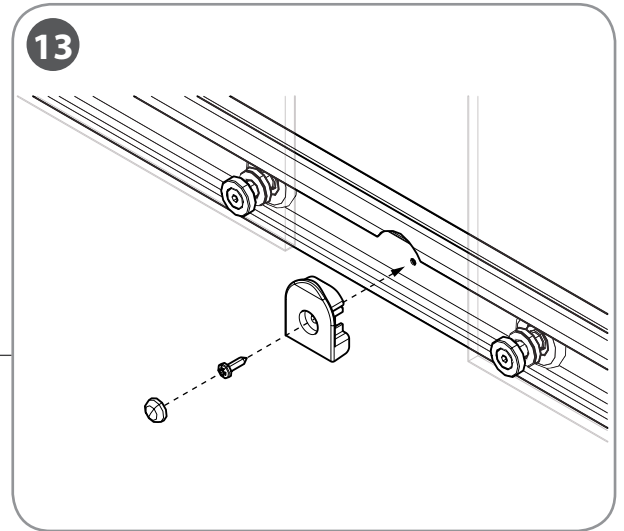
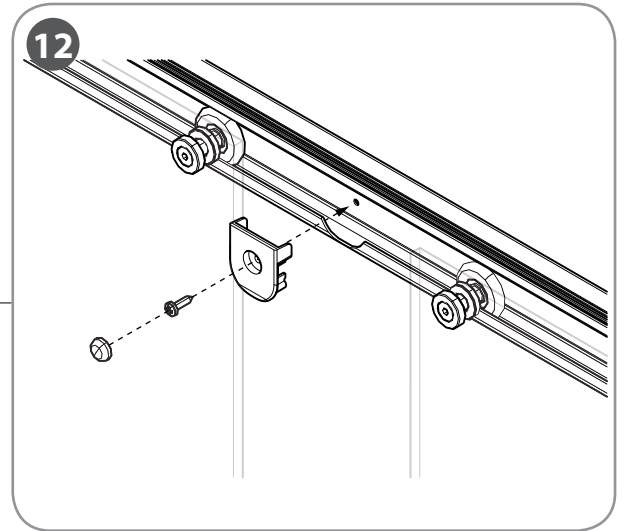
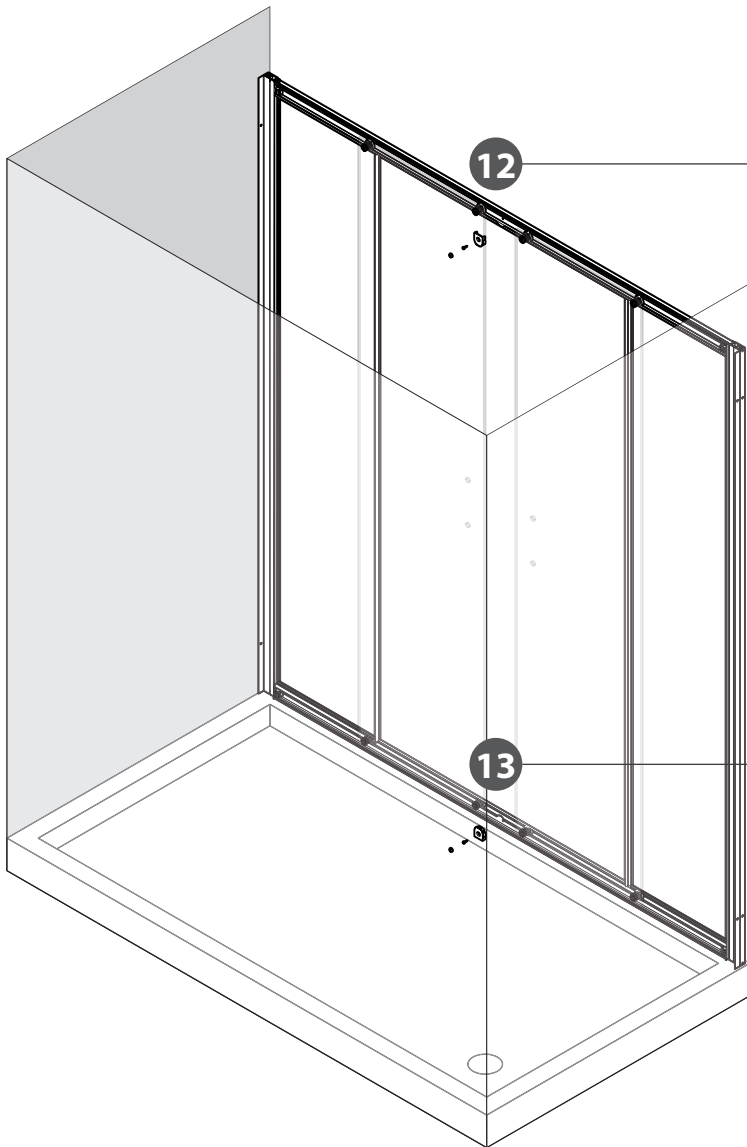


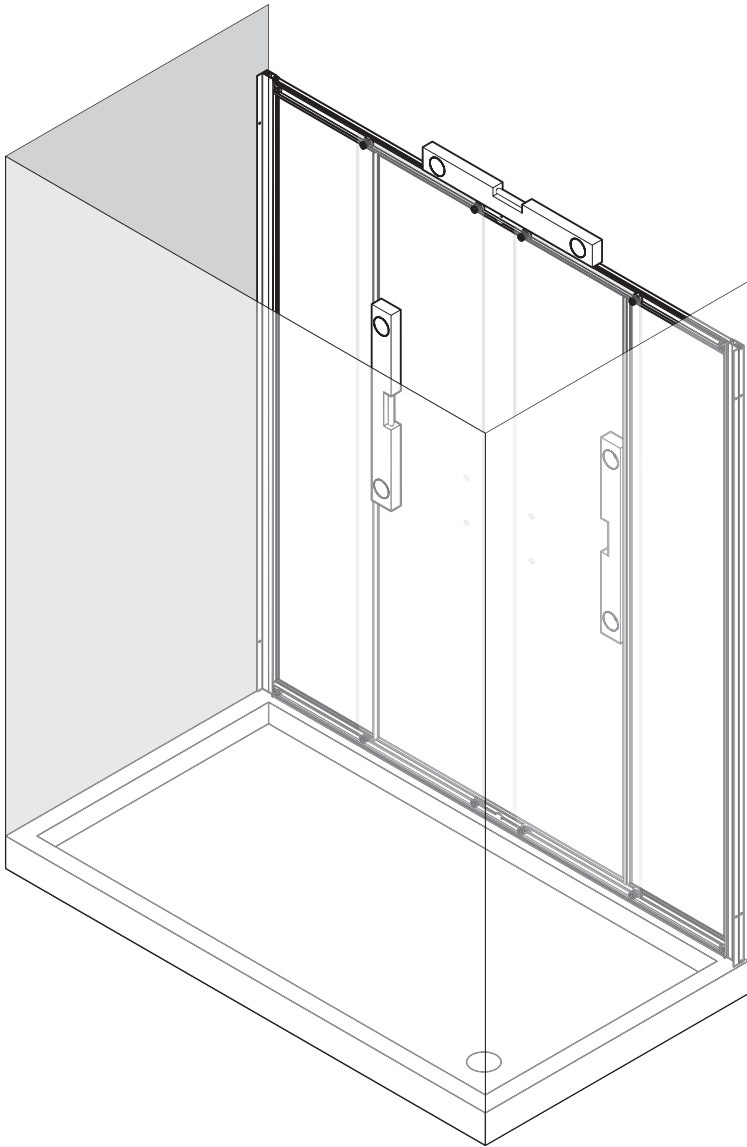
**C2** x2  
4X35 mm

**C1** x2

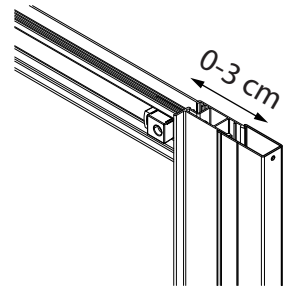
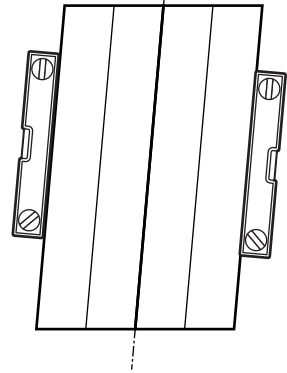
**C6** x2



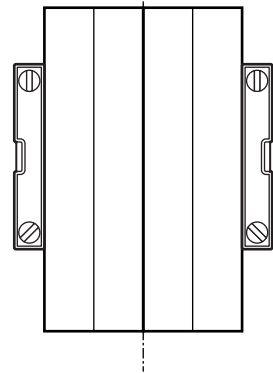


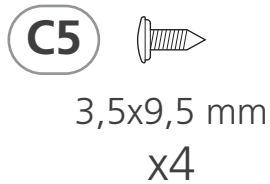
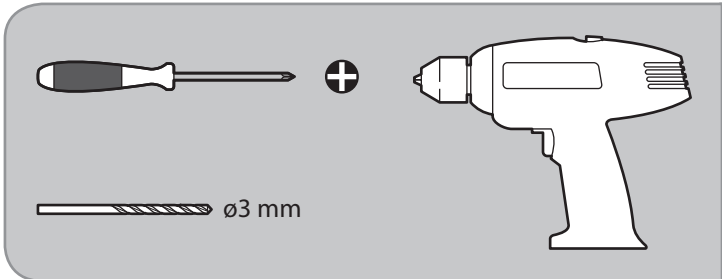
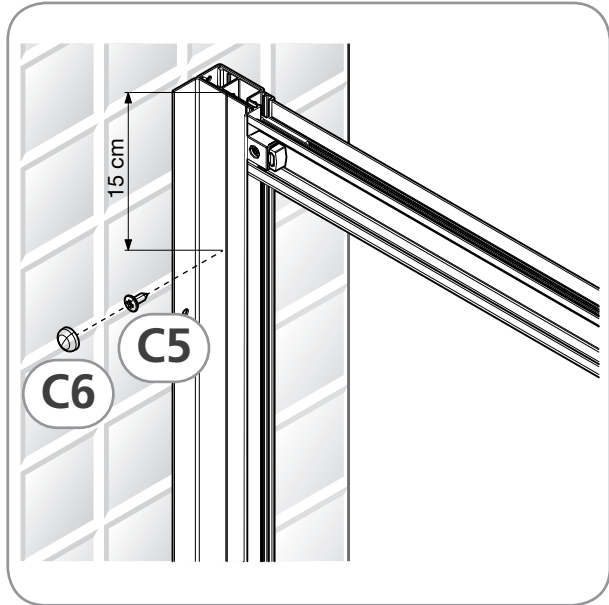
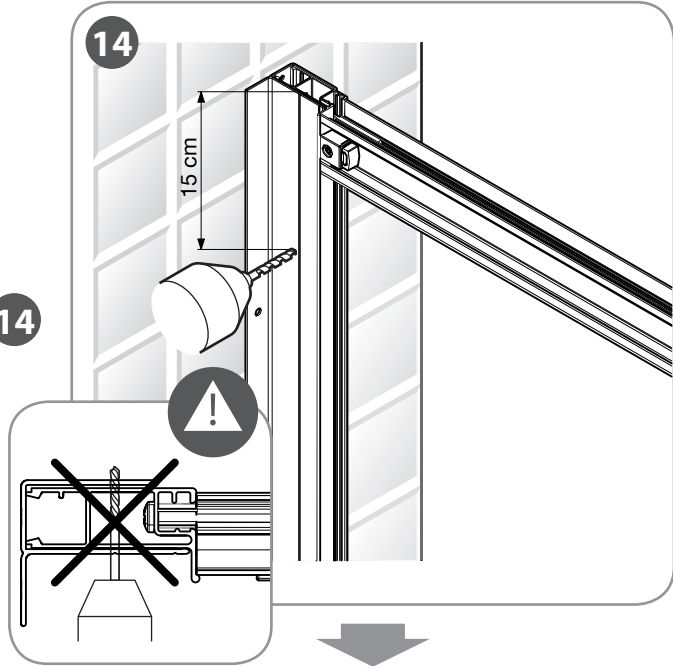
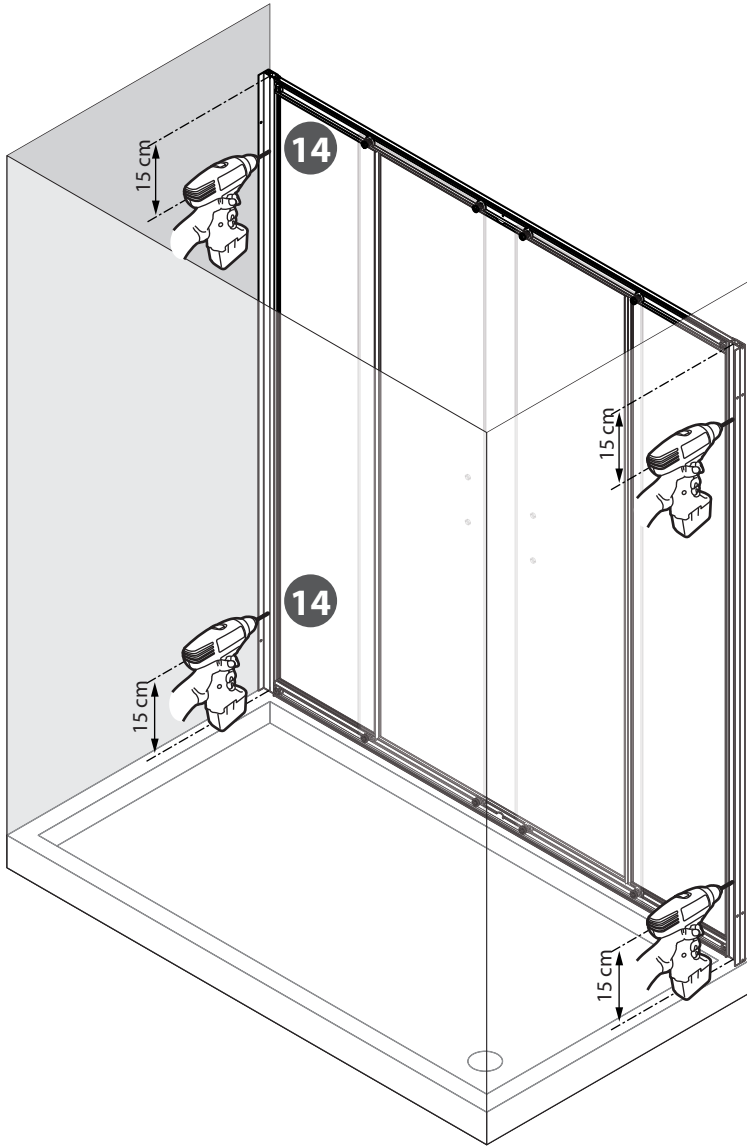


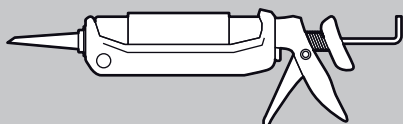
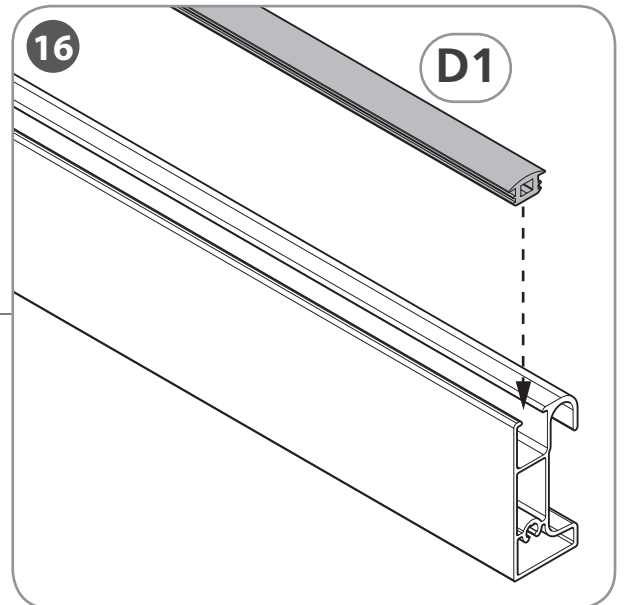
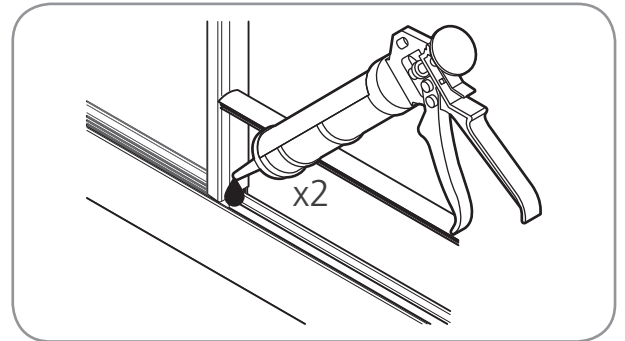
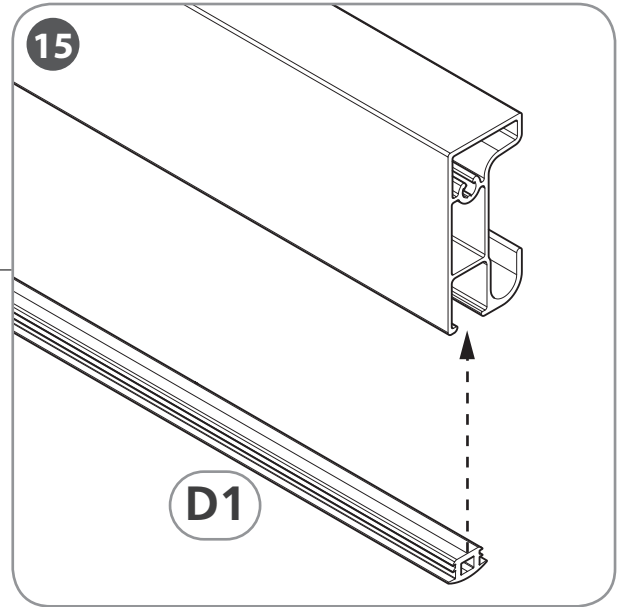
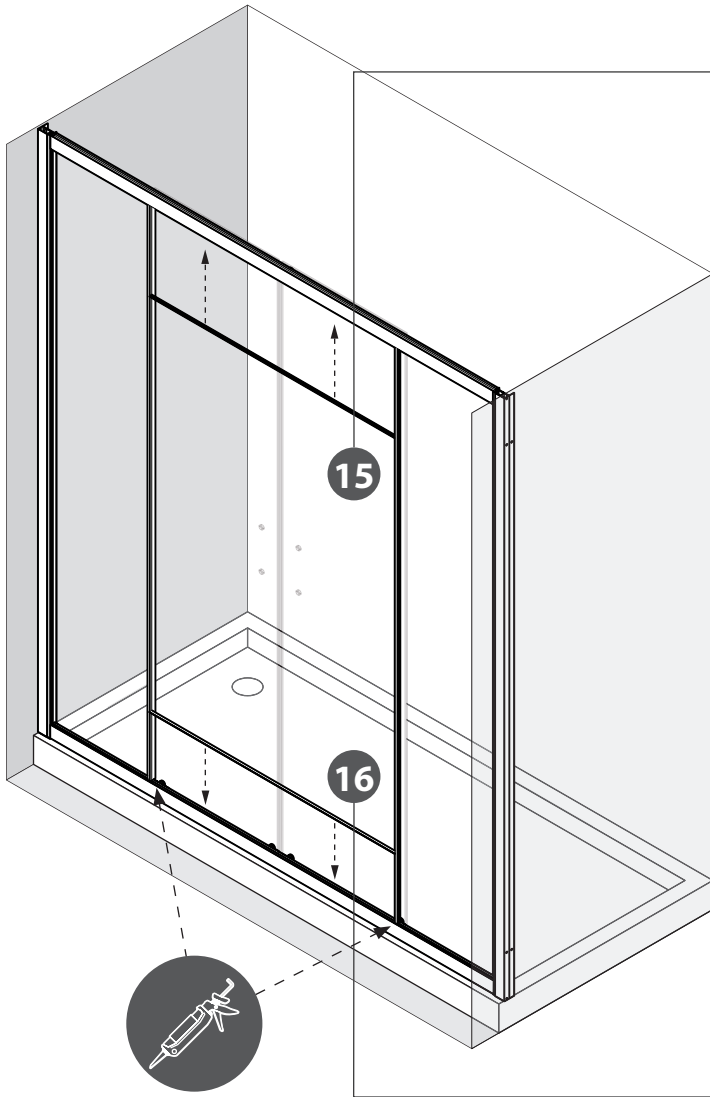
No!



OK



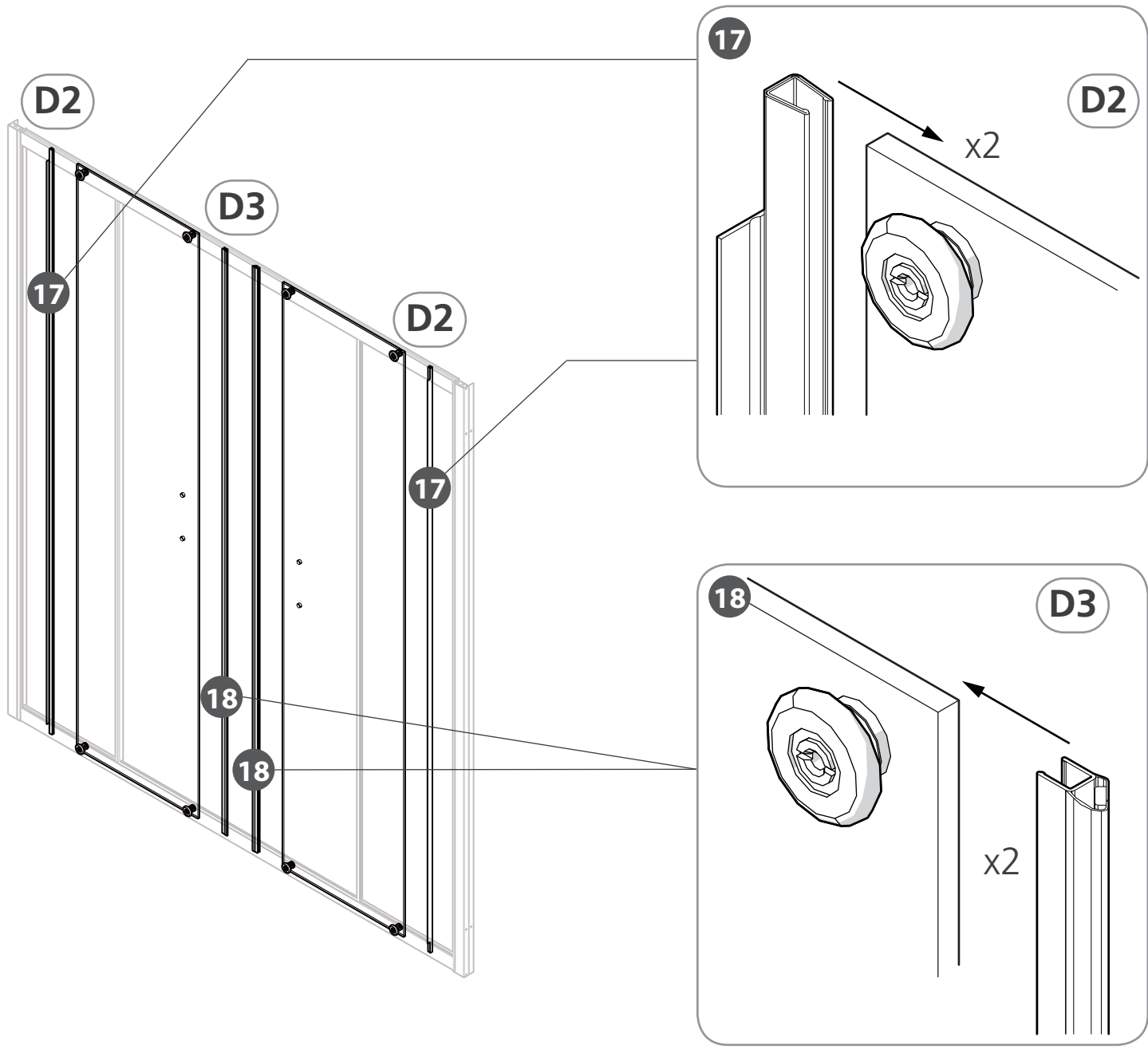




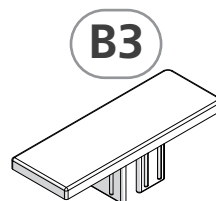
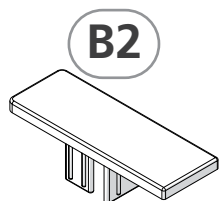
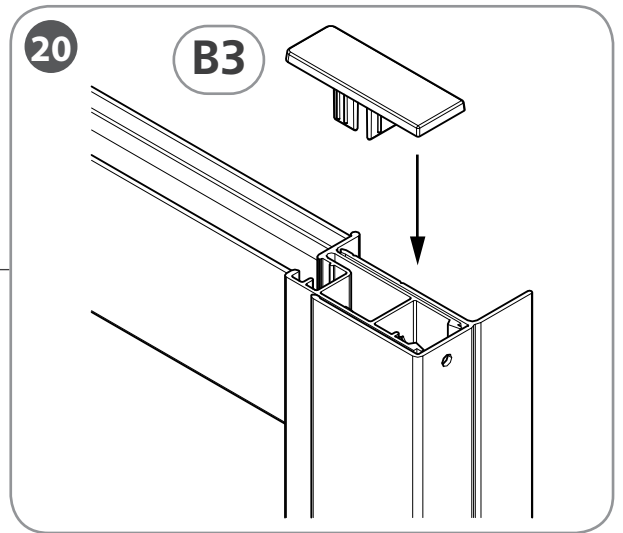
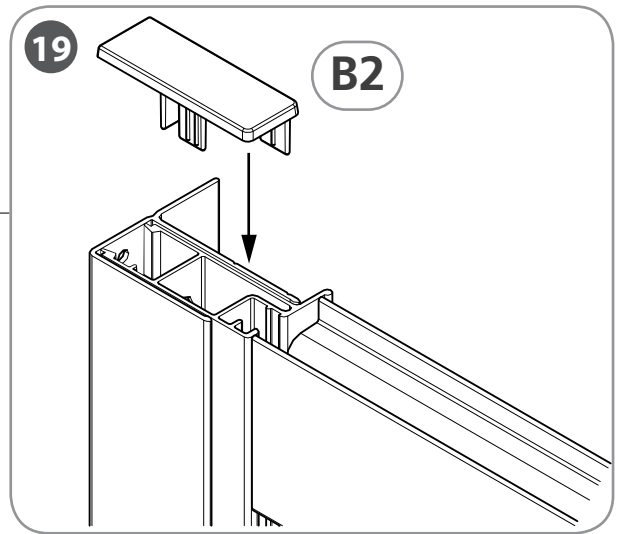
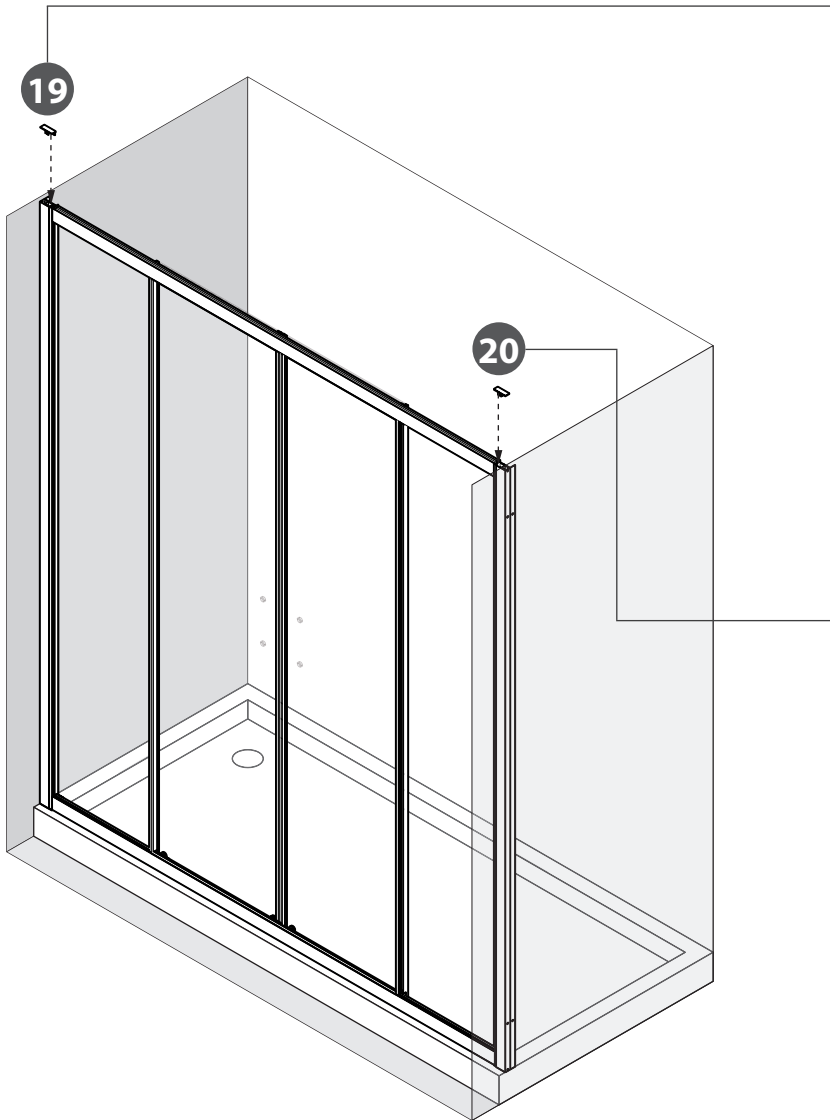
D1



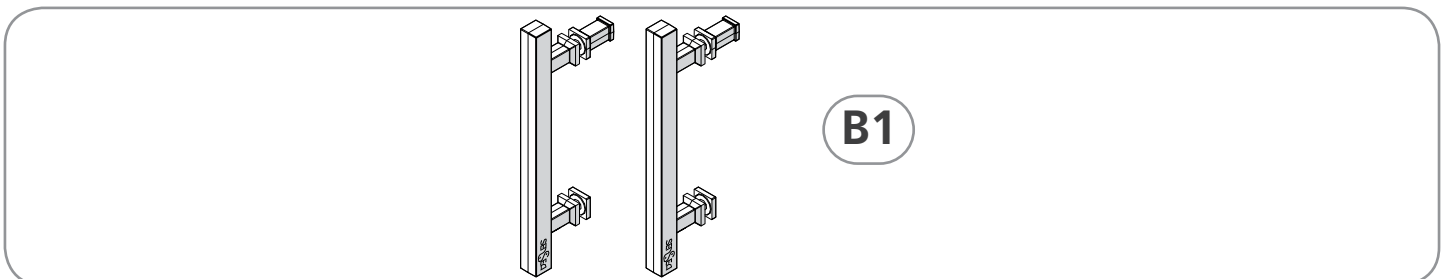
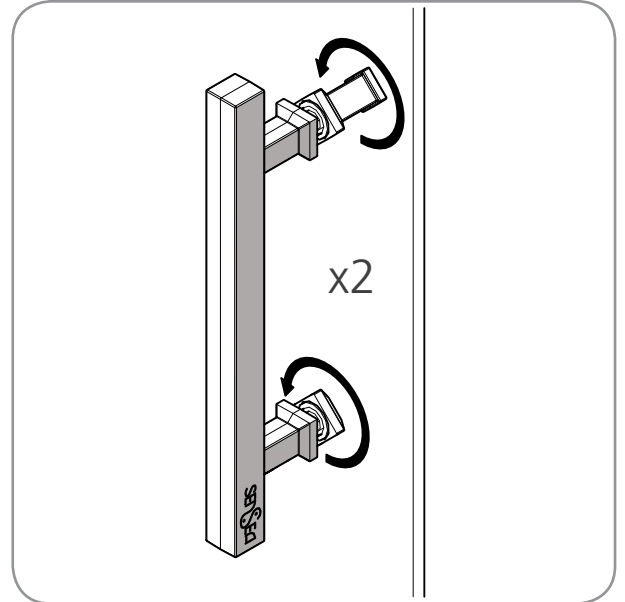
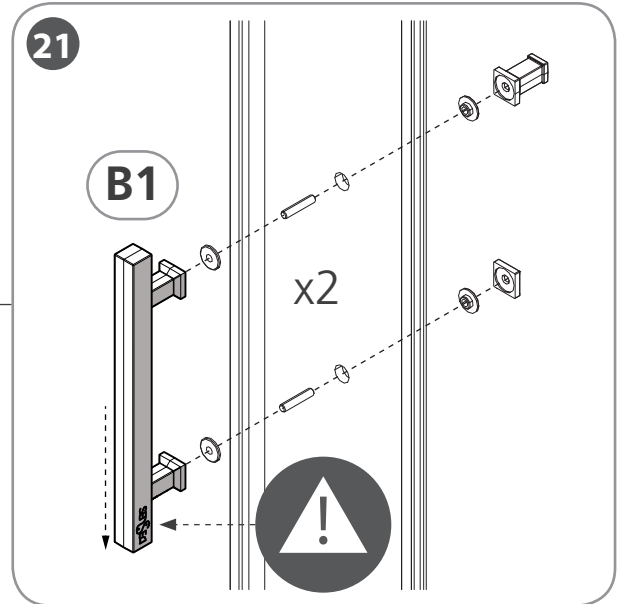
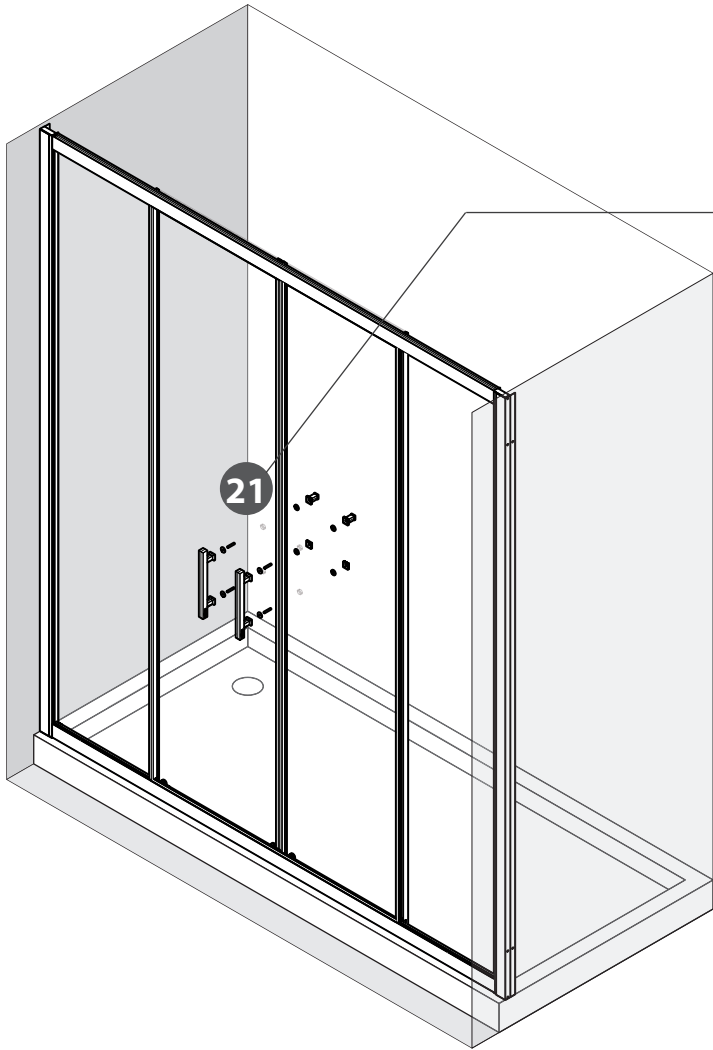
x2

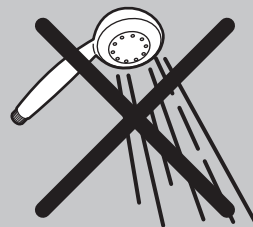
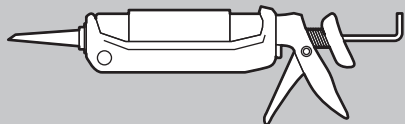
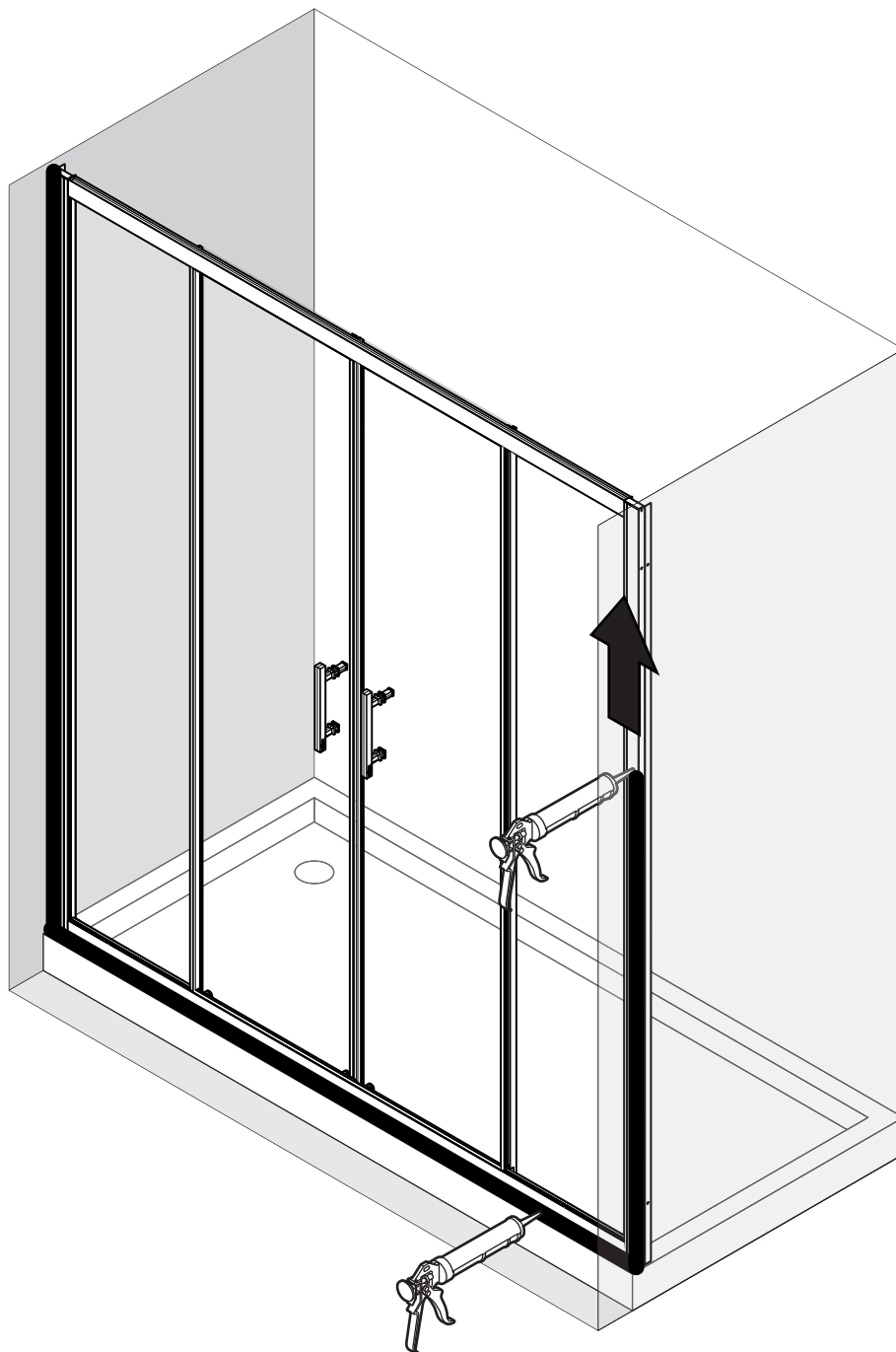


- D2**  h 1884 mm
- D3** 









Note:

---

---

---

---

---

---

---

---

---

---

---

---

---

---

---

---

---

---

---

---

---

---

---

---

---

---

---

---

---

---

- ELYT2A146
- ELYT2A152
- ELYT2A158
- ELYT2A164
- ELYT2A170
- ELYT2A176

